

SUNROOF LID

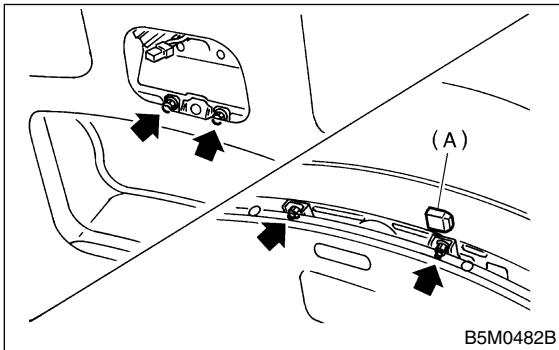
Sunroof/T-top/Convertible Top (Sunroof)

3. Sunroof Lid S910536

A: REMOVAL S910536A18

1. WAGON (FRONT) S910536A1801

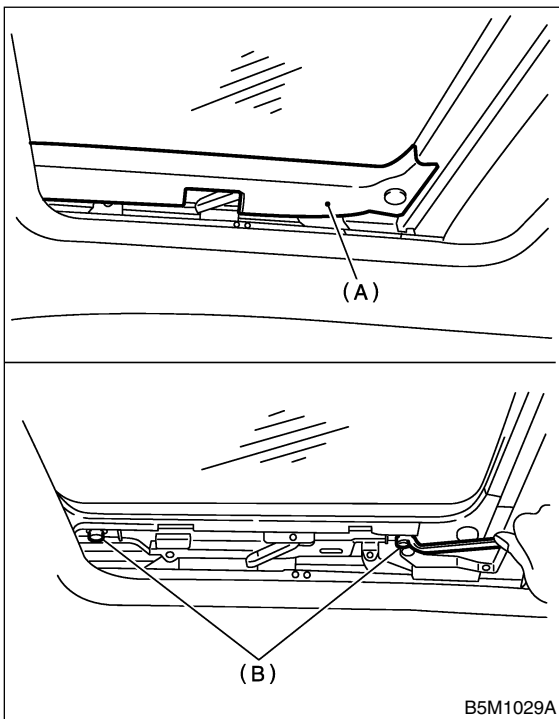
- 1) Tilt-up the front sunroof (most upper position).
- 2) Remove sunroof switch. <Ref. to SR-14, REMOVAL, Sunroof Switch.>
- 3) Remove two mounting bolts.
- 4) Detach covers (A) then remove two nuts from tilt-up assembly.



- 5) Remove the sunroof lid carefully.

2. SEDAN AND WAGON (REAR) S910536A1802

- 1) Completely close rear sunroof lid and open sunshade.
- 2) Remove covers (A) then remove nuts (B).

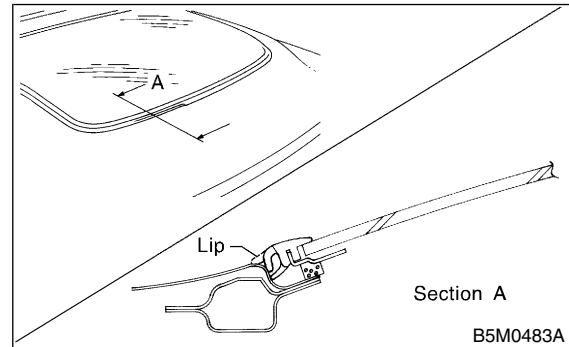


- 3) Remove the sunroof lid carefully.

B: INSTALLATION S910536A11

Install in the reverse order of removal.

CAUTION:
When installing sunroof lid, be careful not to pinch the lip of lid.



C: ADJUSTMENT S910536A01

1. ALIGNMENT OF HEIGHT BETWEEN SUNROOF LID AND ROOF PANEL S910536A0101

Loosen sunroof lid installation nuts and then adjust height by adding (max: two pieces) or extracting (max: one piece) shims (standard: one piece) between sunroof lid and body.

Difference in height between sunroof lid and roof panel: L

L: 2.0 ± 0.5 mm (0.079 ± 0.020 in)

