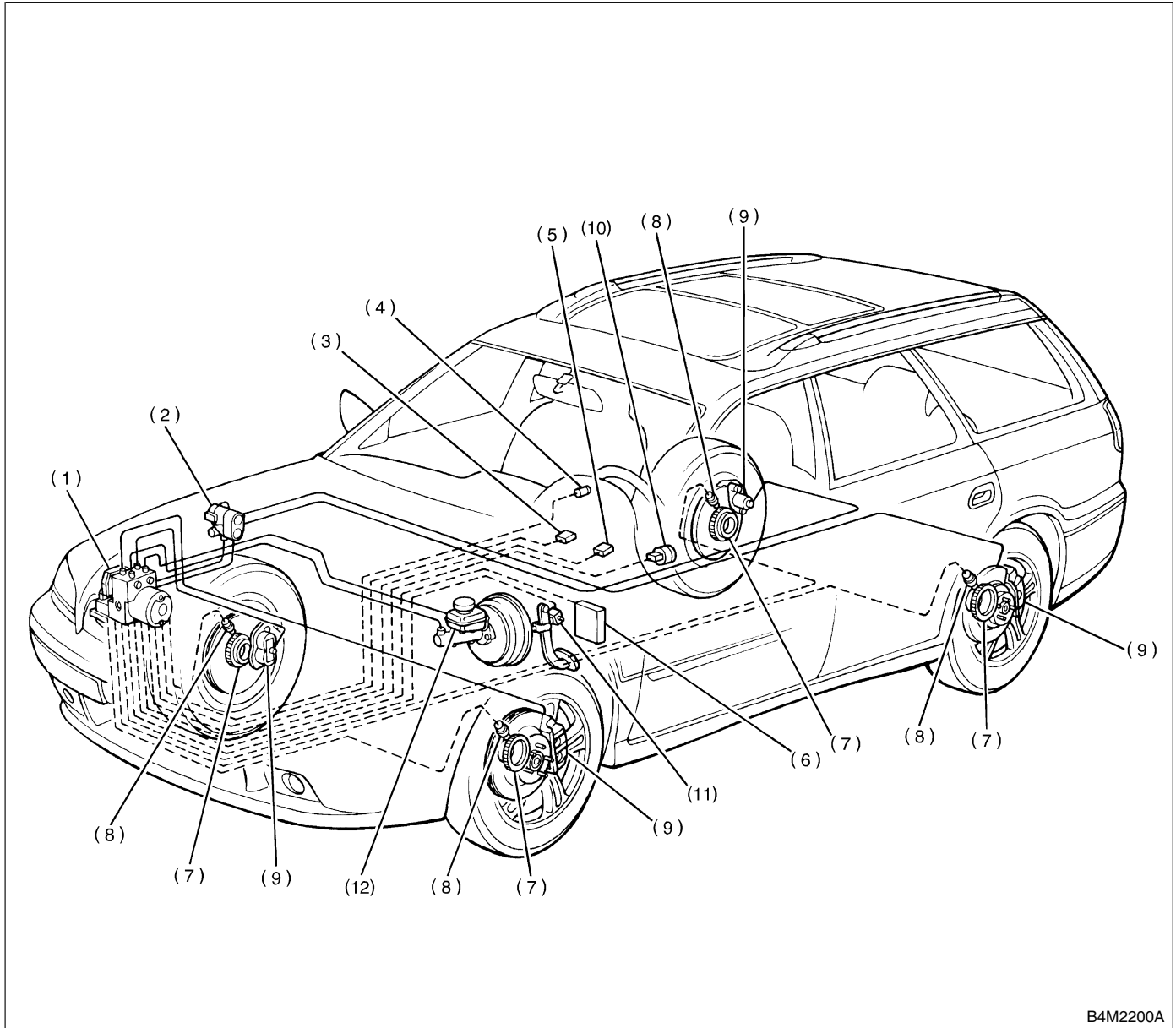


ELECTRICAL COMPONENTS LOCATION

ABS (Diagnostics)

4. Electrical Components Location S006507

A: LOCATION S006507A13



B4M2200A

- (1) ABS control module and hydraulic control unit (ABSCM&H/U)
- (2) Proportioning valve
- (3) Diagnosis connector
- (4) ABS warning light

- (5) Data link connector (for Subaru select monitor)
- (6) Transmission control module (only AT vehicle)
- (7) Tone wheel

- (8) ABS sensor
- (9) Wheel cylinder
- (10) G sensor
- (11) Stop light switch
- (12) Master cylinder

ELECTRICAL COMPONENTS LOCATION

ABS (Diagnostics)

