

RADIATOR MAIN FAN AND FAN MOTOR

Cooling

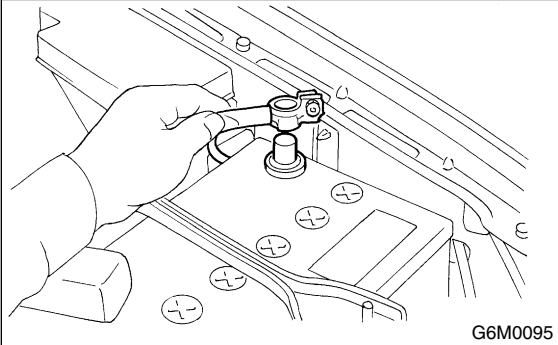
9. Radiator Main Fan and Fan Motor

S176059

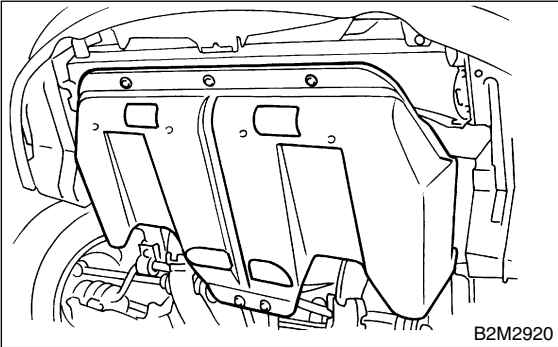
A: REMOVAL

S176059A18

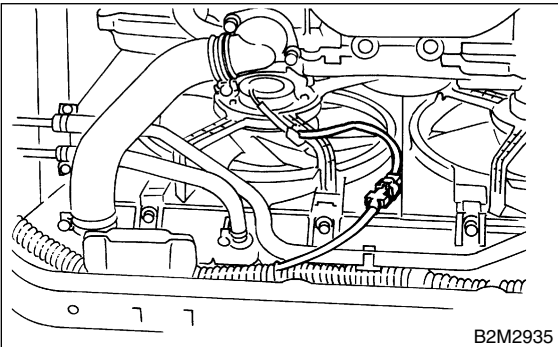
- 1) Disconnect battery ground cable.



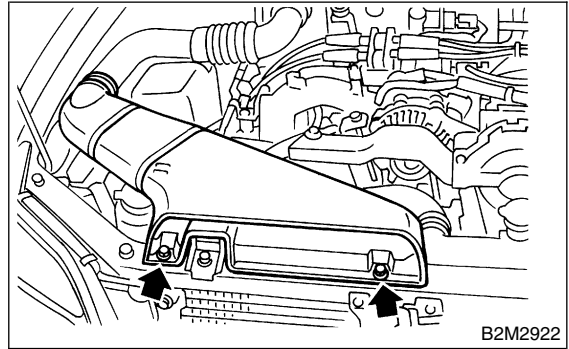
- 2) Lift-up the vehicle.
- 3) Remove under cover.



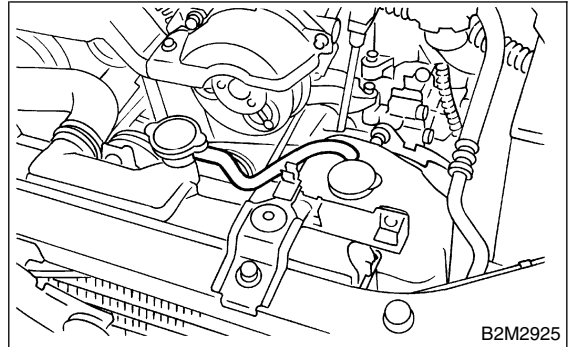
- 4) Disconnect connector of main fan motor.



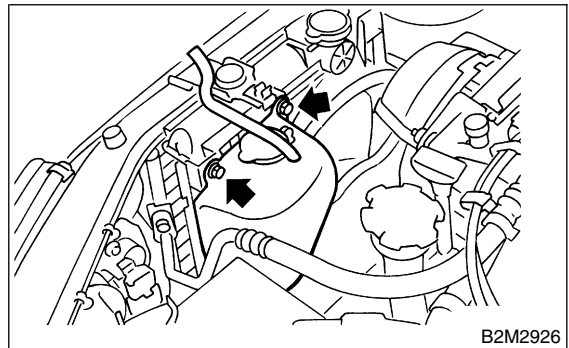
- 5) Lower the vehicle.
- 6) Remove air intake duct.



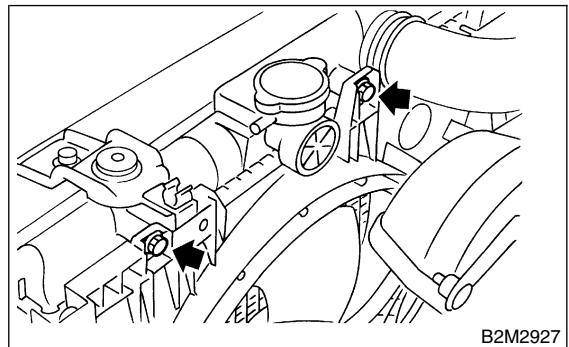
- 7) Disconnect overflow hose.



- 8) Remove reservoir tank.



- 9) Remove radiator main fan motor assembly.

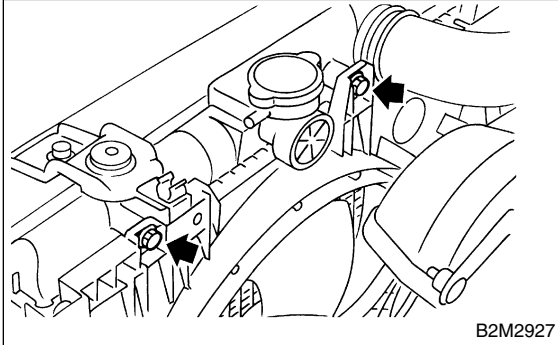


B: INSTALLATION S176059A11

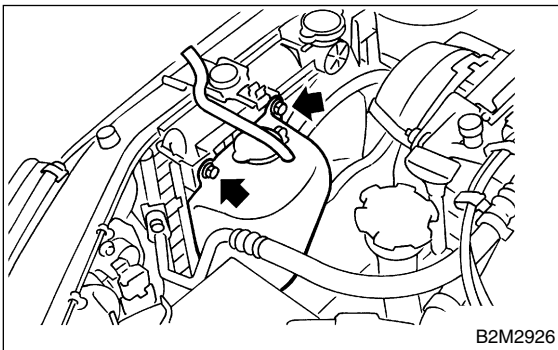
Install in the reverse order of removal.

NOTE:

When the main fan motor assembly cannot be installed as is, loosen the sub fan motor assembly securing bolts to install it.

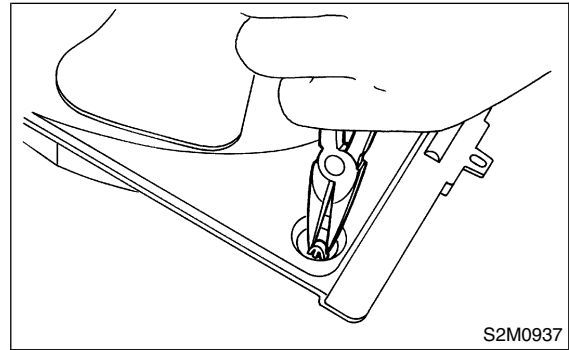


Tightening torque:
4.9 N·m (0.50 kgf·m, 3.6 ft·lb)

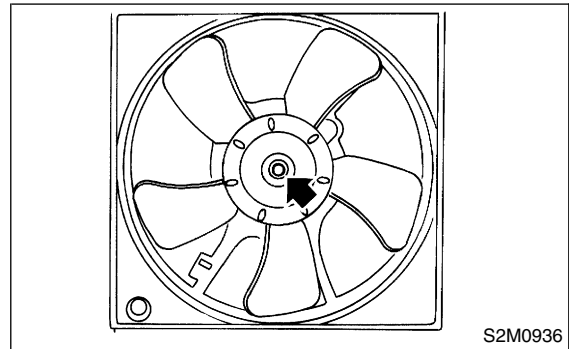


C: DISASSEMBLY S176059A06

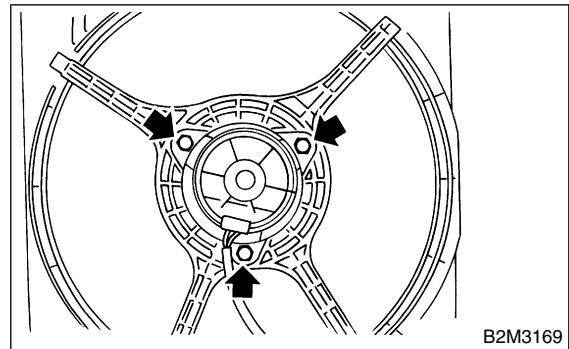
1) Remove clip which holds motor connector onto shroud.



2) Remove nut which holds fan itself onto fan motor and shroud assembly.



3) Remove bolts which install fan motor onto shroud.



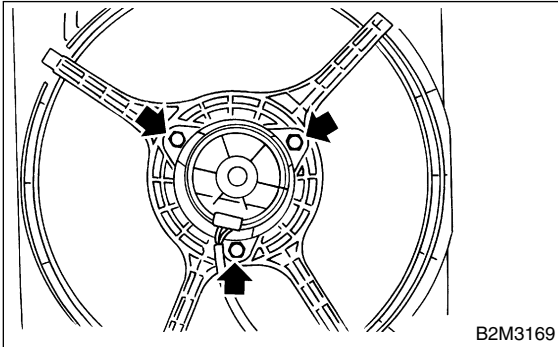
RADIATOR MAIN FAN AND FAN MOTOR

Cooling

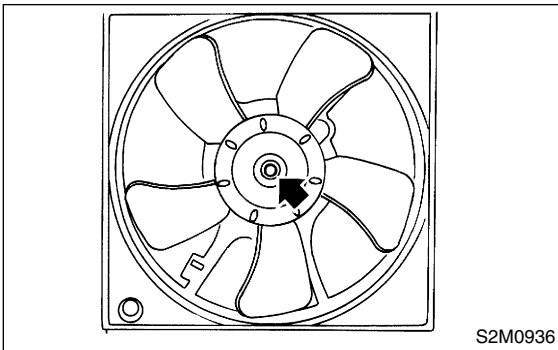
D: ASSEMBLY S176059A02

Assemble in the reverse order of disassembly.

Tightening torque:
4.4 N·m (0.45 kgf·m, 3.3 ft-lb)



Tightening torque:
3.4 N·m (0.35 kgf·m, 2.5 ft-lb)



E: INSPECTION S176059A10

- 1) Connect battery positive (+) terminal to terminal No. 2, and negative (-) terminal to terminal No. 1 of main fan motor connector.
- 2) Make sure the main fan motor operates properly. Replace it if it doesn't.

