

# ELECTRICAL COMPONENTS LOCATION

Engine (Diagnostics)

## 4. Electrical Components Location

S078507

### A: LOCATION

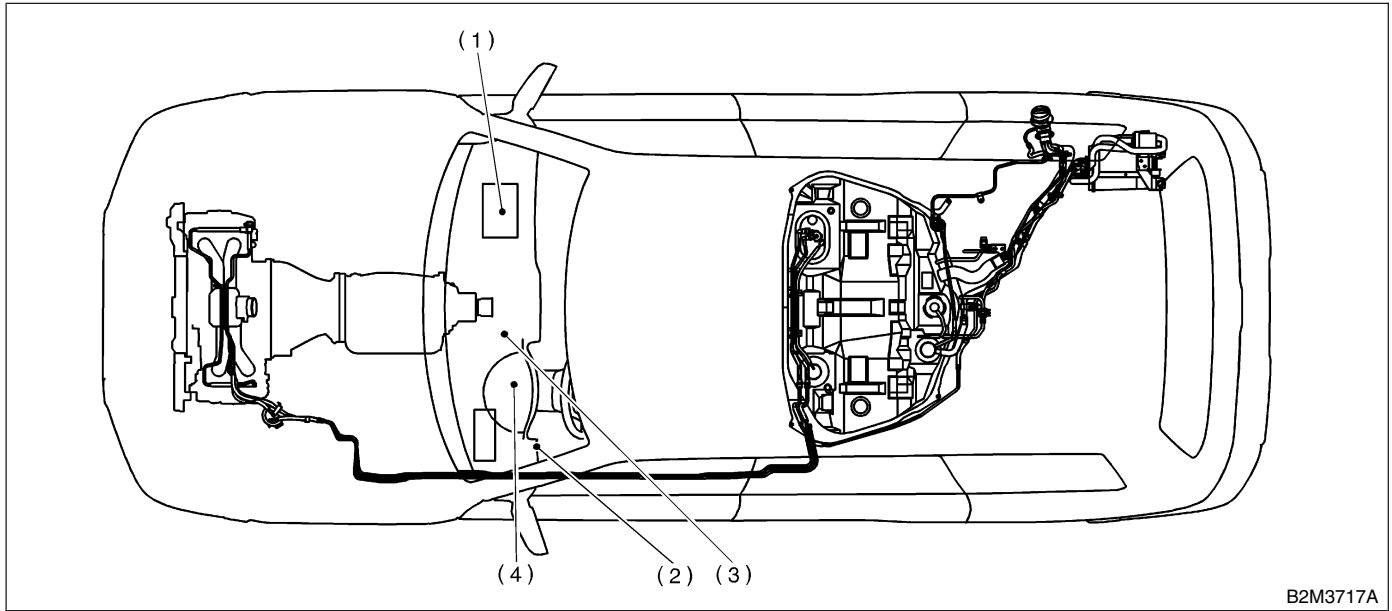
S078507A13

#### 1. ENGINE

S078507A1301

#### ● MODULE

S078507A130101

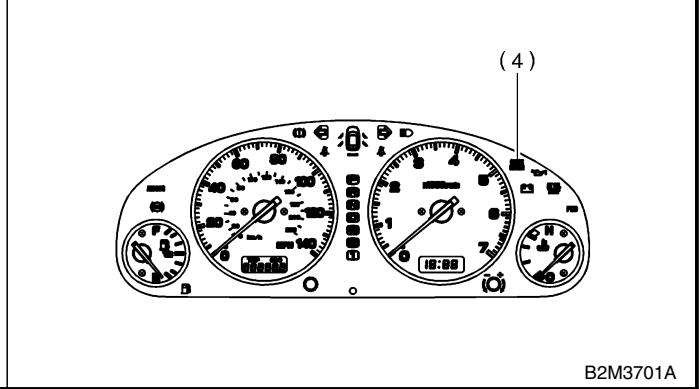
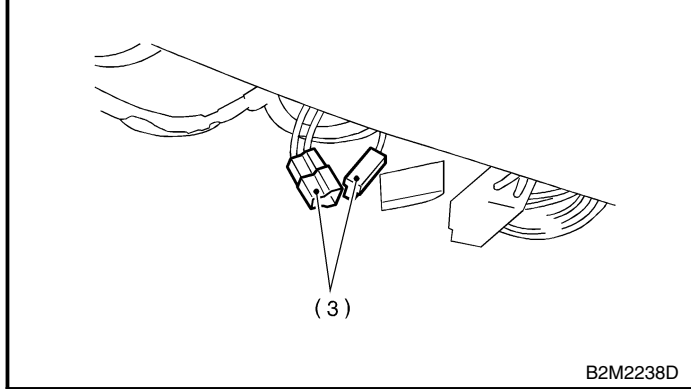
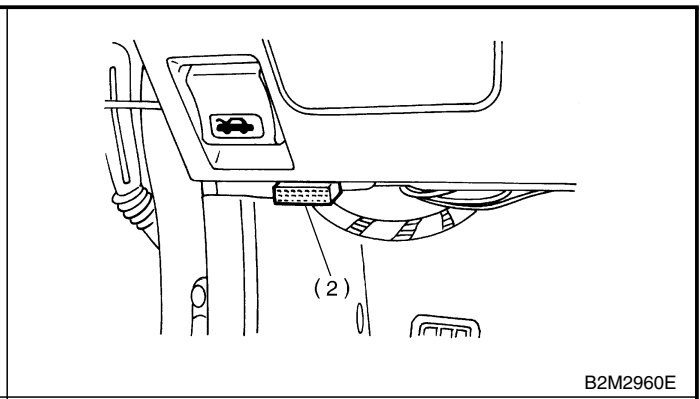
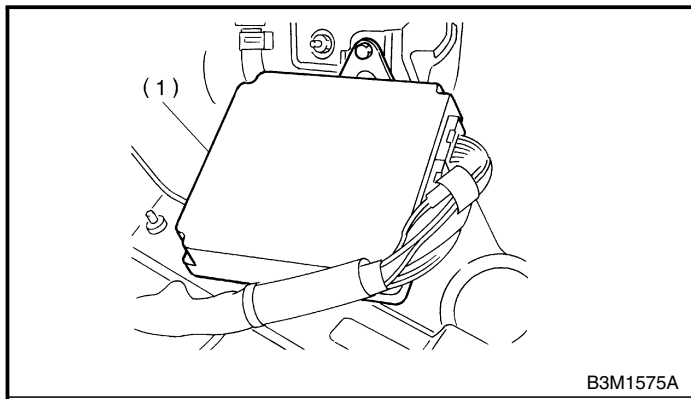


B2M3717A

- |  |   |
|--|---|
| (1) Engine control module (ECM)  | (3) Test mode connector                           |
| (2) Data link connector (for Subaru Select Monitor and OBD-II general scan tool) | (4) CHECK ENGINE malfunction indicator lamp (MIL) |

# ELECTRICAL COMPONENTS LOCATION

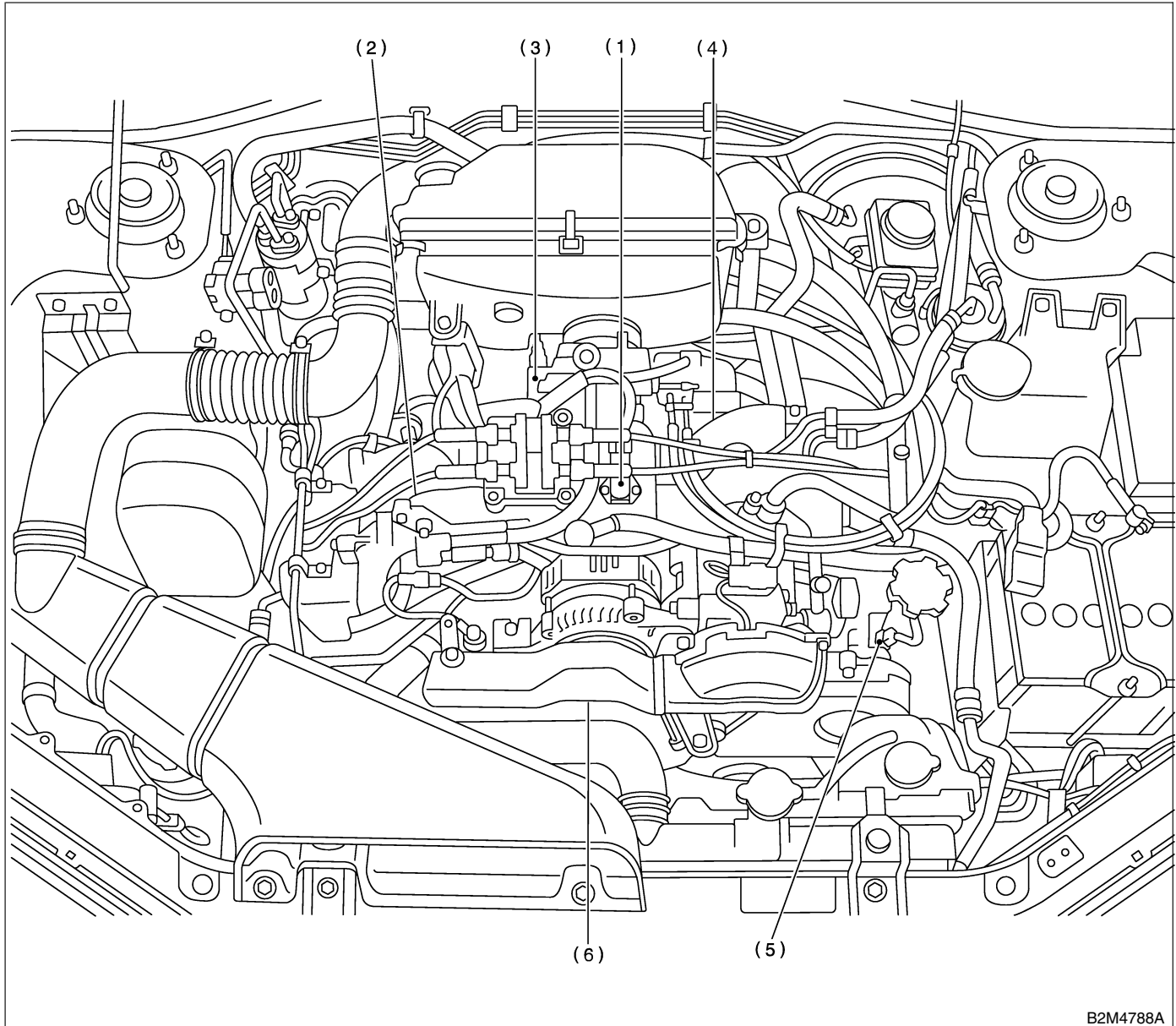
Engine (Diagnostics)



# ELECTRICAL COMPONENTS LOCATION

Engine (Diagnostics)

## ● SENSOR S078507A130102

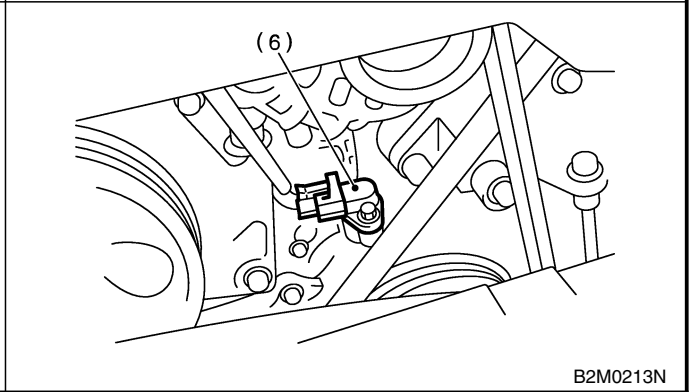
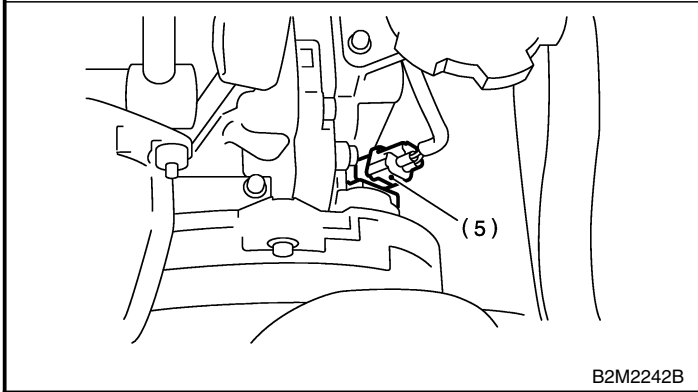
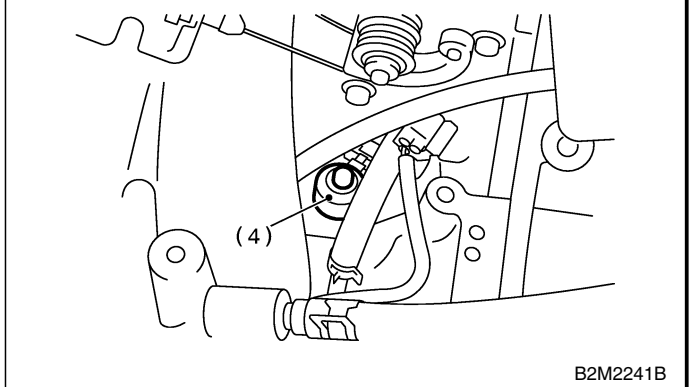
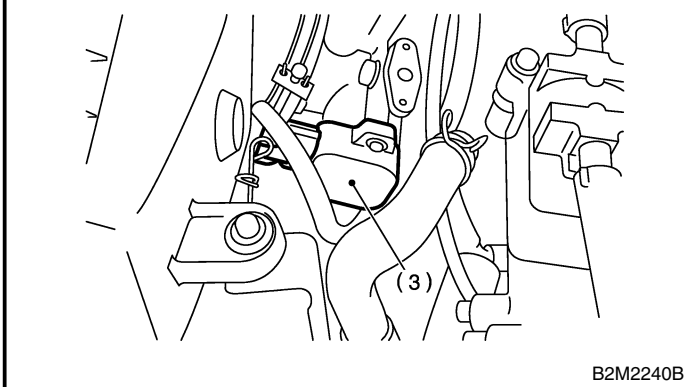
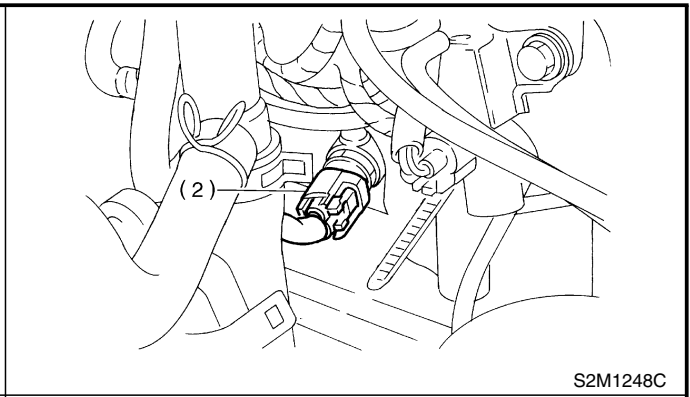
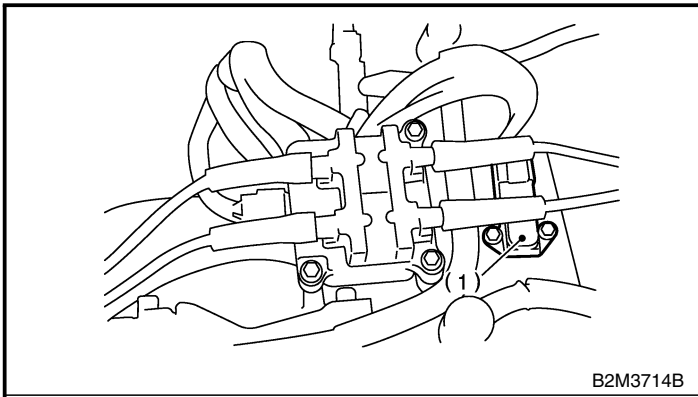


B2M4788A

- |  |                                |
|--|--------------------------------|
| (1) Intake air temperature and pressure sensor | (3) Throttle position sensor   |
| (2) Engine coolant temperature sensor          | (4) Knock sensor               |
|  | (5) Camshaft position sensor   |
|  | (6) Crankshaft position sensor |

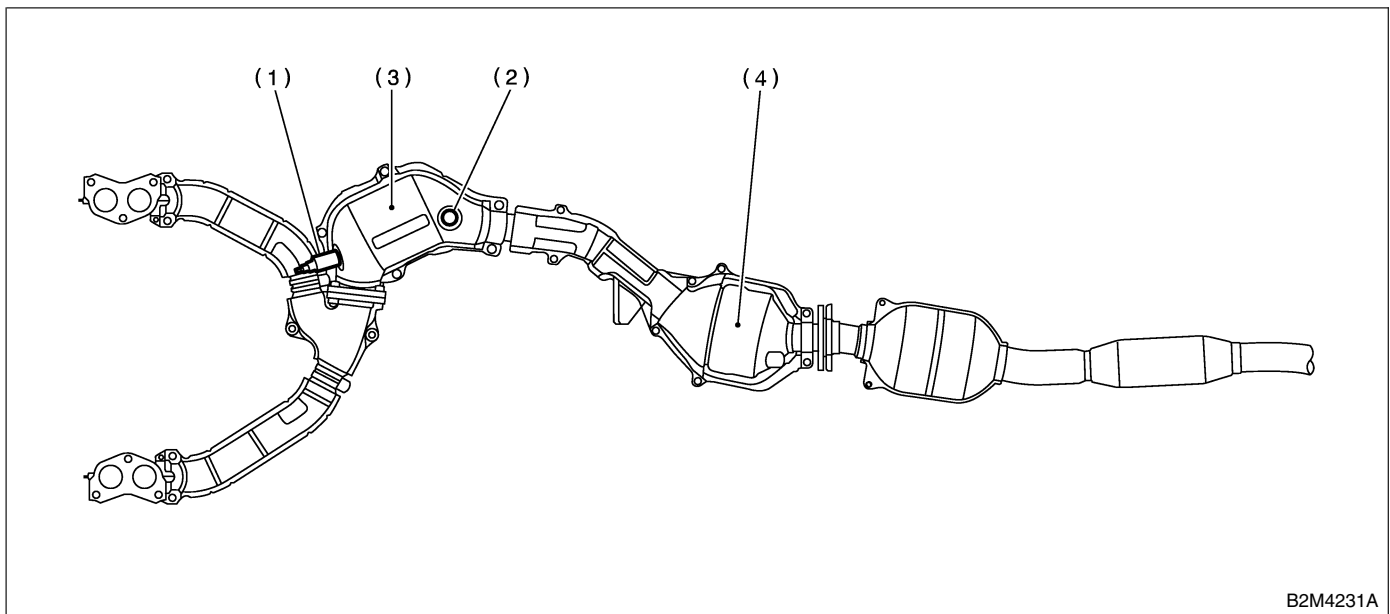
# ELECTRICAL COMPONENTS LOCATION

Engine (Diagnostics)



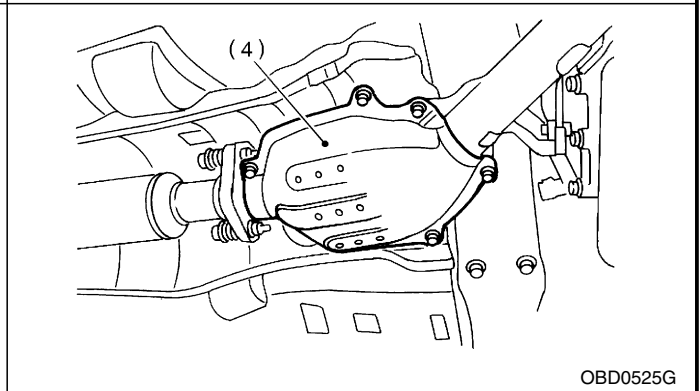
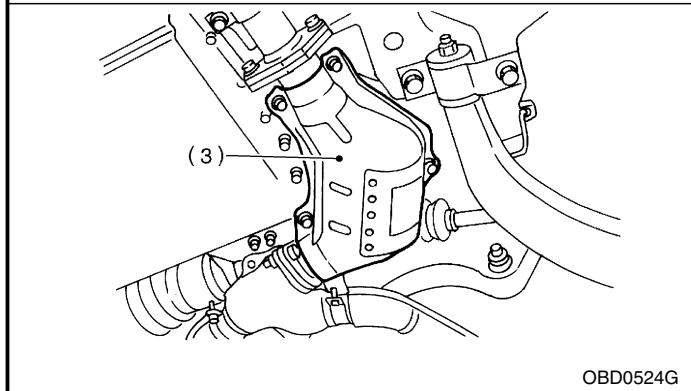
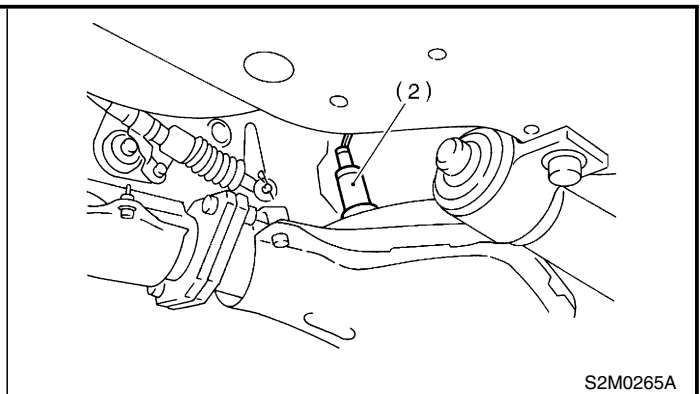
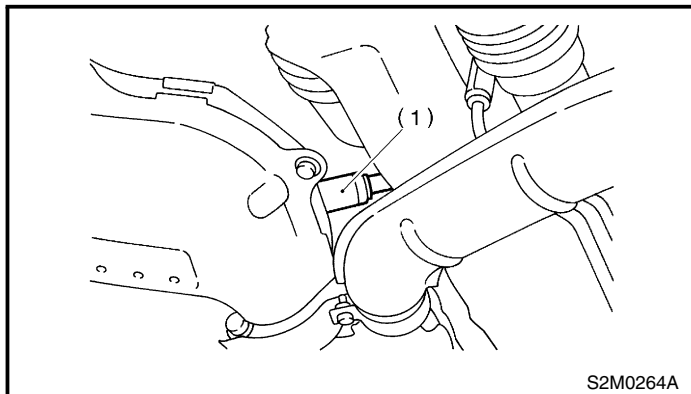
# ELECTRICAL COMPONENTS LOCATION

Engine (Diagnostics)



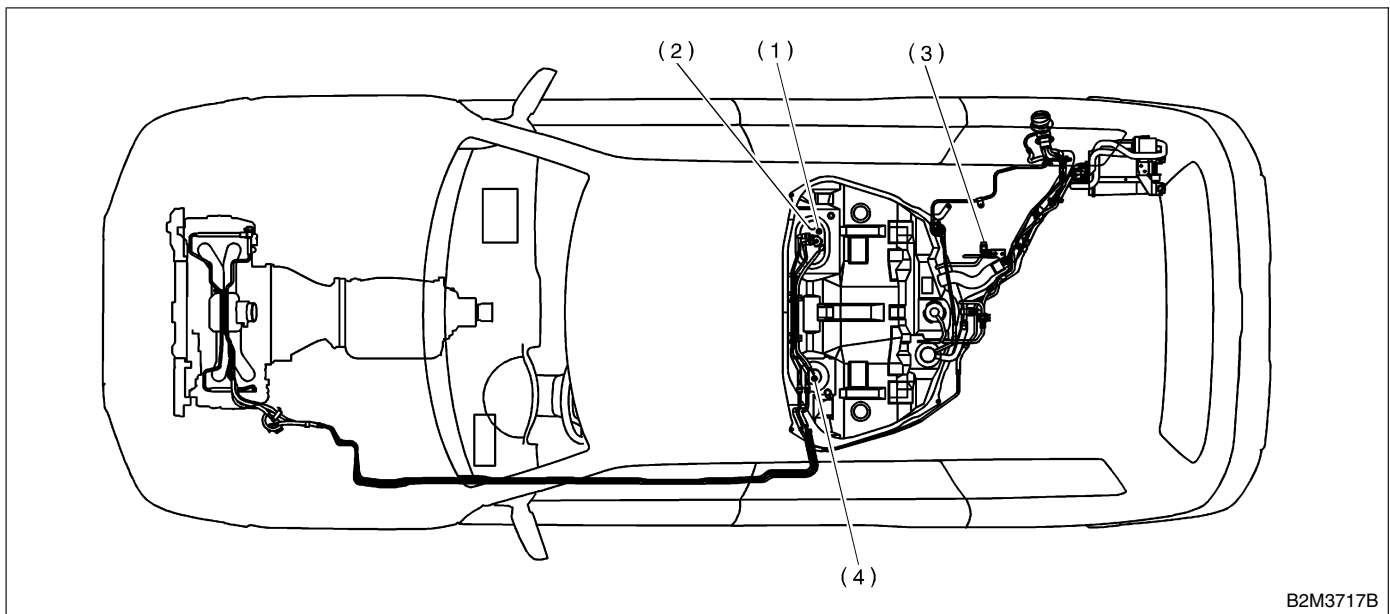
- (1) Front oxygen (A/F) sensor
- (2) Rear oxygen sensor

- (3) Front catalytic converter
- (4) Rear catalytic converter

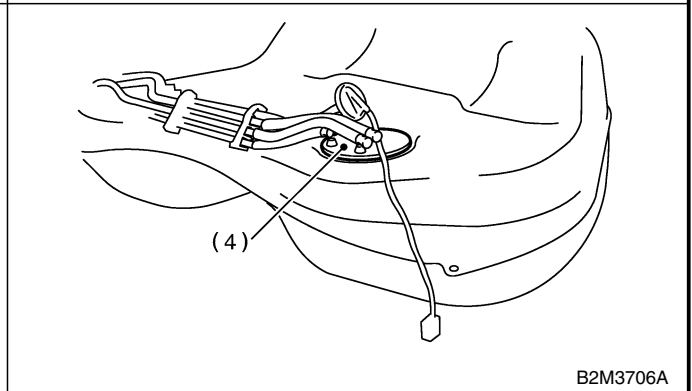
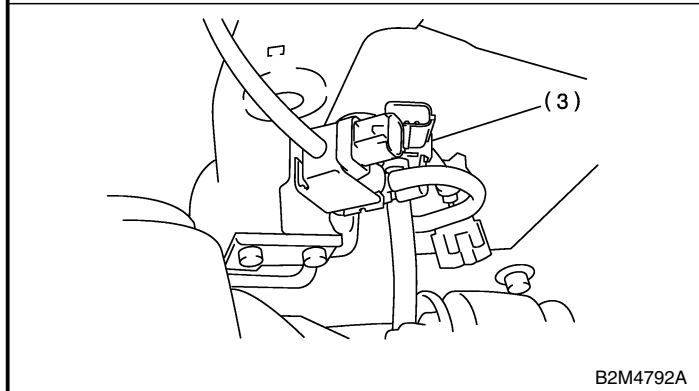
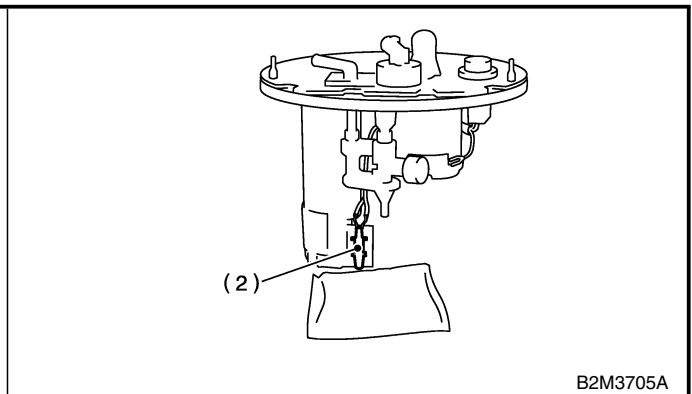
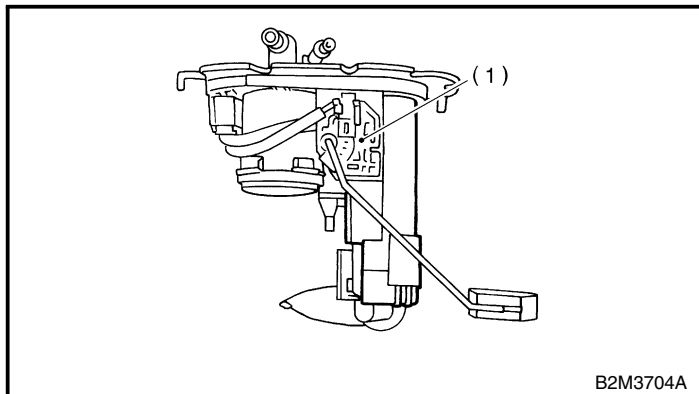


# ELECTRICAL COMPONENTS LOCATION

Engine (Diagnostics)



- (1) Fuel level sensor
- (2) Fuel temperature sensor
- (3) Fuel tank pressure sensor
- (4) Fuel sub level sensor

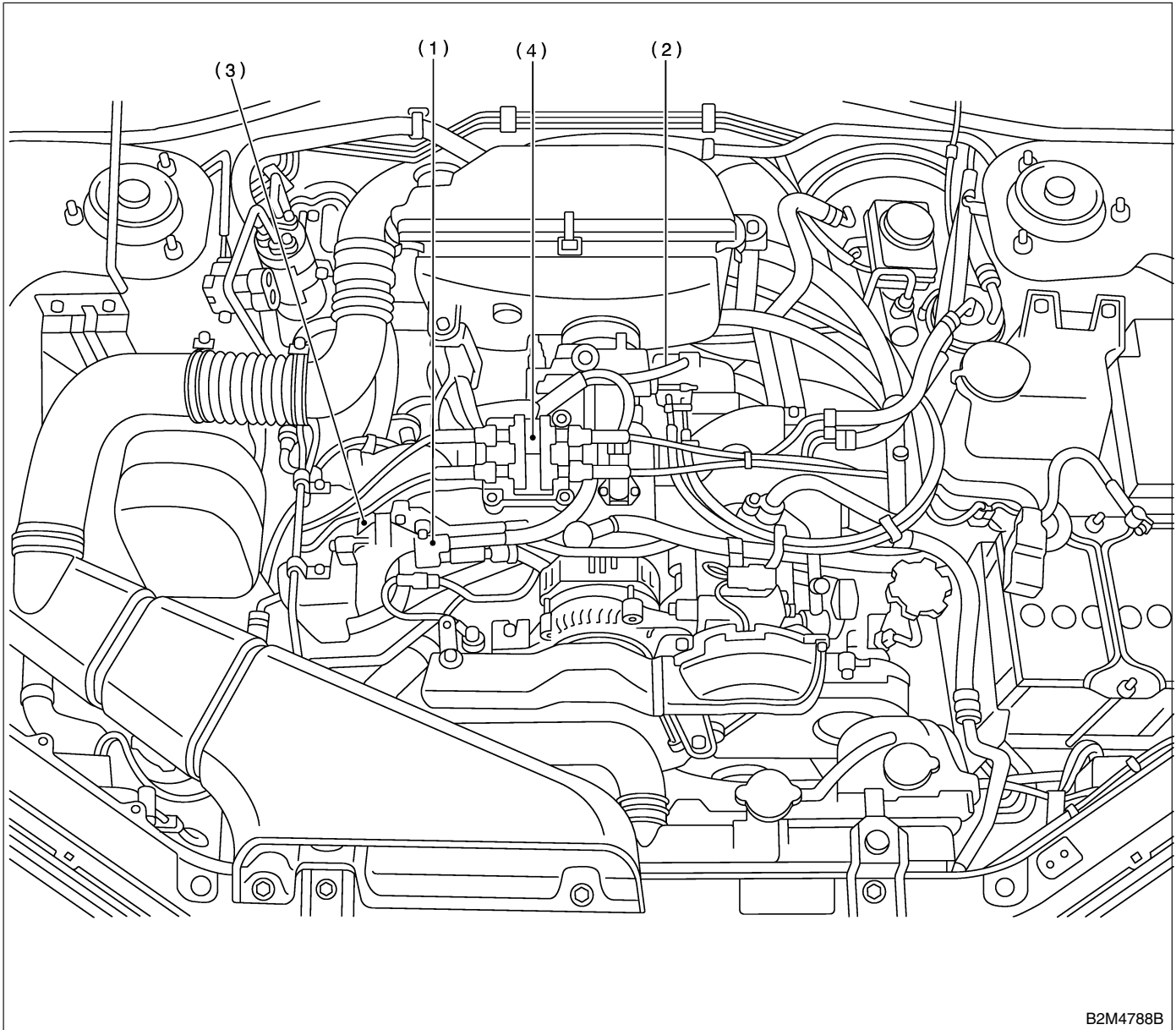


# ELECTRICAL COMPONENTS LOCATION

Engine (Diagnostics)

## ● SOLENOID VALVE, EMISSION CONTROL SYSTEM PARTS AND IGNITION SYSTEM PARTS

S078507A130103

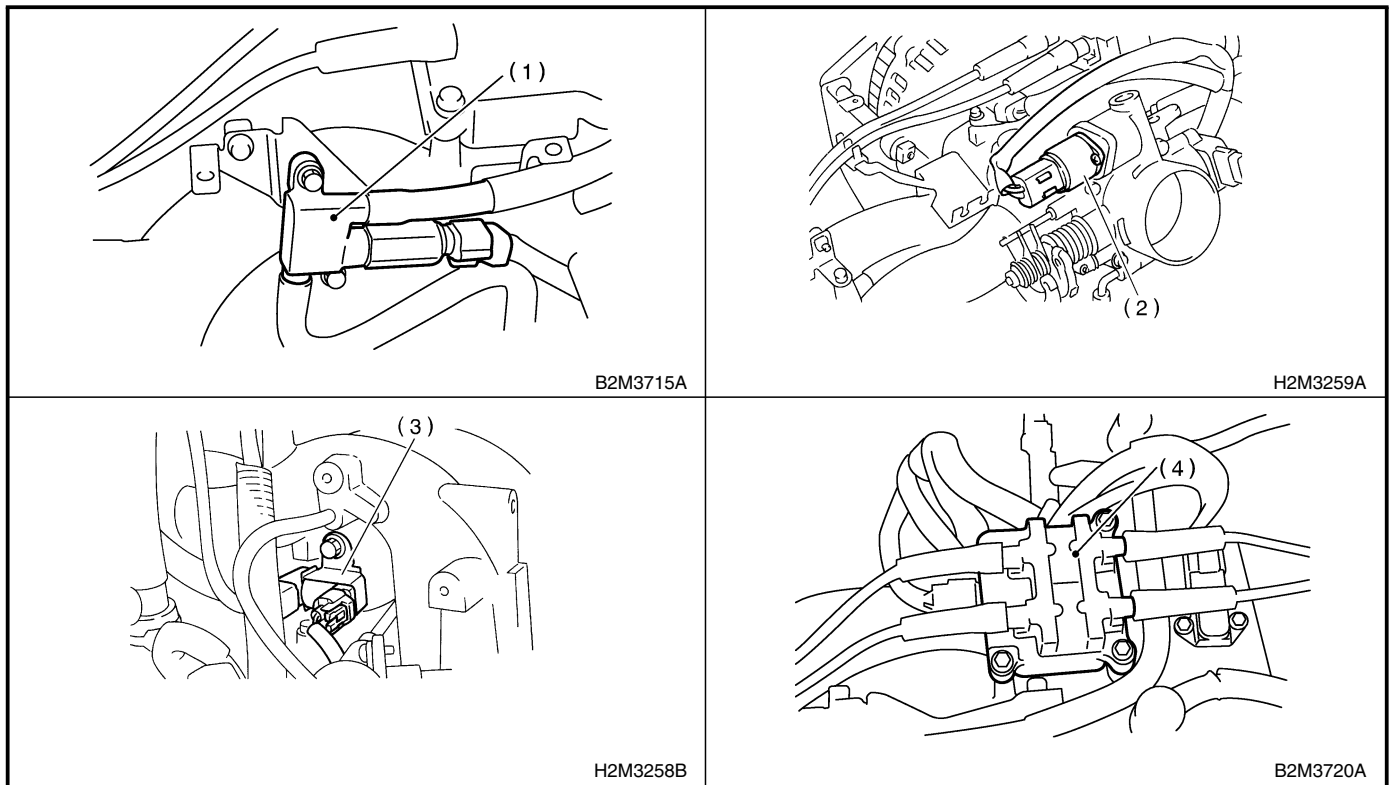


B2M4788B

- |  |                                  |
|--|----------------------------------|
| (1) Air assist injector solenoid valve | (3) Purge control solenoid valve |
| (2) Idle air control solenoid valve    | (4) Ignition coil & ignitor ASSY |

# ELECTRICAL COMPONENTS LOCATION

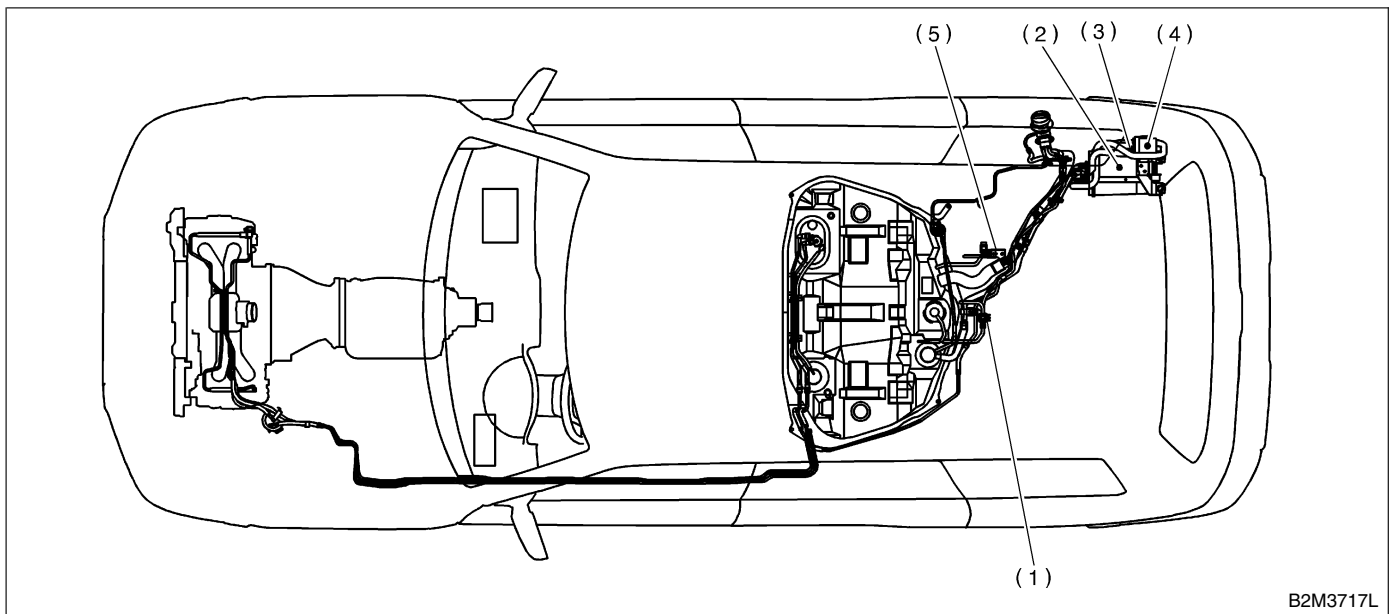
Engine (Diagnostics)





# ELECTRICAL COMPONENTS LOCATION

Engine (Diagnostics)



B2M3717L

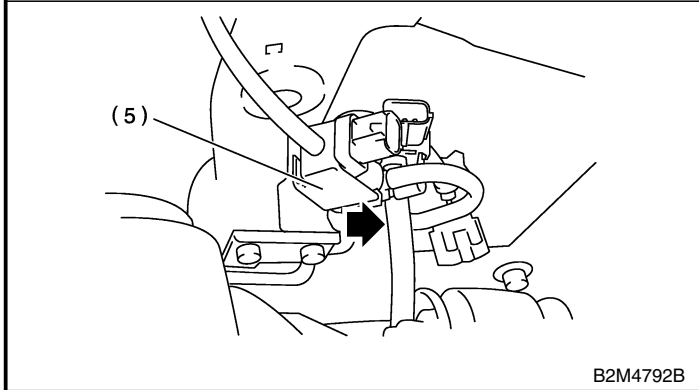
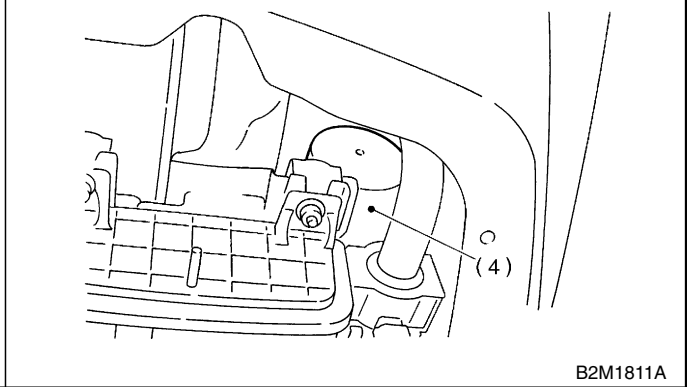
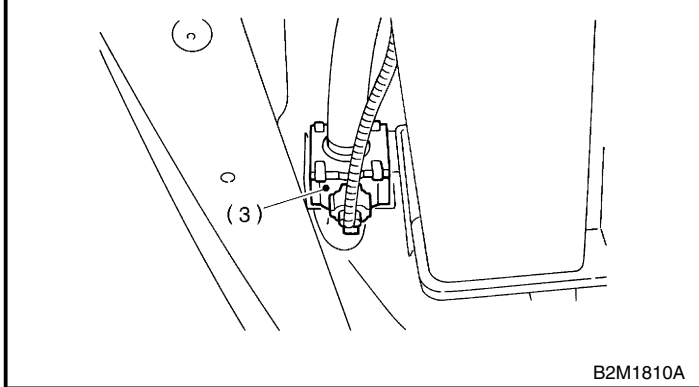
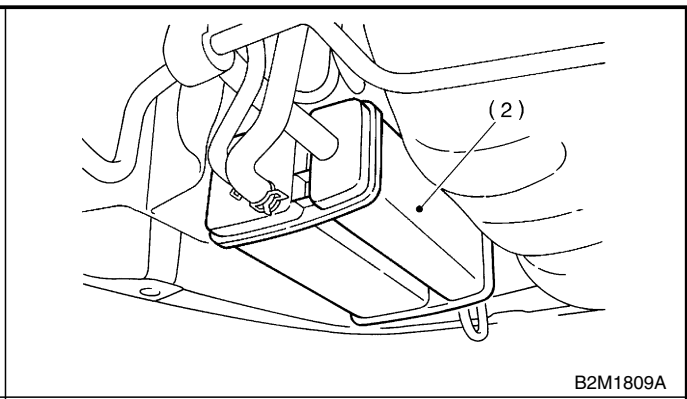
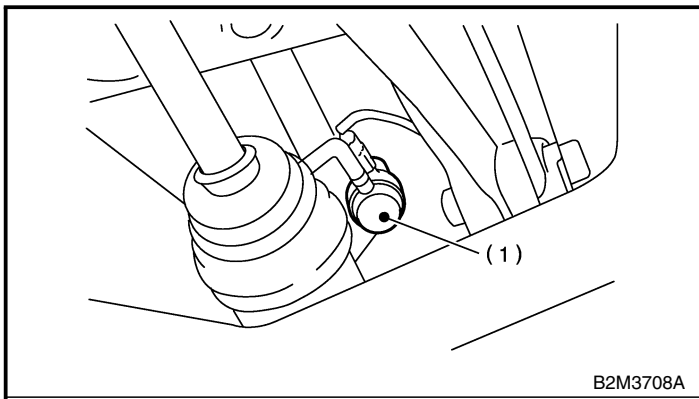
(1) Pressure control solenoid valve  
(2) Canister

(3) Drain valve  
(4) Drain filter

(5) Atmospheric pressure solenoid valve

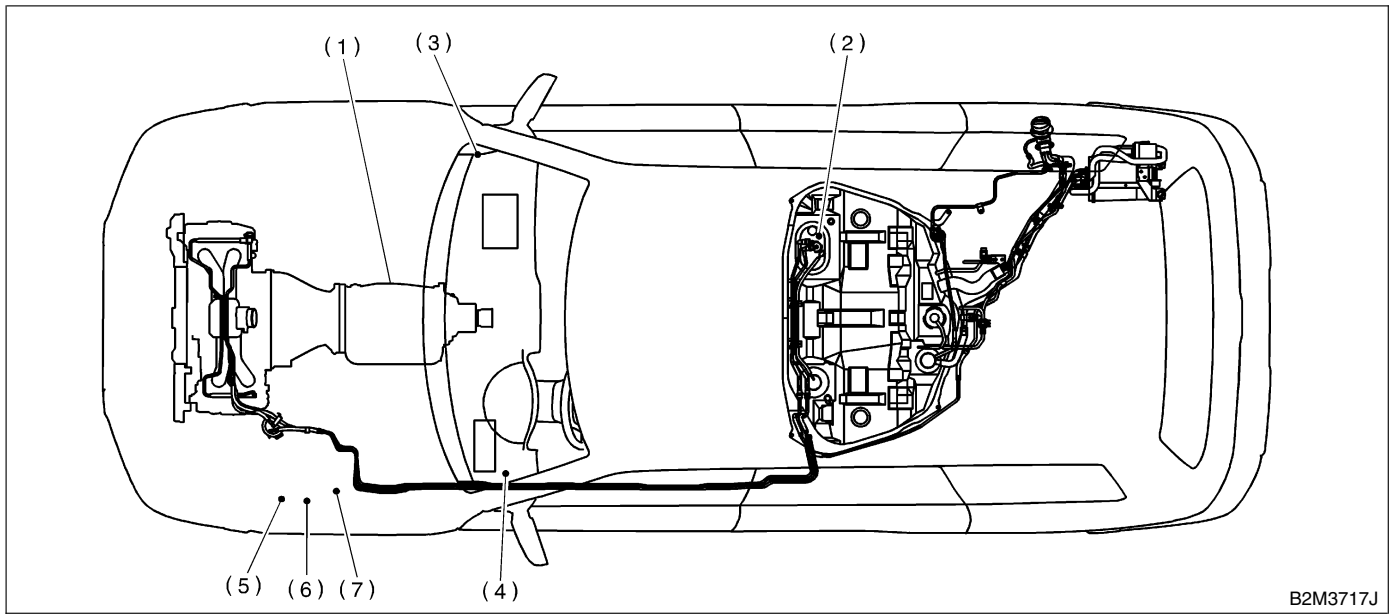
# ELECTRICAL COMPONENTS LOCATION

Engine (Diagnostics)



# ELECTRICAL COMPONENTS LOCATION

Engine (Diagnostics)

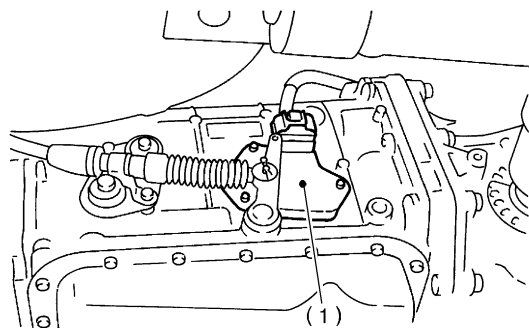


B2M3717J

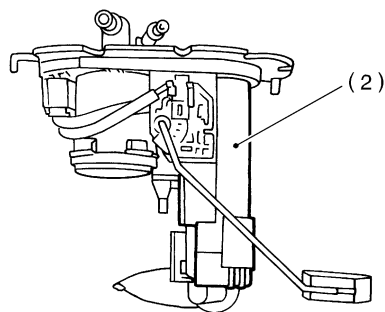
- |                      |                             |             |
|----------------------|-----------------------------|-------------|
| (1) Inhibitor switch | (4) Fuel pump relay         | (7) Starter |
| (2) Fuel pump        | (5) Radiator main fan relay |             |
| (3) Main relay       | (6) Radiator sub fan relay  |             |

# ELECTRICAL COMPONENTS LOCATION

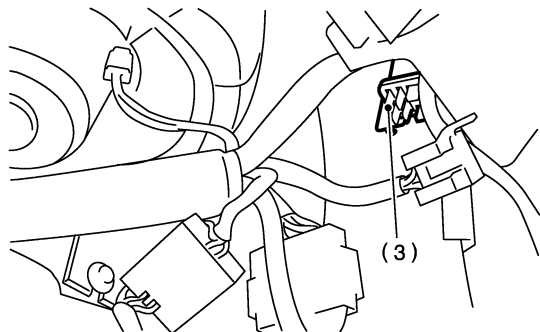
Engine (Diagnostics)



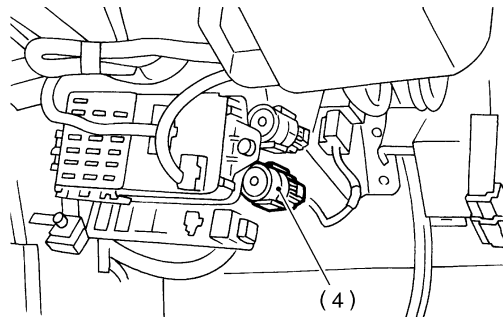
B2M2246A



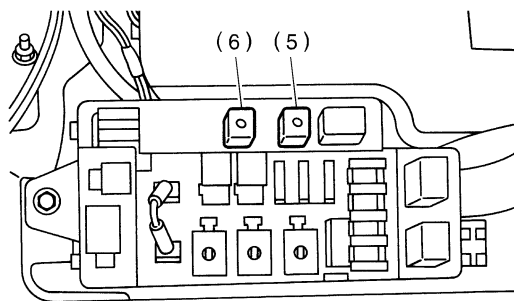
B2M3704C



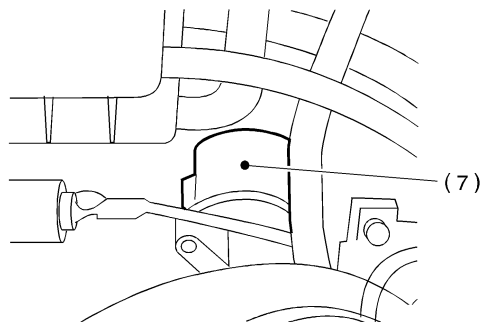
B2M3709B



B2M3710B



B2M3711B



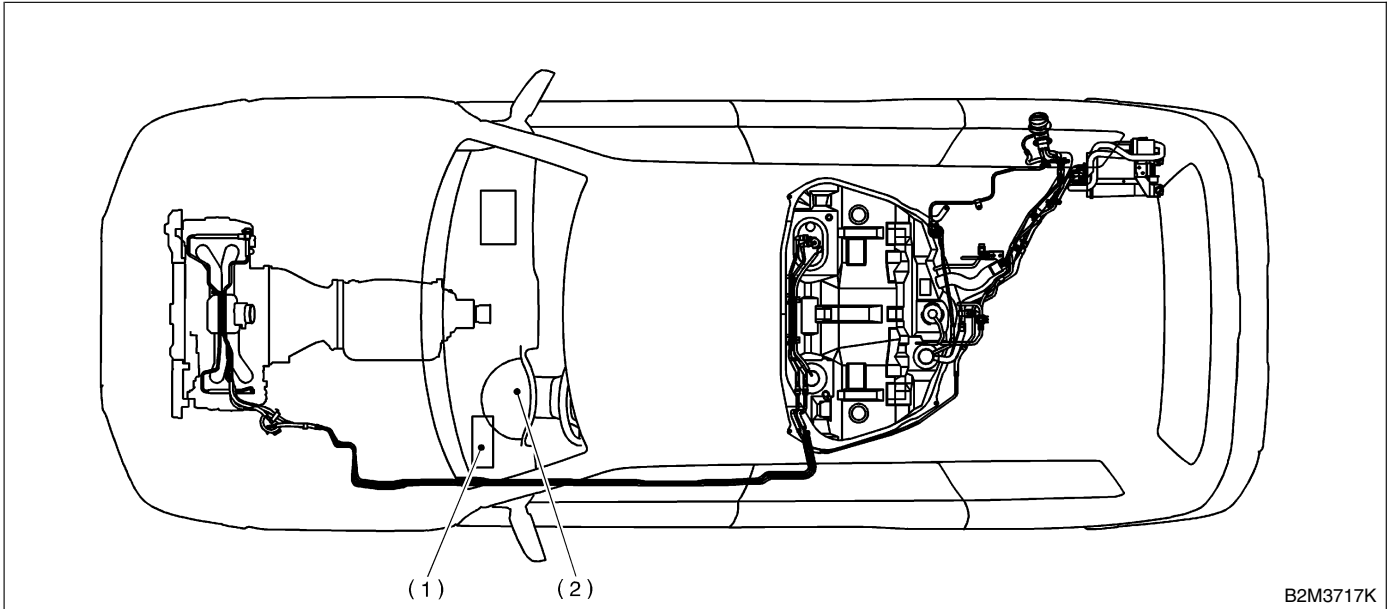
B2M2247E

# ELECTRICAL COMPONENTS LOCATION

Engine (Diagnostics)

## 2. TRANSMISSION S078507A1302

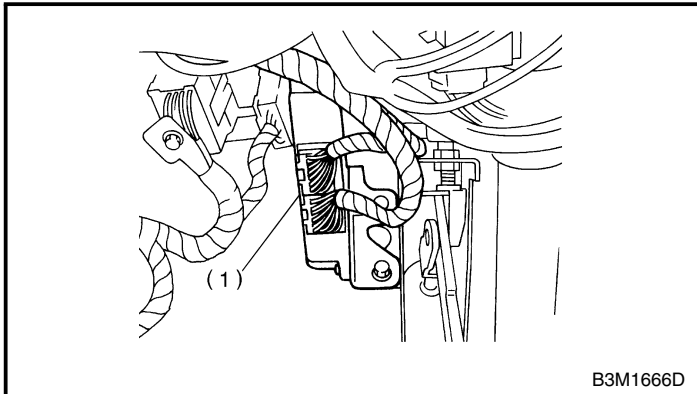
### ● MODULE S078507A130201



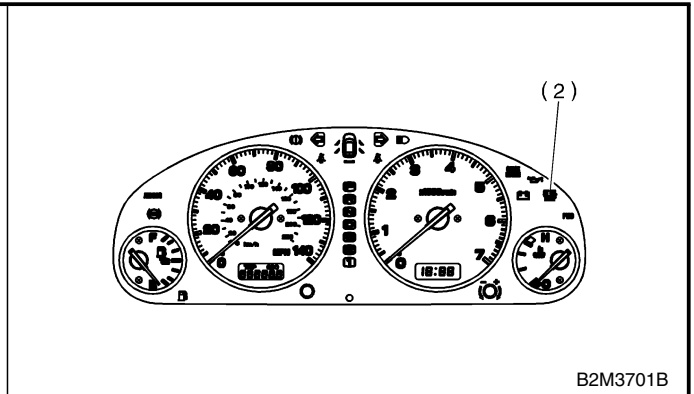
B2M3717K

(1) Transmission Control Module (TCM) (for AT vehicles)

(2) AT diagnostic indicator light (for AT vehicles)

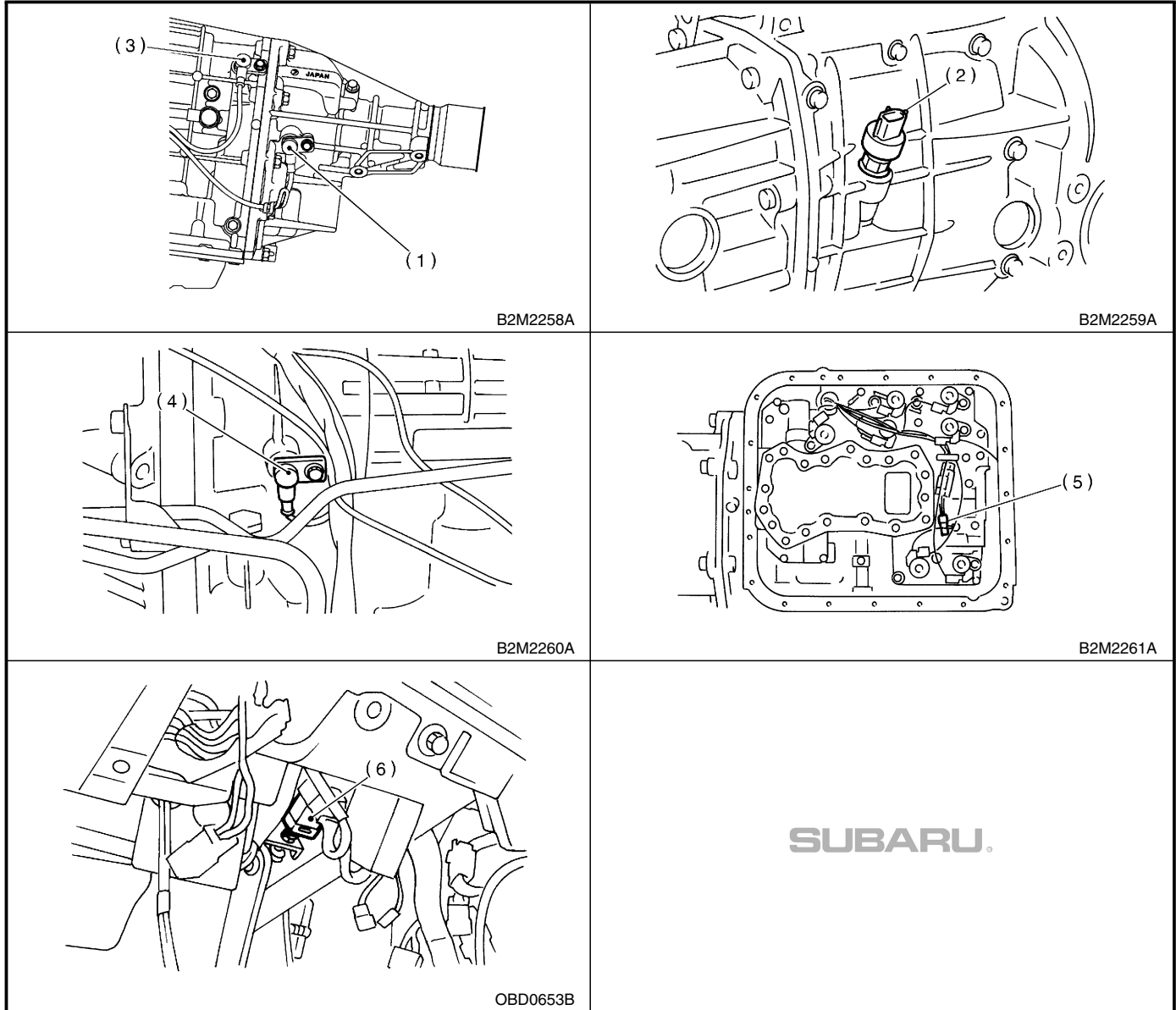


B3M1666D



B2M3701B

● **SENSOR** S078507A130202

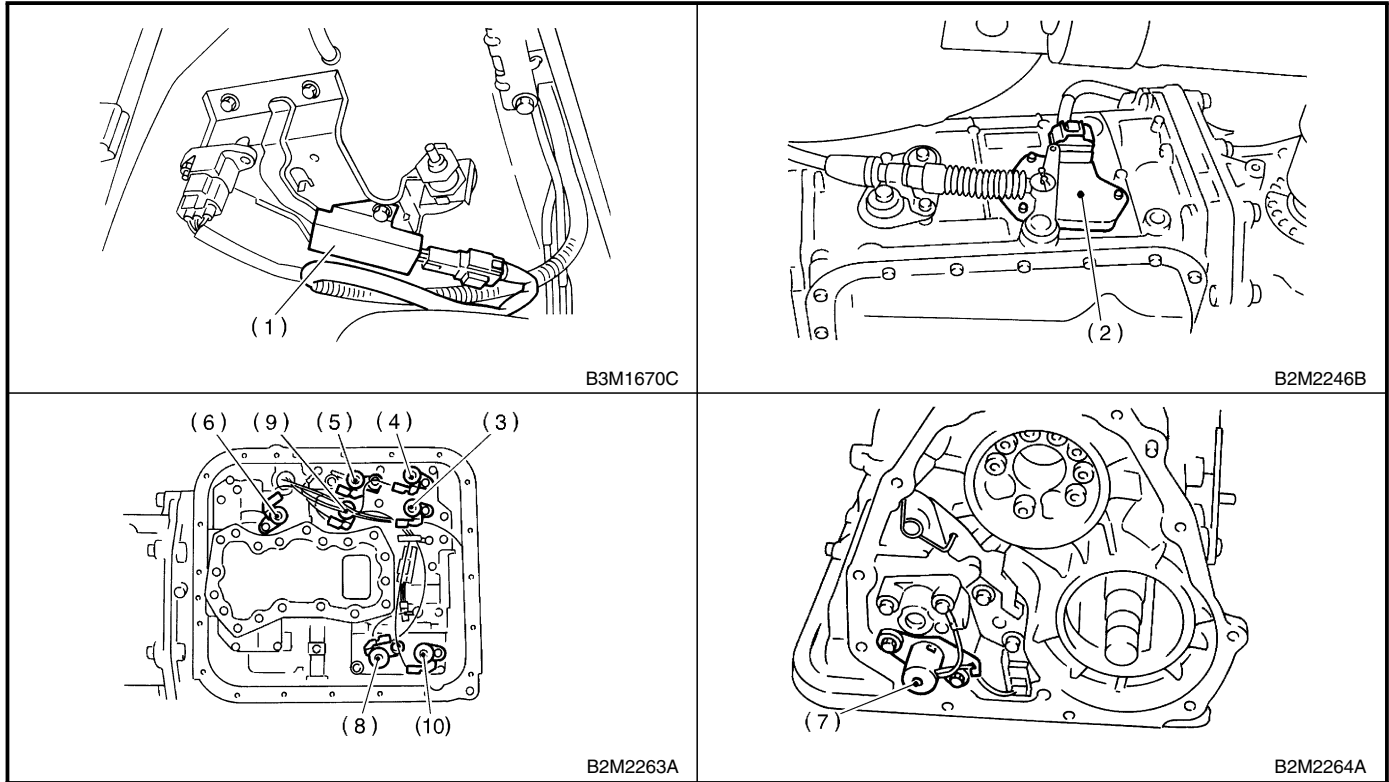


- (1) Rear vehicle speed sensor (for AT vehicles)
- (2) Front vehicle speed sensor (for MT vehicles)
- (3) Front vehicle speed sensor (for AT vehicles)
- (4) Torque converter turbine speed sensor
- (5) ATF temperature sensor (for AT vehicles)
- (6) Brake light switch

# ELECTRICAL COMPONENTS LOCATION

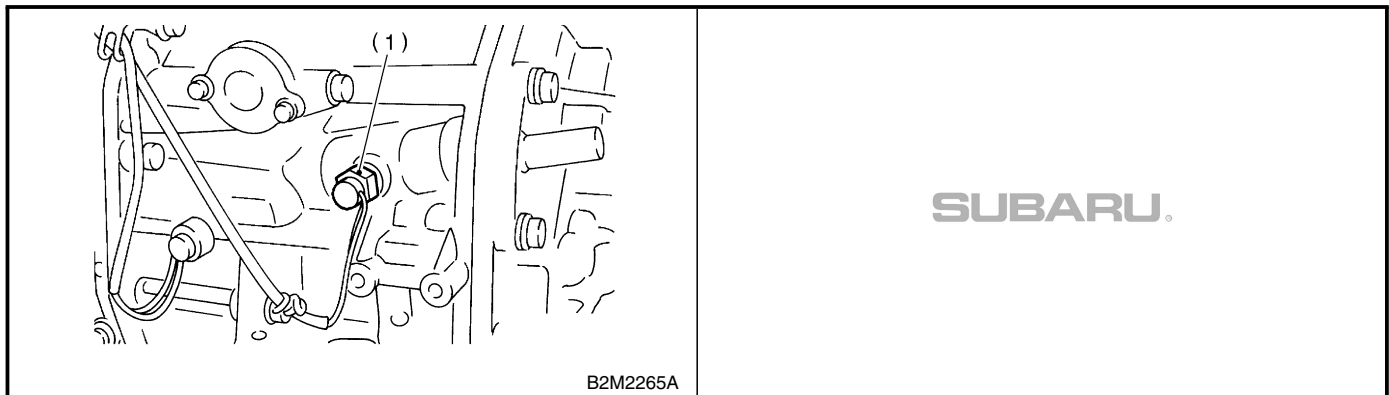
Engine (Diagnostics)

## ● SOLENOID VALVE AND SWITCH (AT VEHICLES) S078507A130203



- (1) Dropping resistor
- (2) Inhibitor switch
- (3) Shift solenoid valve 1
- (4) Shift solenoid valve 2
- (5) Line pressure duty solenoid
- (6) Lock-up duty solenoid
- (7) Transfer duty solenoid
- (8) 2-4 brake duty solenoid
- (9) Low clutch timing solenoid valve
- (10) 2-4 brake timing solenoid valve

## ● SOLENOID VALVE AND SWITCH (MT VEHICLES) S078507A130204



- (1) Neutral position switch

**MEMO:**