

COMPULSORY VALVE OPERATION CHECK MODE

Engine (Diagnostics)

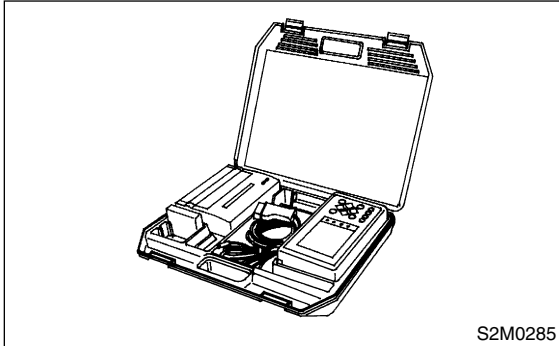
15. Compulsory Valve Operation Check Mode

S078528

A: OPERATION

S078528A16

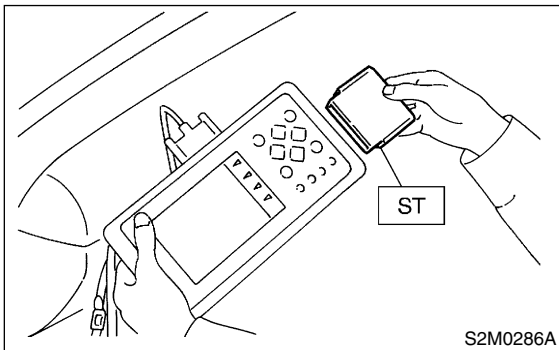
1) Prepare Subaru Select Monitor kit. <Ref. to EN-8, PREPARATION TOOL, General Description.>



S2M0285

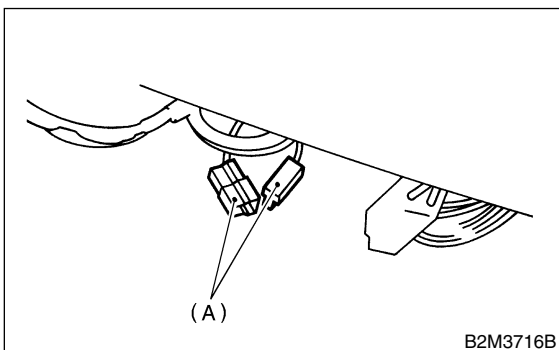
2) Connect diagnosis cable to Subaru Select Monitor.

3) Insert cartridge into Subaru Select Monitor. <Ref. to EN-8, PREPARATION TOOL, General Description.>



S2M0286A

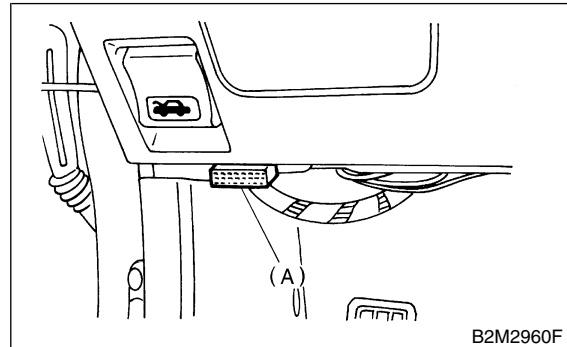
4) Connect test mode connector (A) at the lower portion of instrument panel (on the driver's side), to the side of the center console box.



B2M3716B

5) Connect Subaru Select Monitor to data link connector.

(1) Connect Subaru Select Monitor to data link connector (A) located in the lower portion of the instrument panel (on the driver's side).



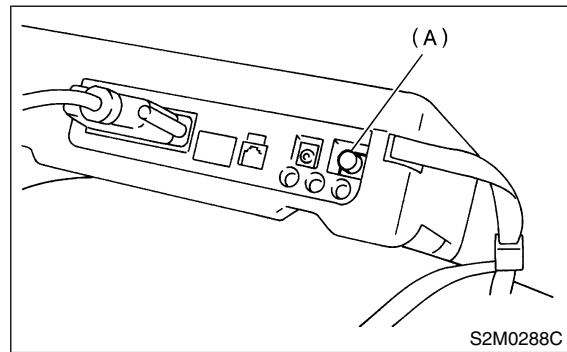
B2M2960F

(2) Connect diagnosis cable to data link connector.

CAUTION:

Do not connect scan tools except for Subaru Select Monitor and OBD-II general scan tool.

6) Turn ignition switch to ON (engine OFF) and Subaru Select Monitor switch to ON.



S2M0288C

(A) Power switch

7) On the «Main Menu» display screen, select the {2. Each System Check} and press the [YES] key.

8) On the «System Selection Menu» display screen, select the {Engine Control System} and press the [YES] key.

9) Press the [YES] key after displayed the information of engine type.

10) On the «Engine Diagnosis» display screen, select the {System Operation Check Mode} and press the [YES] key.

11) On the «System Operation Check Mode» display screen, select the {Actuator ON/OFF Operation} and press the [YES] key.

12) Select the desired compulsory actuator on the «Actuator ON/OFF Operation» display screen and press the [YES] key.

COMPULSORY VALVE OPERATION CHECK MODE

Engine (Diagnostics)

13) Pressing the [NO] key completes the compulsory operation check mode. The display will then return to the «Actuator ON/OFF Operation» screen.

- A list of the support data is shown in the following table.

| Contents | Display |
|--|--------------------------------|
| Compulsory fuel pump relay operation check | Fuel Pump Relay |
| Compulsory radiator fan relay operation check | Radiator Fan Relay |
| Compulsory air conditioning relay operation check | A/C Compressor Relay |
| Compulsory purge control solenoid valve operation check | CPC Solenoid Valve |
| Compulsory air assist injector solenoid valve operation check | AAI Solenoid Valve |
| Compulsory fuel tank pressure control solenoid valve operation check | PCV Solenoid Valve |
| Compulsory drain valve operation check | Vent Control Solenoid Valve |
| Fuel tank pressure sensor operation check | Fuel Tank Sensor Control Valve |

NOTE:

- The following parts will be displayed but not functional because they are not installed on the vehicle.

| Display |
|---------------------------|
| ASV Solenoid Valve |
| FICD Solenoid |
| Pressure Switching Sol. 1 |
| Pressure Switching Sol. 2 |

- For detailed operation procedure, refer to the SUBARU SELECT MONITOR OPERATION MANUAL.