

# MUFFLER

Exhaust

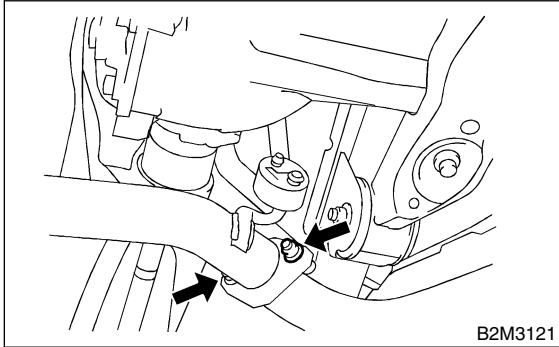
## 5. Muffler S172066

### A: REMOVAL S172066A18

1) Separate muffler from rear exhaust pipe.

#### CAUTION:

Be careful, exhaust pipe is hot.



2) Remove left and right rubber cushions.

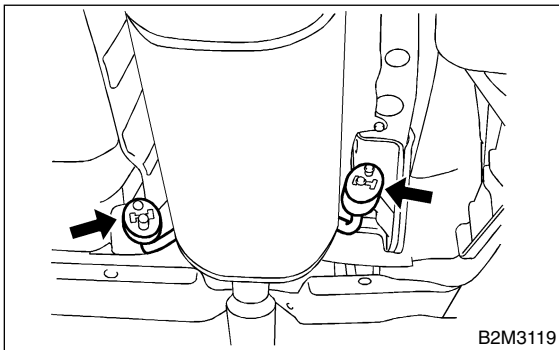
#### CAUTION:

Be careful not to drop the muffler during removal.

#### NOTE:

To facilitate removal, apply a coat of SUBARU CRC to mating area of rubber cushions in advance.

**SUBARU CRC (Part No. 004301003)**

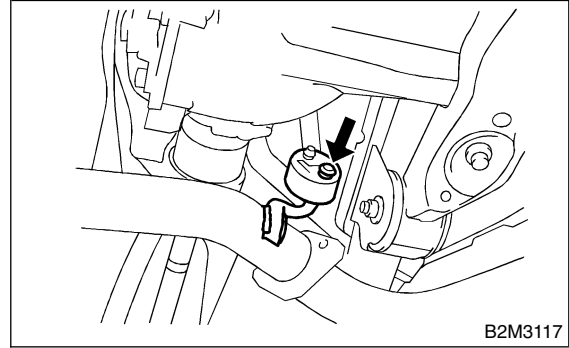


3) Remove front rubber cushion, and detach muffler assembly.

#### NOTE:

To facilitate removal, apply a coat of SUBARU CRC to mating area of rubber cushion in advance.

**SUBARU CRC (Part No. 004301003)**



### B: INSTALLATION S172066A11

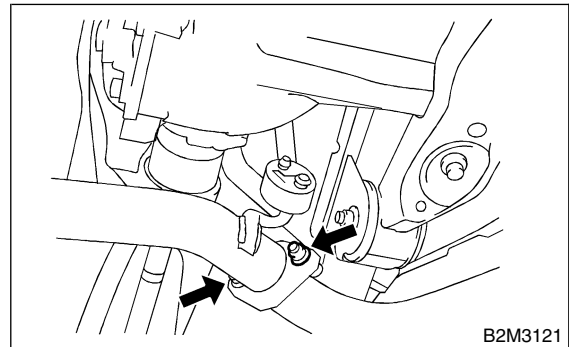
1) Install in the reverse order of removal.

#### NOTE:

Replace gasket with a new one.

#### Tightening torque:

**48 N·m (4.9 kgf·m, 35.4 ft·lb)**



### C: INSPECTION S172066A10

1) Make sure there are no exhaust leaks from connections and welds.

2) Make sure there are no holes or rusting.

3) Make sure the cushion rubber is not worn or cracked.