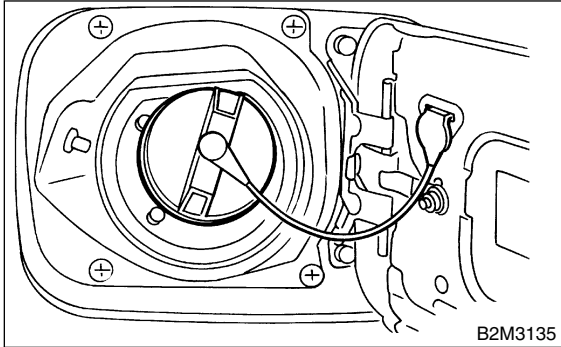


12. Fuel Injector S175051

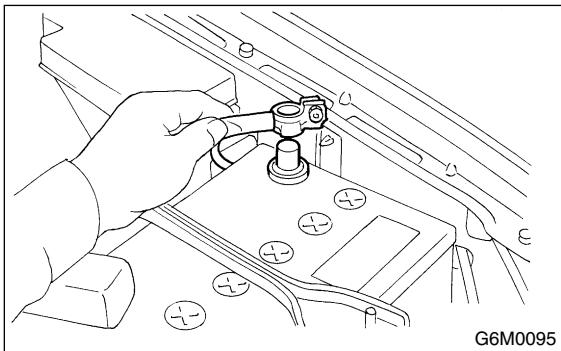
A: REMOVAL S175051A18

1. RH SIDE S175051A1801

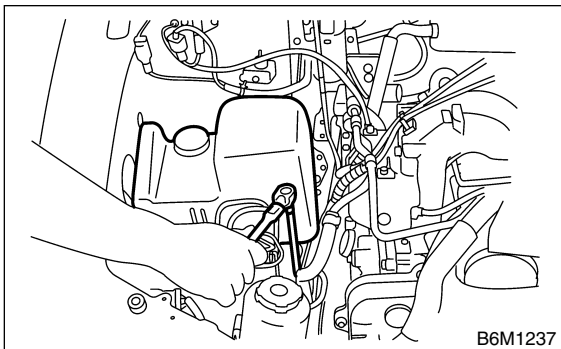
- 1) Release fuel pressure.
<Ref. to FU-54, RELEASING OF FUEL PRESSURE, OPERATION, Fuel.>
- 2) Open fuel flap lid, and remove fuel filler cap.



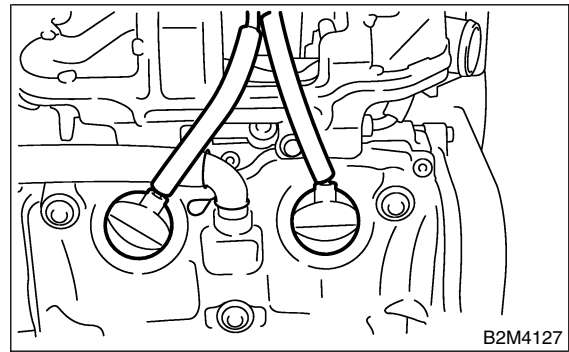
- 3) Disconnect battery ground cable.



- 4) Remove air intake duct and air cleaner case.
<Ref. to IN-7, REMOVAL, Air Intake Duct.> and
<Ref. to IN-6, REMOVAL, Air Cleaner Case.>
- 5) Remove resonator chamber.

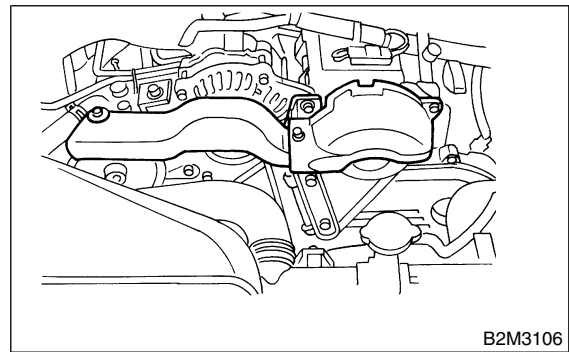


- 6) Remove spark plug cords from spark plugs (#1 and #3 cylinders).

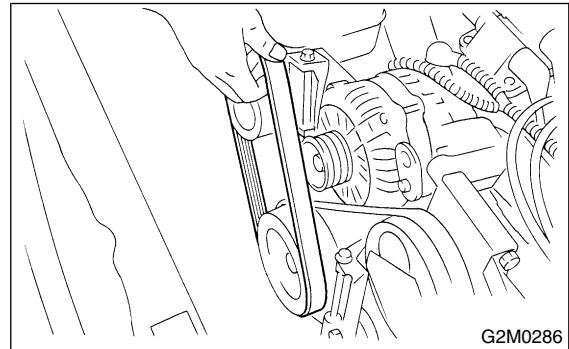


- 7) Remove power steering pump and tank from brackets.

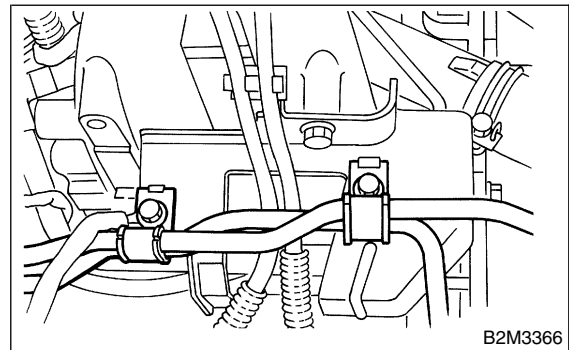
- (1) Remove V-belt covers.



- (2) Loosen lock bolt and slider bolt, and remove power steering pump drive V-belt.



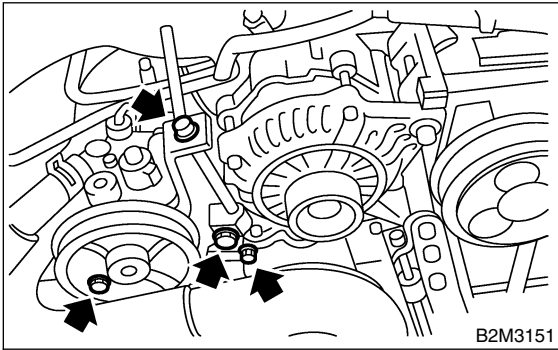
- (3) Remove bolts which hold power steering pipes onto intake manifold protector.



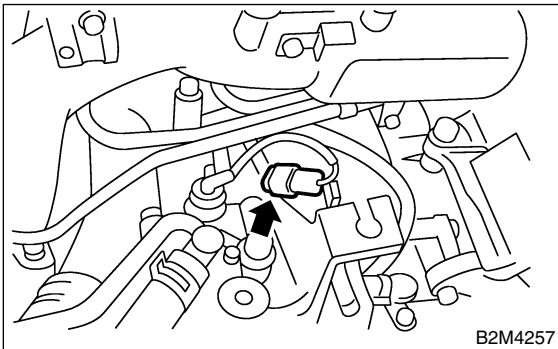
FUEL INJECTOR

Fuel Injection (Fuel Systems)

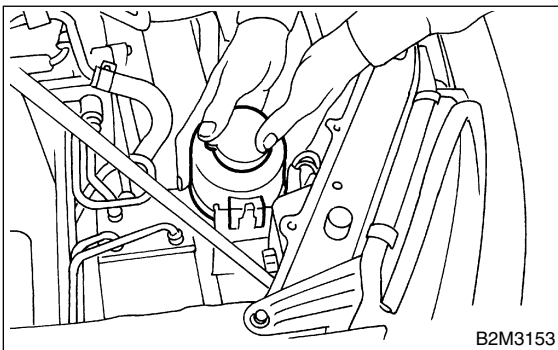
(4) Remove bolts which install power steering pump to bracket.



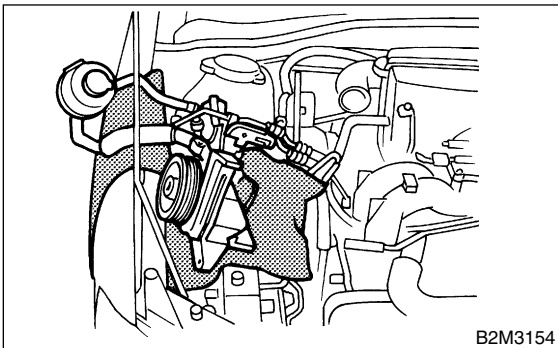
(5) Disconnect connector from power steering pump switch.



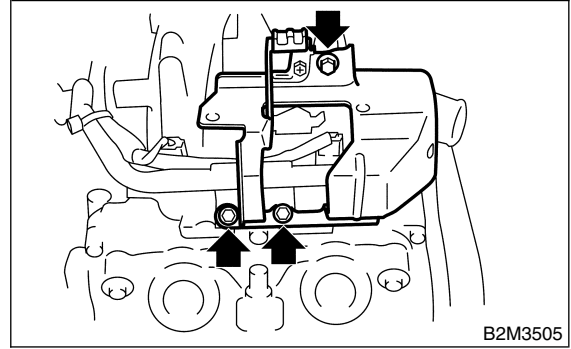
(6) Remove power steering tank from the bracket by pulling it upwards.



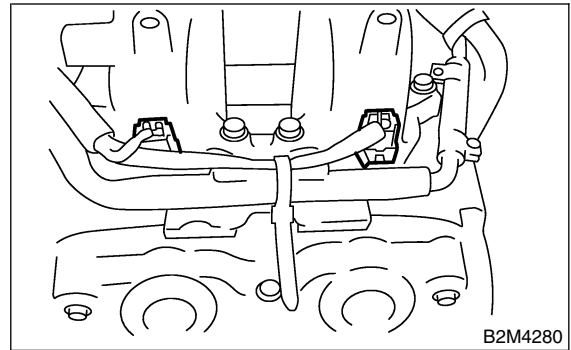
(7) Place power steering pump and tank on the right side wheel apron.



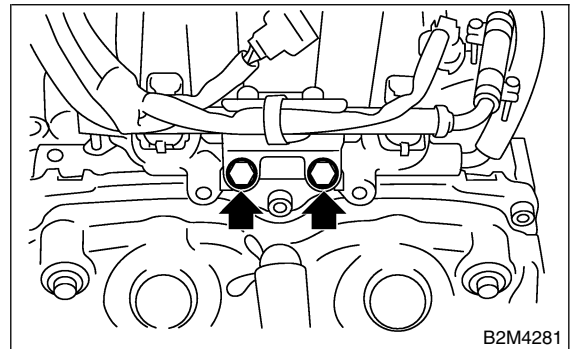
8) Remove fuel pipe protector RH.



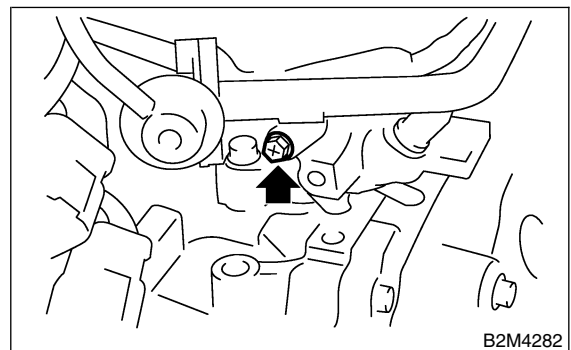
9) Disconnect connector from fuel injector.



10) Remove bolts which hold injector pipe to intake manifold.



11) Remove bolt which install injector pipe to intake manifold.

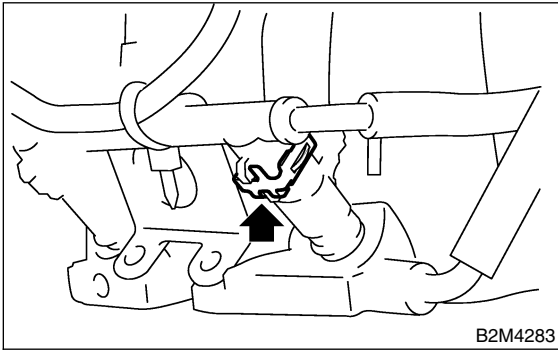


FUEL INJECTOR

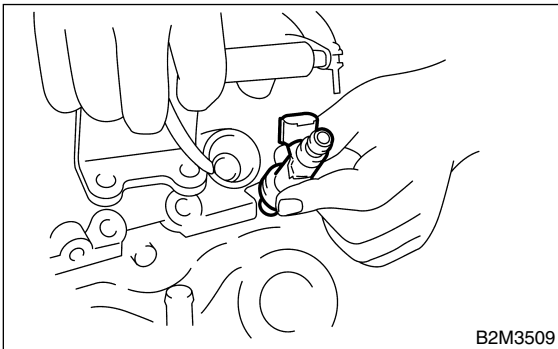
Fuel Injection (Fuel Systems)

12) Remove fuel injector from intake manifold.

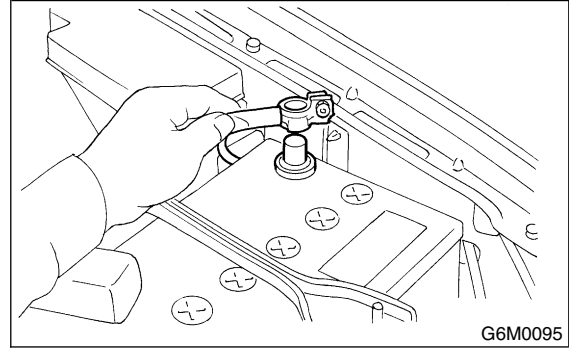
(1) Remove fuel injector securing clip.



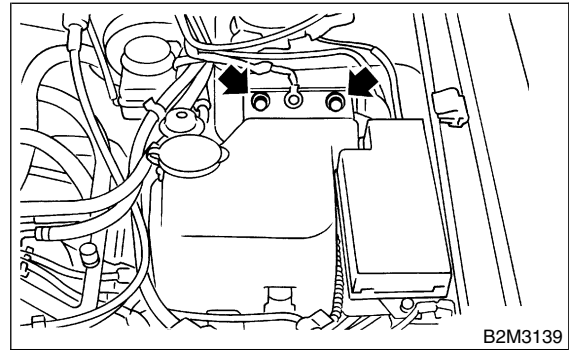
(2) Remove fuel injector while lifting up fuel injector pipe.



3) Disconnect battery ground cable.

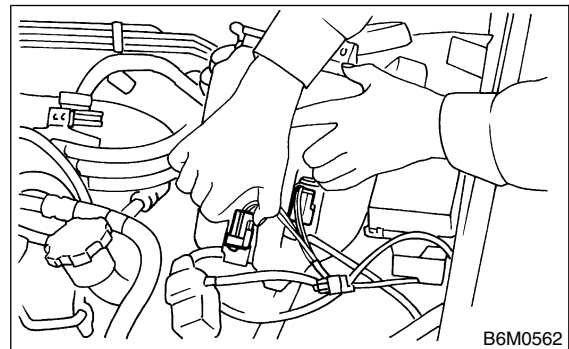


4) Remove two bolts which install washer tank on body.



5) Disconnect connector from front window washer motor.

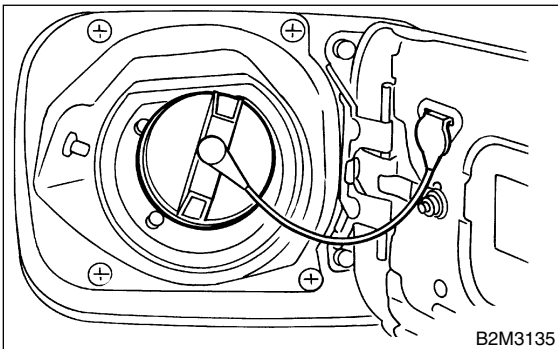
6) Disconnect connector from rear gate glass washer motor.



2. LH SIDE S175051A1802

1) Release fuel pressure. <Ref. to FU-54, RELEASING OF FUEL PRESSURE, OPERATION, Fuel.>

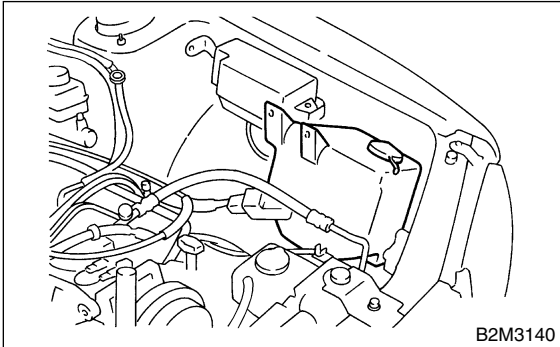
2) Open fuel flap lid, and remove fuel filler cap.



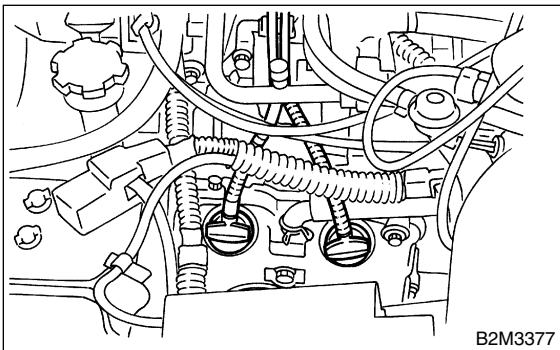
FUEL INJECTOR

Fuel Injection (Fuel Systems)

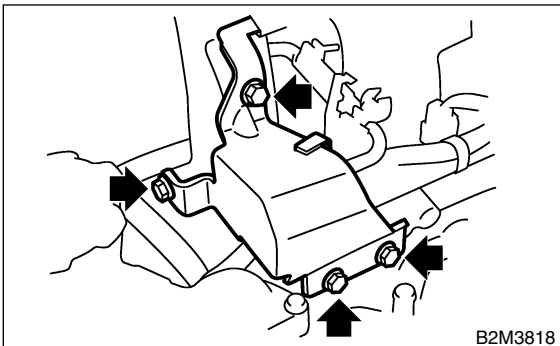
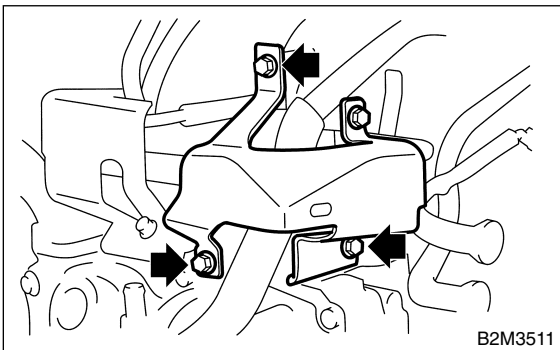
- 7) Disconnect rear window glass washer hose from washer motor, then plug connection with a suitable cap.
- 8) Move washer tank, and secure it away from working area.



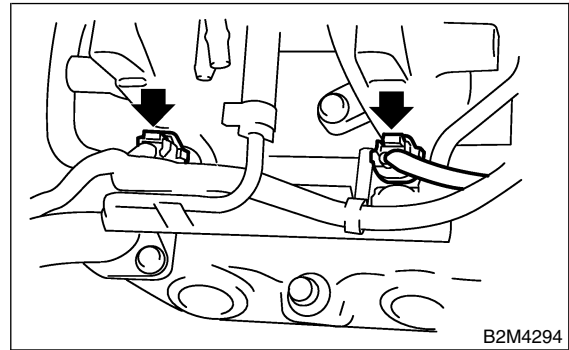
- 9) Remove spark plug cords from spark plugs (#2 and #4 cylinders).



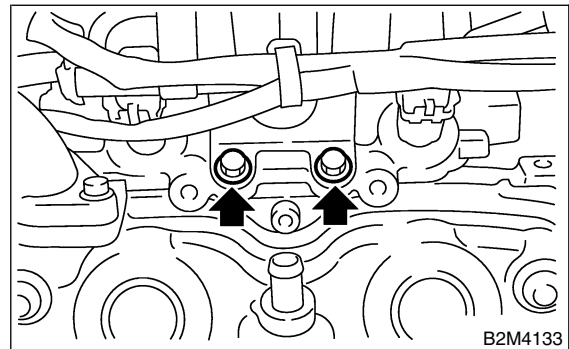
- 10) Remove fuel pipe protector LH.



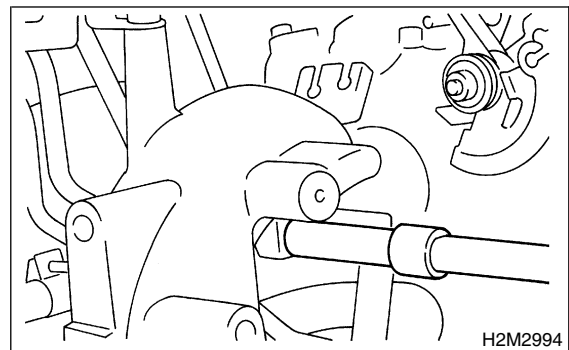
- 11) Disconnect connector from fuel injector.



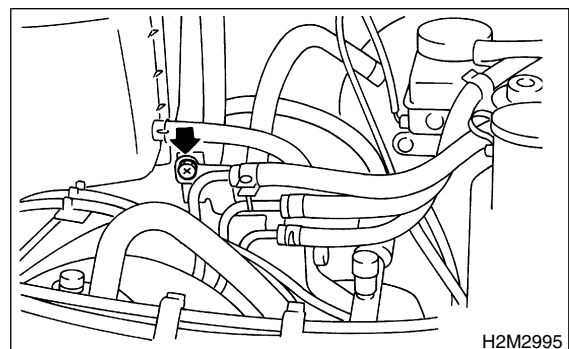
- 12) Remove bolt which holds injector pipe to intake manifold.



- 13) Remove bolt which installs injector pipe to intake manifold.

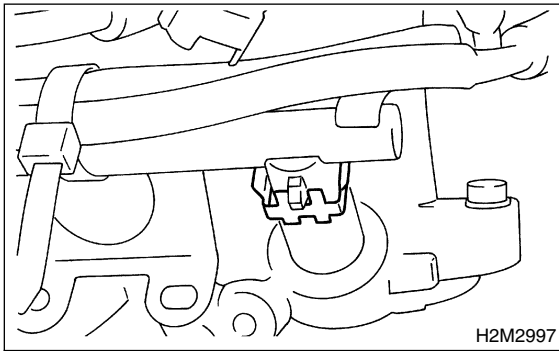


- 14) Remove bolt which holds fuel pipe on the left side intake manifold.

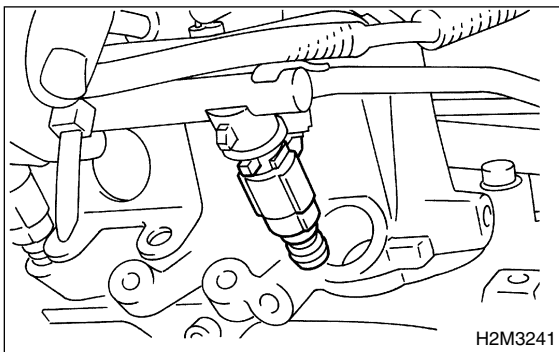


15) Remove fuel injector from intake manifold.

(1) Remove fuel injector securing clip.



(2) Remove fuel injector while lifting up fuel injector pipe.



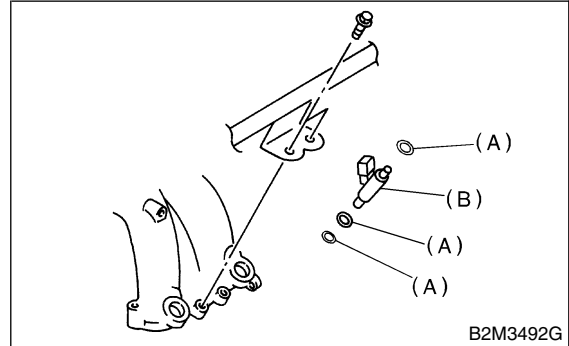
B: INSTALLATION S175051A11

1. RH SIDE S175051A1101

Install in the reverse order of removal.

NOTE:

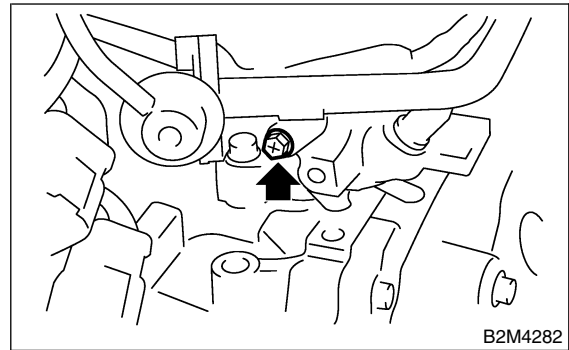
Replace O-rings with new ones.



- (A) O-ring
- (B) Fuel injector

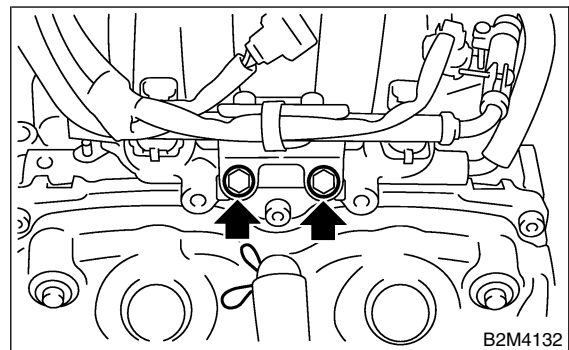
Tightening torque:

5.0 N-m (0.51 kgf-m, 3.7 ft-lb)



Tightening torque:

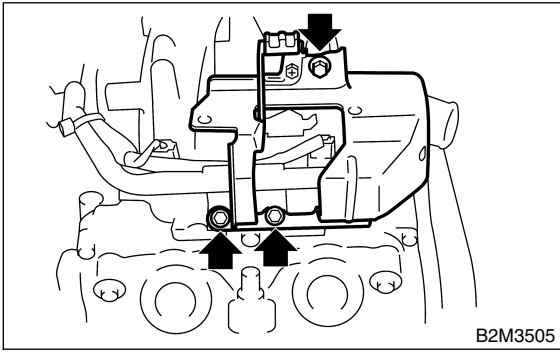
19 N-m (0.19 kgf-m, 1.4 ft-lb)



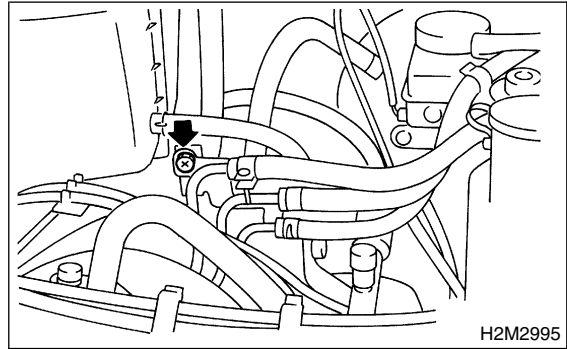
FUEL INJECTOR

Fuel Injection (Fuel Systems)

Tightening torque:
19 N-m (0.19 kgf-m, 1.4 ft-lb)



Tightening torque:
5.0 N-m (0.51 kgf-m, 3.7 ft-lb)

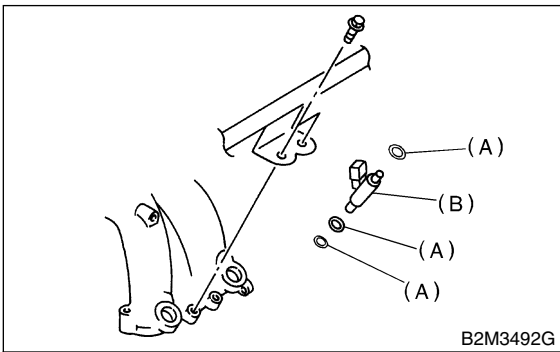


2. LH SIDE S175051A1102

Install in the reverse order of removal.

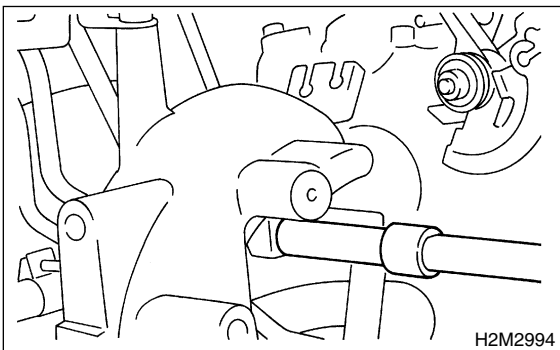
NOTE:

Replace O-rings with new ones.

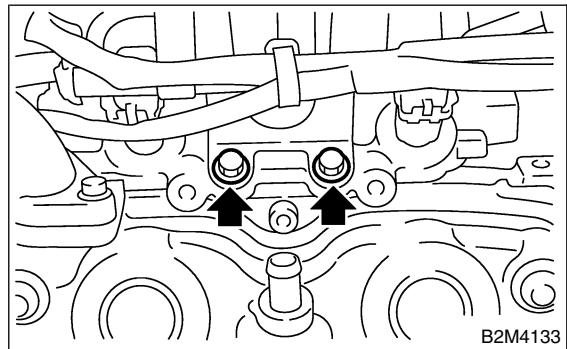


- (A) O-ring
- (B) Fuel injector

Tightening torque:
5.0 N-m (0.51 kgf-m, 3.7 ft-lb)



Tightening torque:
19 N-m (1.9 kgf-m, 13.7 ft-lb)



Tightening torque:
19 N-m (1.9 kgf-m, 13.7 ft-lb)

