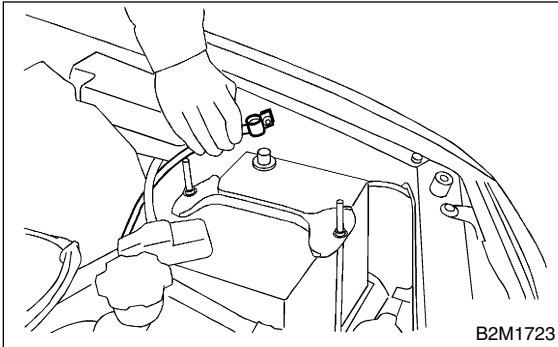


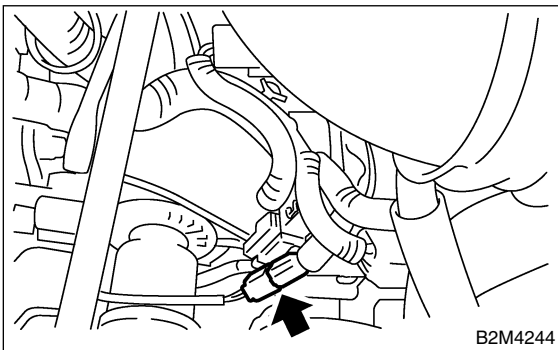
## 14. Rear Oxygen Sensor S175657

### A: REMOVAL S175657A18

- 1) Disconnect battery ground cable.



- 2) Disconnect connector from rear oxygen sensor.



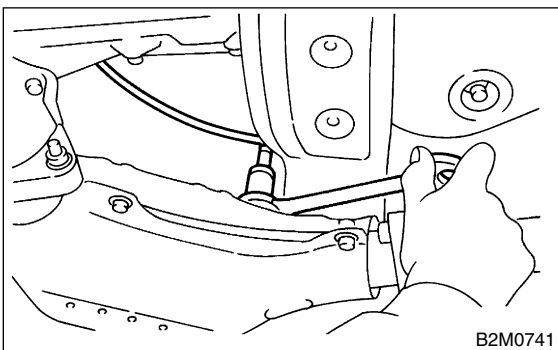
- 3) Lift-up the vehicle.
- 4) Apply SUBARU CRC or its equivalent to threaded portion of rear oxygen sensor, and leave it for one minute or more.

**SUBARU CRC (Part No. 004301003)**

- 5) Remove rear oxygen sensor.

#### CAUTION:

**When removing the oxygen sensor, wait until exhaust pipe cools, otherwise it will damage exhaust pipe.**



### B: INSTALLATION S175657A11

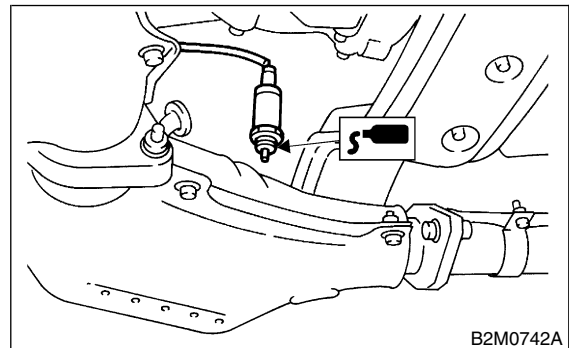
- 1) Before installing rear oxygen sensor, apply anti-seize compound only to threaded portion of rear oxygen sensor to make the next removal easier.

#### CAUTION:

**Never apply anti-seize compound to protector of rear oxygen sensor.**

**Anti-seize compound:**

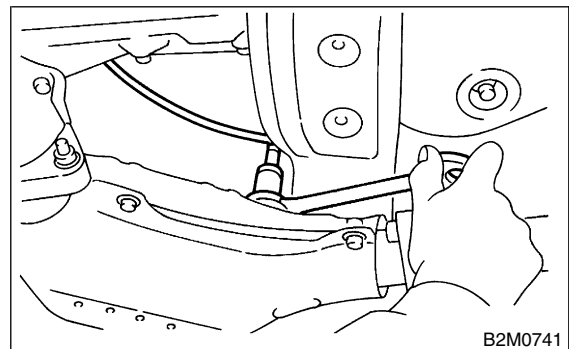
**SS-30 by JET LUBE**



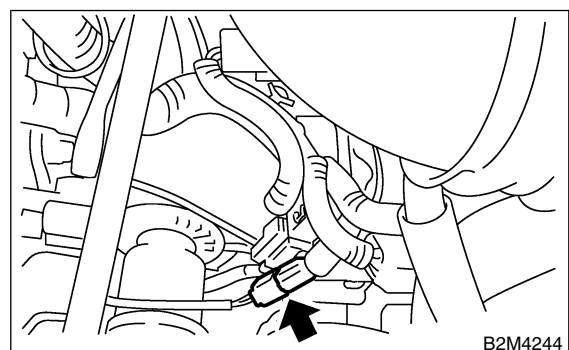
- 2) Install rear oxygen sensor.

**Tightening torque:**

**21 N·m (2.1 kgf·m, 15.2 ft·lb)**



- 3) Lower the vehicle.
- 4) Connect connector to rear oxygen sensor.



## REAR OXYGEN SENSOR

Fuel Injection (Fuel Systems)

---

5) Connect battery ground cable.

