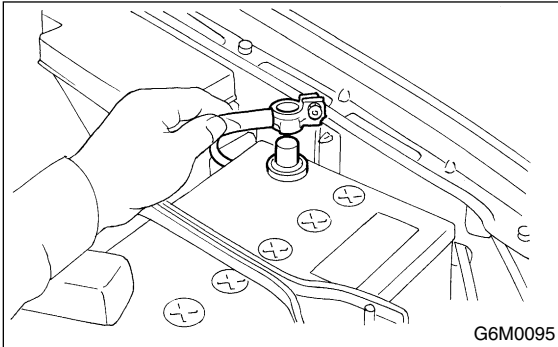


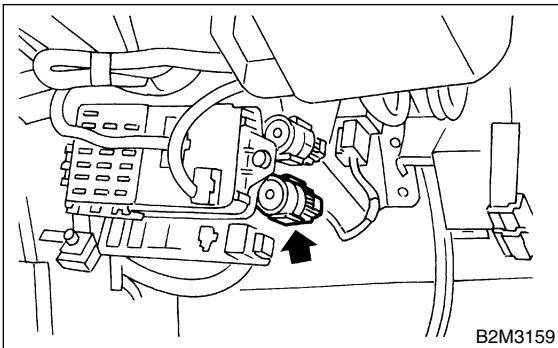
17. Fuel Pump Relay S175048

A: REMOVAL S175048A18

- 1) Disconnect battery ground cable.



- 2) Remove lower cover. <Ref. to EI-37, REMOVAL, Instrument Panel Assembly.>
- 3) Disconnect connector from fuel pump relay.



- 4) Remove fuel pump relay from mounting bracket.

B: INSTALLATION S175048A11

Install in the reverse order of removal.