

# RADIATOR MAIN FAN AND FAN MOTOR

Cooling

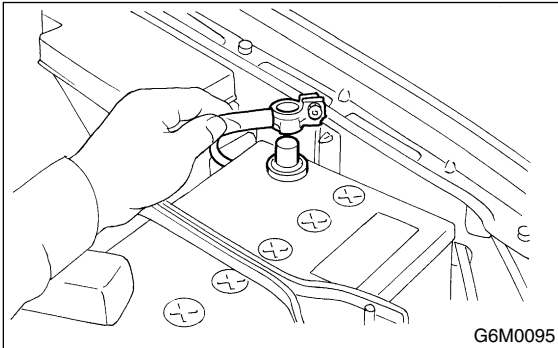
## 9. Radiator Main Fan and Fan Motor

S146059

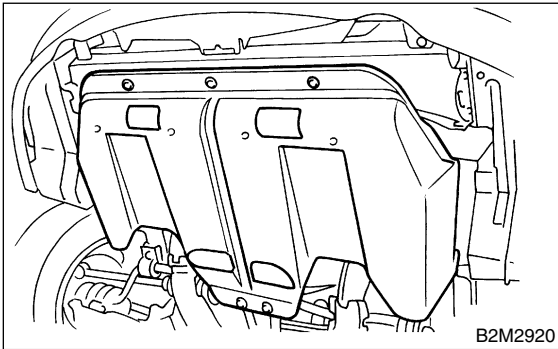
### A: REMOVAL

S146059A18

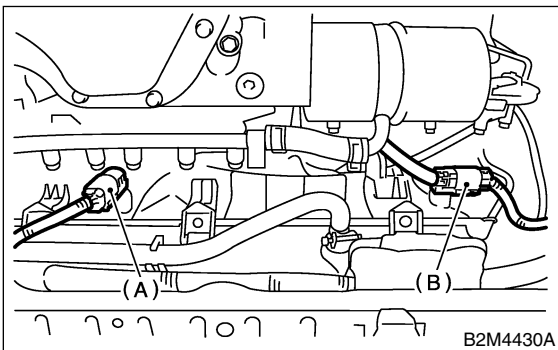
- 1) Disconnect battery ground cable.



- 2) Lift-up the vehicle.
- 3) Remove under cover.

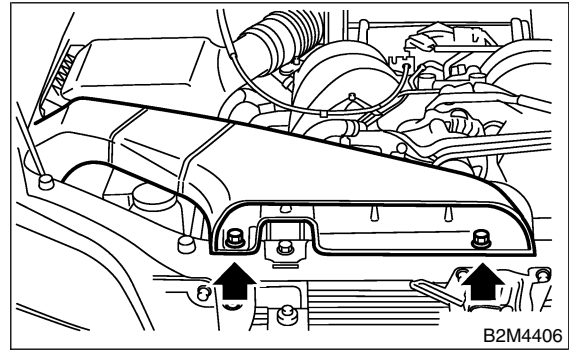


- 4) Drain engine coolant completely.  
<Ref. to CO(H6)-18, Engine Coolant.>
- 5) Disconnect connectors of main and sub fan motor.

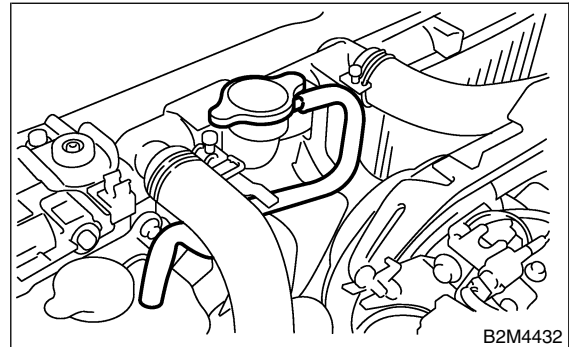


- (A) Main fan motor connector  
(B) Sub fan motor connector

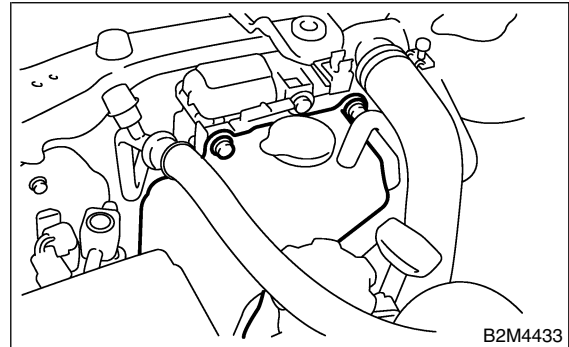
- 6) Lower the vehicle.
- 7) Remove air intake duct.



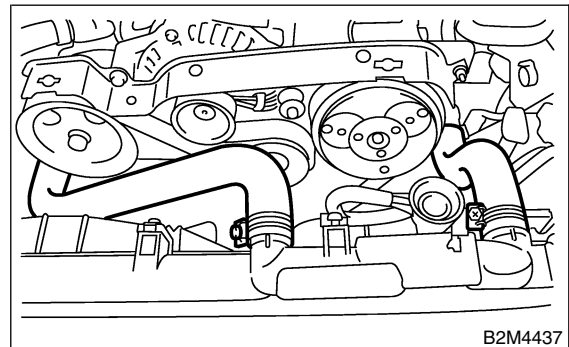
- 8) Disconnect over flow hose.



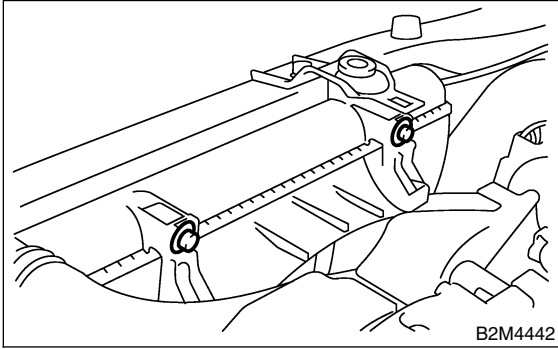
- 9) Remove reservoir tank.



- 10) Disconnect radiator inlet hoses from radiator.

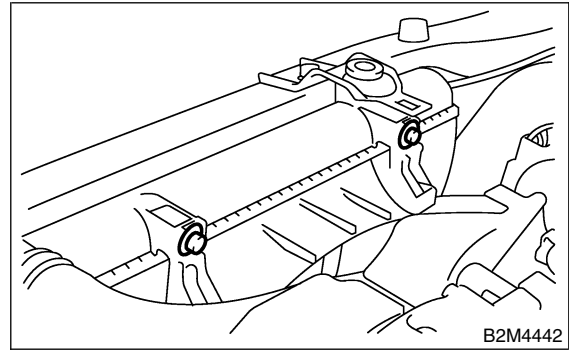


11) Remove radiator sub fan motor assembly.



**Tightening torque:**

**4.9 N·m (0.50 kgf·m, 3.6 ft·lb)**



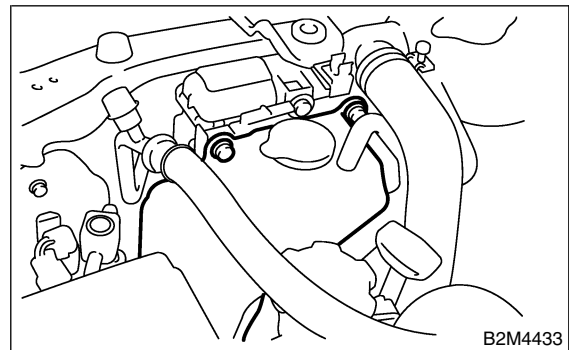
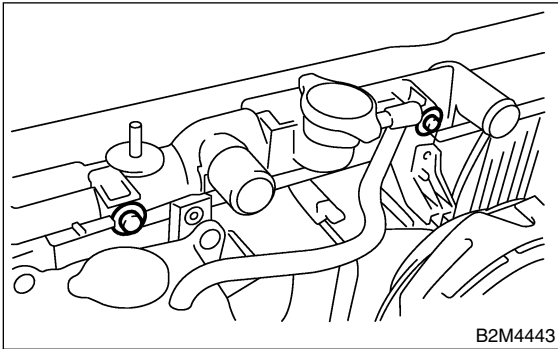
12) Remove radiator main fan motor assembly.

**NOTE:**

When removing main fan assembly by lifting it upward, main fan shroud will cause interference with coolant suction area. In order to avoid this, shift the main fan assembly over to sub fan side before removing it.

**Tightening torque:**

**4.9 N·m (0.50 kgf·m, 3.6 ft·lb)**



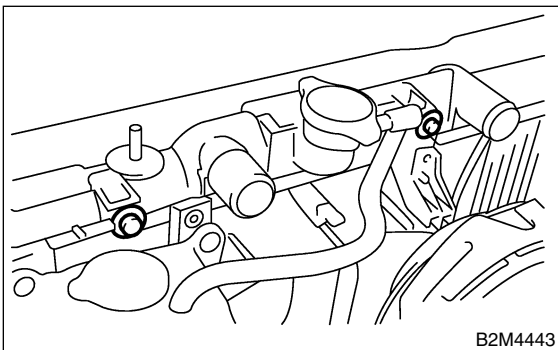
## B: INSTALLATION

S146059A11

Install in the reverse order of removal.

**Tightening torque:**

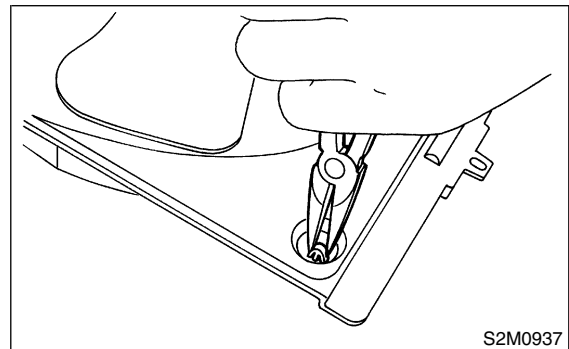
**4.9 N·m (0.50 kgf·m, 3.6 ft·lb)**



## C: DISASSEMBLY

S146059A06

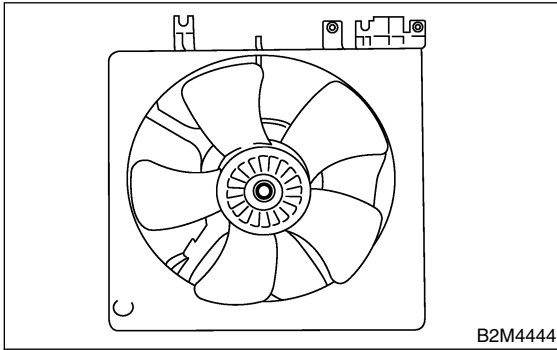
1) Remove clip which holds motor connector onto shroud.



# RADIATOR MAIN FAN AND FAN MOTOR

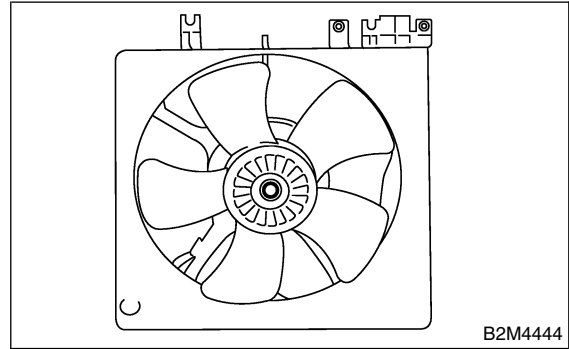
Cooling

2) Remove nut which holds fan itself onto fan motor and shroud assembly.

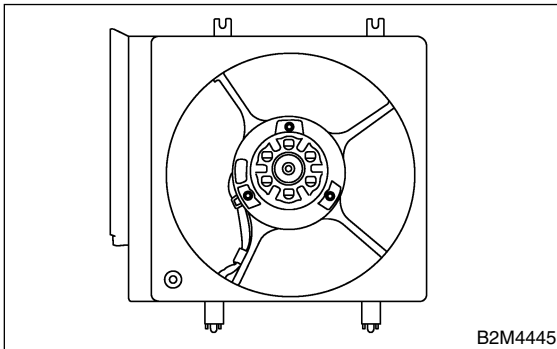


**Tightening torque:**

**7.5 N·m (0.76 kgf·m, 5.5 ft·lb)**



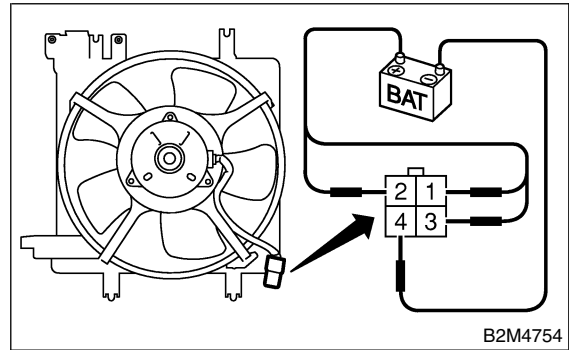
3) Remove screws which install fan motor onto shroud.



## E: INSPECTION

S146059A10

1) Connect battery to main fan motor connector.



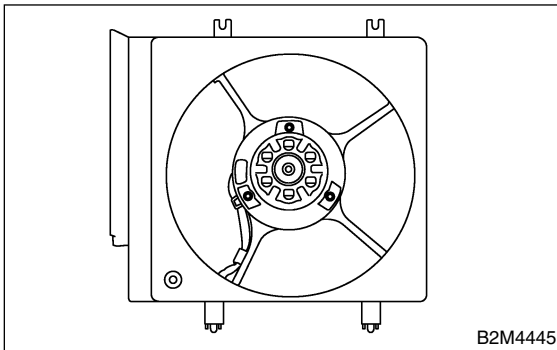
## D: ASSEMBLY

S146059A02

Assemble in the reverse order of disassembly.

**Tightening torque:**

**4.4 N·m (0.45 kgf·m, 3.3 ft·lb)**



**Terminal:**

**No. 1 (+) — No. 4 (–): Low speed**

**No. 2 (+) — No. 4 (–): Middle speed**

**No. 3 (+) — No. 4 (–): High speed**

2) Make sure the main fan motor operates properly. Replace it if it doesn't.