

FLYWHEEL

Clutch

2. Flywheel

A: OUTLINE

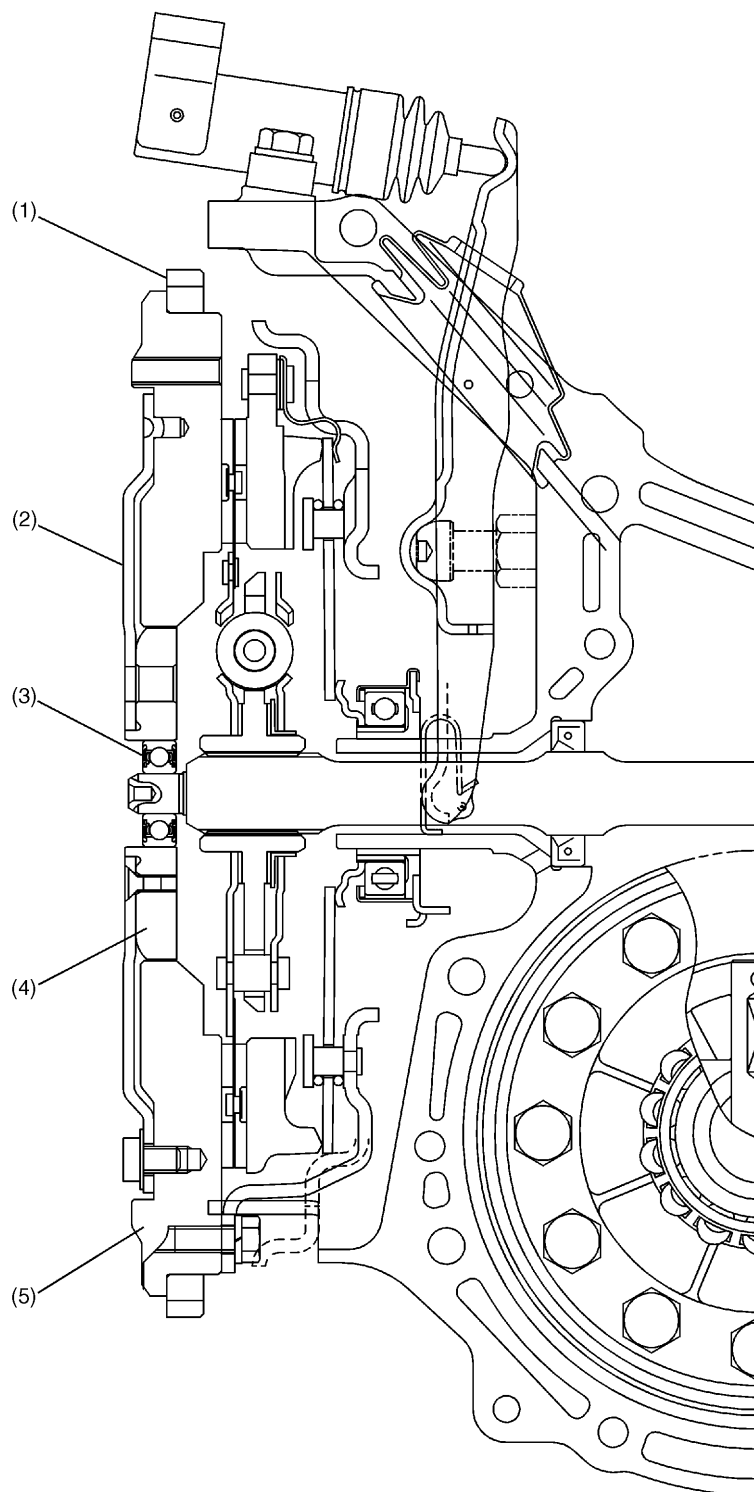
The flywheel is of a flexible type, consisting of a drive plate, reinforcement and mass flywheel.

This type of flywheel is characterized by less vibration and less noise, since it transmits the engine power from the crankshaft to the clutch disc through the drive plate and mass flywheel.

CL-4

FLYWHEEL

Clutch



- (1) Ring gear
- (2) Drive plate
- (3) Ball bearing

- (4) Reinforcement
- (5) Mass flywheel

S2H0888B

CL-5