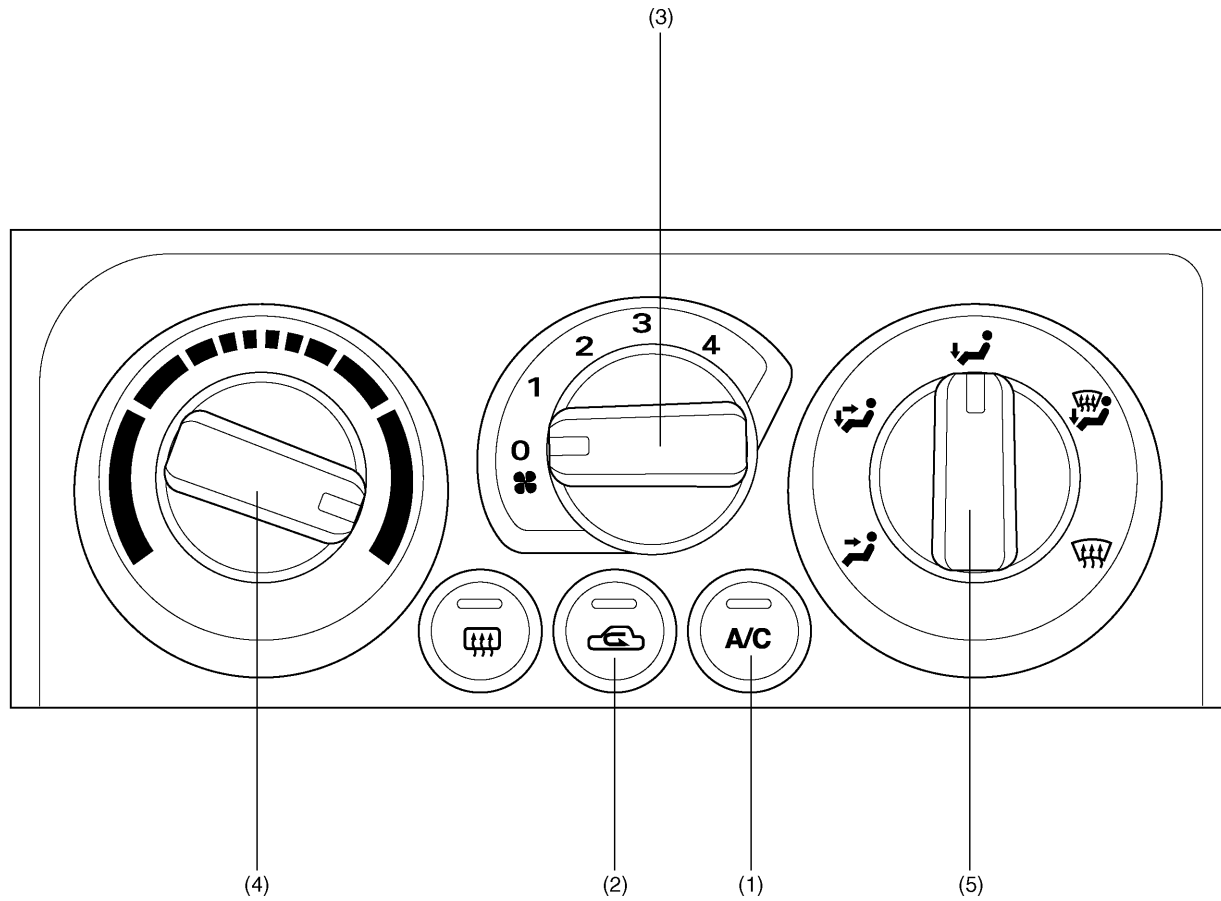


## SWITCH FUNCTIONS

HVAC System (Heater, Ventilator and A/C)

### 2. Switch Functions



(1)	Air conditioner switch	Indicator	<sup>**1</sup> ON		OFF		
		Compressor	ON		OFF		
		<sup>*1</sup> : When the fan switch is turned ON, the indicator and compressor also turn ON.					
(2)	Recirculation switch	Indicator	ON		OFF		
		Intake door position	Recirc		Fresh		
(3)	Fan switch	Switch position	1	2	3	4	
		Fan speed	1st (slow)	2nd	3rd	4th (fast)	
(4)	Temperature control switch	Any temperature can be selected between COLD and HOT.					
(5)	Mode selector switch	Switch position				<sup>**2</sup>	<sup>**2</sup>
		Air outlet	Ventilator	Ventilator and heater	Heater	Defroster and heater	Defroster
		<sup>**2</sup> : When the defroster position is selected, the air conditioner switch automatically turns ON and the recirculation switch automatically turns OFF (to Fresh mode).					

B4H2540A

AC-3