

## CONDENSER

HVAC System (Heater, Ventilator and A/C)

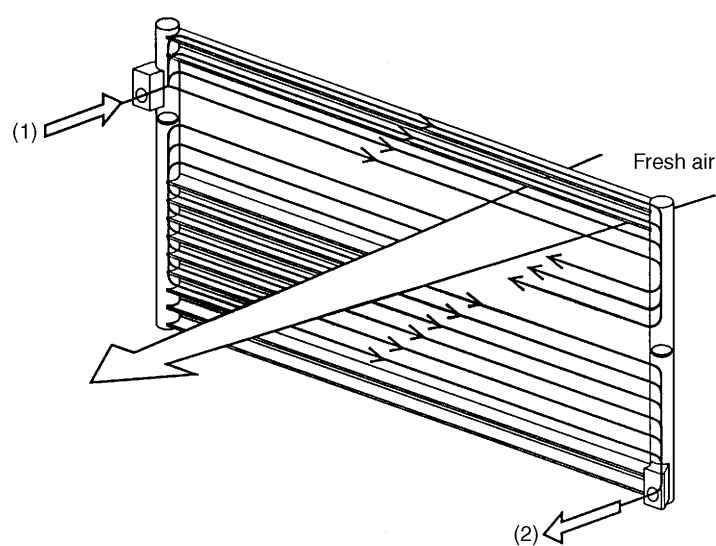
### 10. Condenser

#### A: MECHANISM

The high-temperature and high-pressure gaseous refrigerant discharged from the compressor is cooled down and converted into liquid by the condenser.

The condenser consists of tubes and radiating fins.

The heat of the refrigerant flowing through the condenser tubes is released into the ambient air which is caused to flow across the fins by the cooling fan.



B4H1508A

- (1) Refrigerant inlet (High-pressure gaseous refrigerant)
- (2) Refrigerant outlet (High-pressure liquid refrigerant)

AC-19