

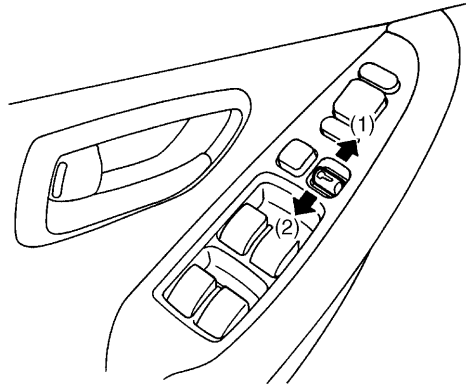
POWER DOOR LOCK

Security and Locks

2. Power Door Lock

A: CONSTRUCTION

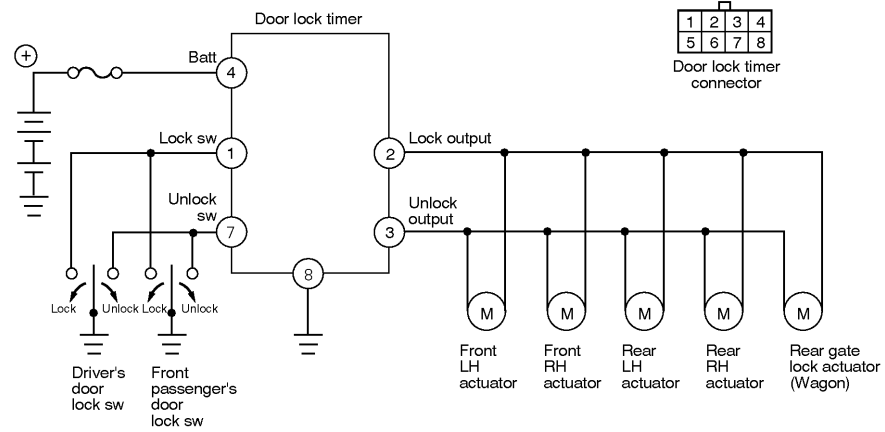
The power door lock system consists of driver's and front passenger's door lock switches, front door lock actuators, rear door lock actuators, and a rear gate lock actuator (WAGON).



B6H1298A

- (1) Lock
- (2) Unlock

B: CIRCUIT DIAGRAM



B6H0759B

SL-3