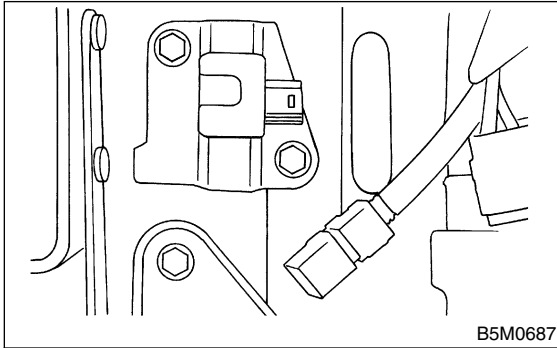


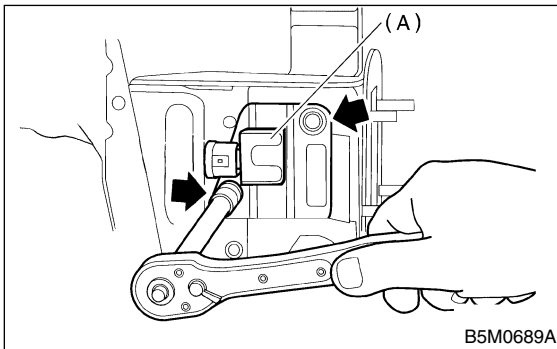
12. Front Sub Sensor S802300

A: REMOVAL S802300A18

- 1) Turn ignition switch OFF.
- 2) Disconnect ground cable from battery, and wait for at least 20 seconds before starting work.
- 3) Remove front bumper. <Ref. to EI-14, REMOVAL, Front Bumper.>
- 4) Disconnect connector from front sub sensor.



- 5) Remove front sub sensor (A).



B: INSTALLATION S802300A11

Install in the reverse order of removal.

C: INSPECTION S802300A10

Check for the following, and replace damaged parts with new parts.

- Front sub sensor, mounting bracket, and connector are damaged.