

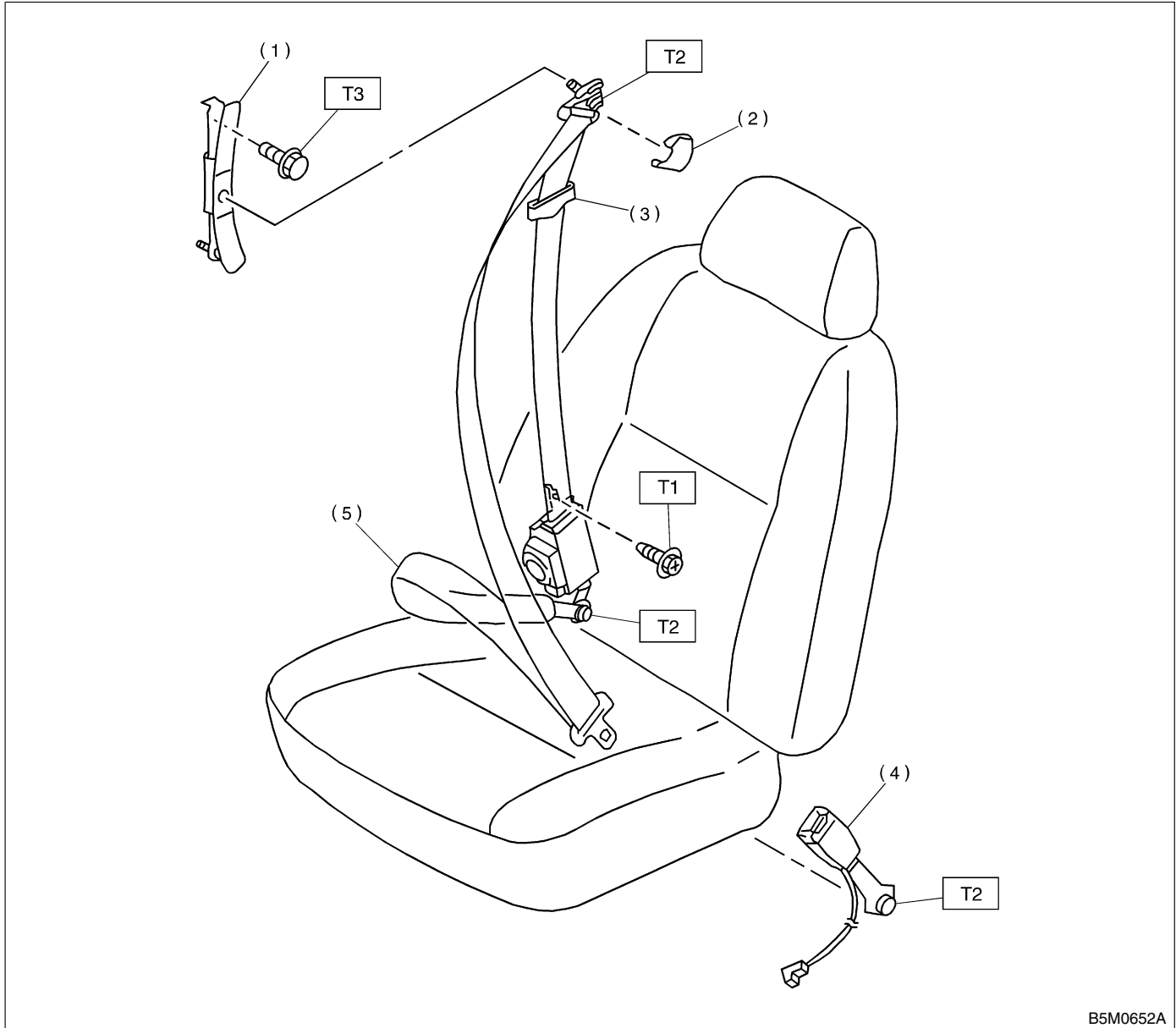
# GENERAL DESCRIPTION

Seat Belt System

## 1. General Description SB01001

### A: COMPONENT SB01001A05

#### 1. FRONT SEAT BELT SB01001A0501



(1) Adjuster anchor ASSY

(2) Anchor cover

(3) Webbing guide

(4) Inner belt ASSY

(5) Outer belt ASSY

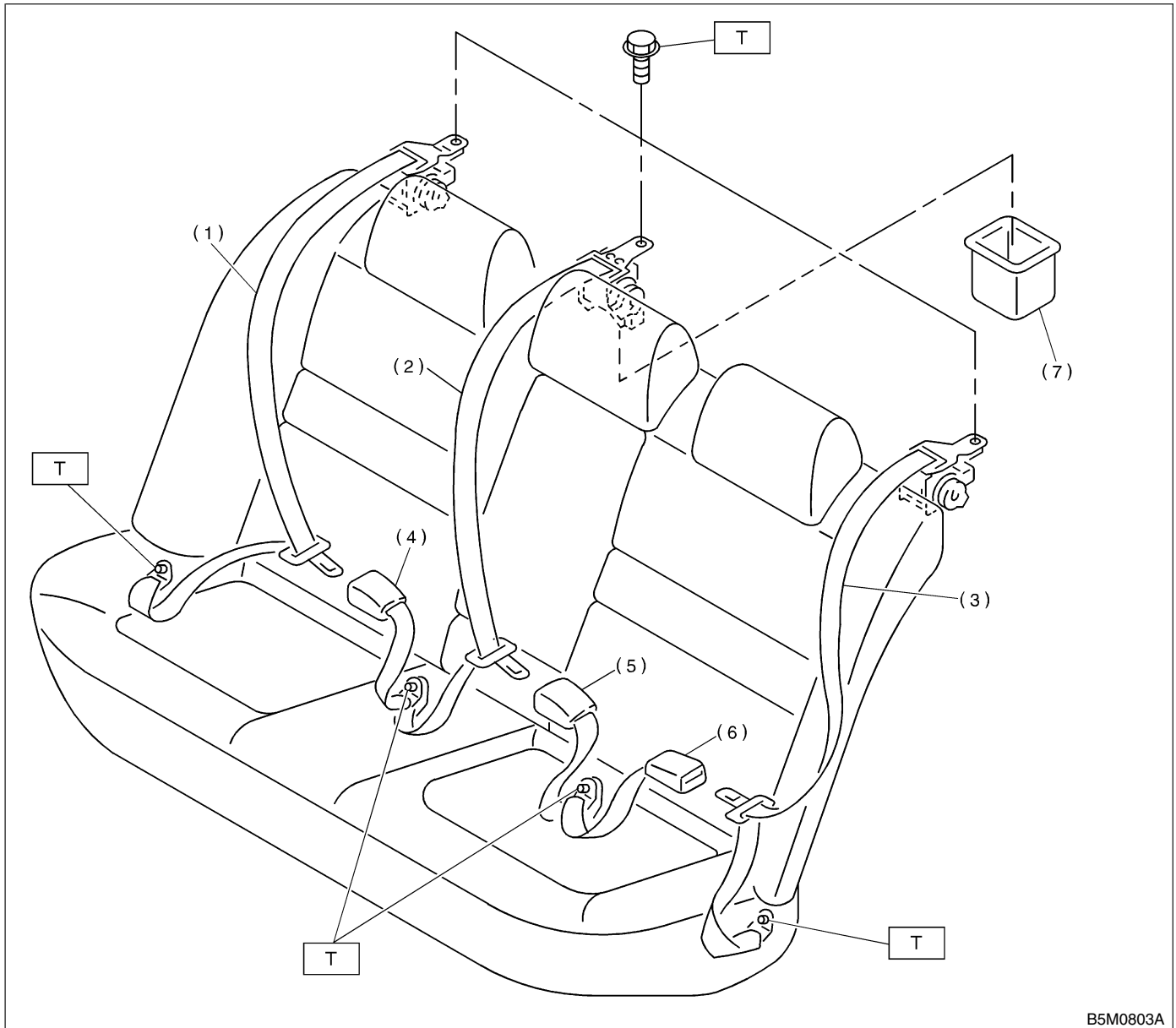
**Tightening torque: N·m (kgf·m, ft·lb)**

**T1: 7.5 (0.76, 5.5)**

**T2: 30 (3.1, 22)**

**T3: 53 (5.4, 39)**

## 2. REAR SEAT BELT (SEDAN BODY) S801001A0502



B5M0803A

- |                            |                            |
|----------------------------|----------------------------|
| (1) Outer seat belt RH     | (5) Inner seat belt CENTER |
| (2) Outer seat belt CENTER | (6) Inner seat belt LH     |
| (3) Outer seat belt LH     | (7) Case center ELR        |
| (4) Inner seat belt RH     |                            |

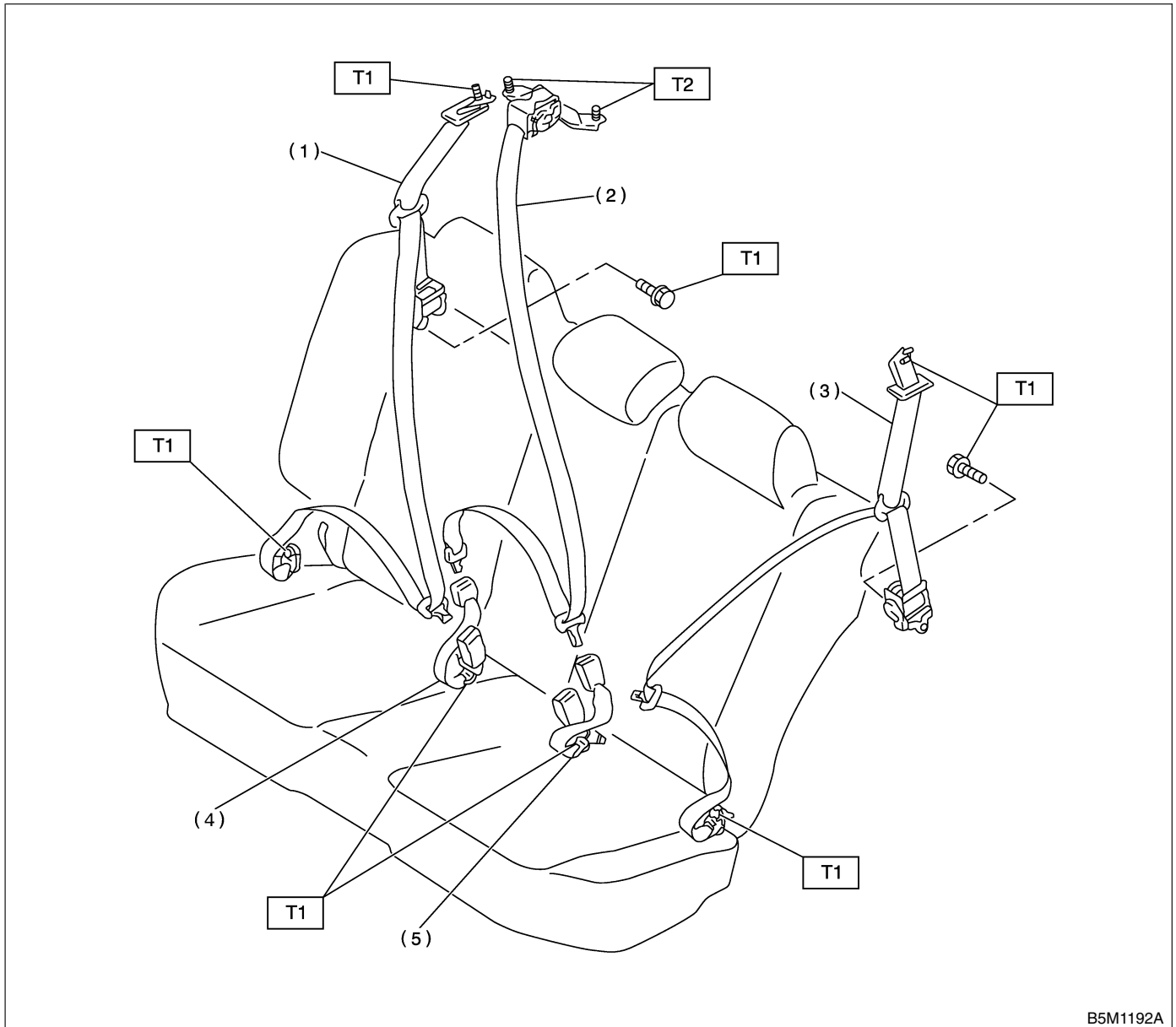
**Tightening torque: N·m (kgf·m, ft·lb)**

**T: 30 (3.1, 22)**

# GENERAL DESCRIPTION

Seat Belt System

## 3. REAR SEAT BELT (WAGON BODY) S801001A0503



B5M1192A

- (1) Outer seat belt RH
- (2) Outer seat belt CENTER
- (3) Outer seat belt LH
- (4) Inner seat belt RH

- (5) Inner seat belt LH

**Tightening torque: N·m (kgf·m, ft·lb)**

**T1: 30 (3.1, 22)**

**T2: 53 (5.4, 39)**

## **B: CAUTION** SB01001A03

- Before starting, turn the ignition switch off, disconnect the battery ground cable and wait for 20 seconds or more.
- The pretension system has a backup power source. The pretensioner might deploy if you do not wait for 20 seconds or more before starting
- Do not drop or apply any impact to the pretensioner.
- If oil, grease, or water gets on the pretensioner, wipe it off immediately with a dry cloth.
- Do not expose the pretensioner to high temperature or flame.
- Do not allow current to flow through or voltage to reach the pretensioner. Do not use a circuit tester to check resistance of the pretensioner.
- Do not disassemble or attempt to repair the pretensioner. If it is dented, cracked, or deformed, replace it with a new one.
- Do not use the air bag or pretensioner parts from other vehicles. Always replace parts with new parts
- When handling a seat belt with a deployed pretensioner, wear gloves and goggles. Wash your hands afterwards.
- Do not re-use a seat belt with a deployed pretensioner again.
- If the material gets in your eyes or on your skin during deployment, wash it away with clean water, and then consult a doctor.