

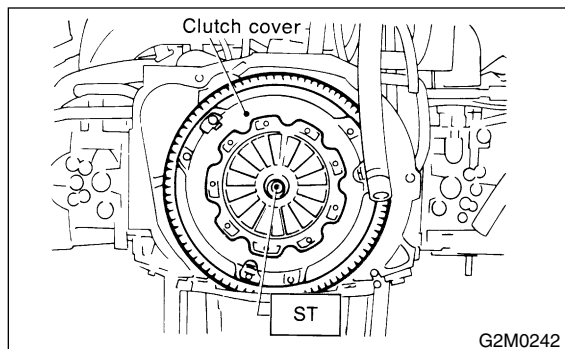
3. Flywheel S504250

A: REMOVAL S504250A18

1) Remove transmission assembly. <Ref. to MT-27, REMOVAL, Manual Transmission Assembly.>

2) Install ST on flywheel.

ST 498497100 CRANKSHAFT STOPPER



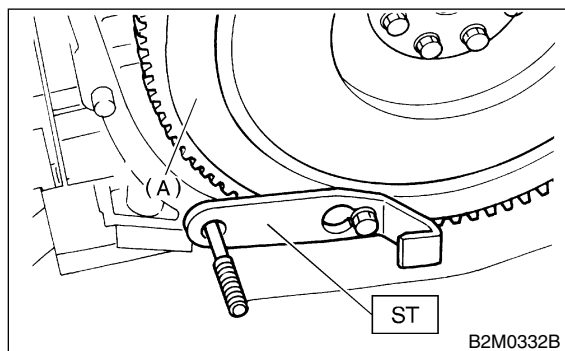
3) Remove clutch cover and clutch disc. <Ref. to CL-8, REMOVAL, Clutch Disc and Cover.>

NOTE:

- Take care not to allow oil on the clutch disc facing.
- Do not disassemble either clutch cover and clutch disc.

4) Using ST, remove flywheel.

ST 498497100 CRANKSHAFT STOPPER

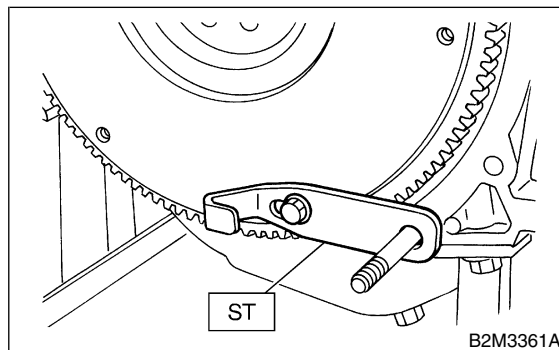


(A) Flywheel

B: INSTALLATION S504250A11

1) Install flywheel and ST.

ST 498497100 CRANKSHAFT STOPPER



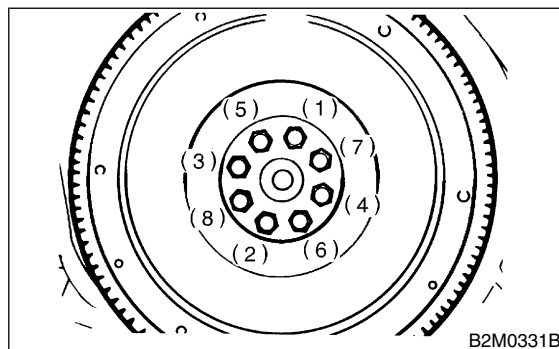
2) Tighten the flywheel attaching bolts to the specified torque.

NOTE:

Tighten flywheel installing bolts gradually. Each bolt should be tightened to the specified torque in a crisscross fashion.

Tightening torque:

72 N·m (7.3 kgf·m, 52.8 ft·lb)



3) Install clutch disc and cover. <Ref. to CL-8, INSTALLATION, Clutch Disc and Cover.>

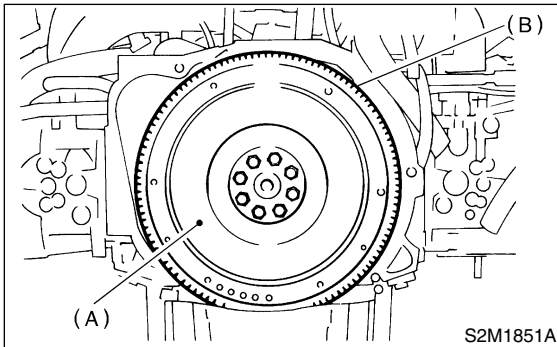
4) Install transmission assembly. <Ref. to MT-29, INSTALLATION, Manual Transmission Assembly.>

C: INSPECTION S504250A10

NOTE:

Since this bearing is grease sealed and is of a non-lubrication type, do not wash with gasoline or any solvent.

- 1) Damage of facing and ring gear
If defective, replace flywheel.



- (A) Flywheel
- (B) Ring gear

- 2) Smoothness of rotation

Rotate ball bearing applying pressure in thrust direction.

- 3) If noise or excessive play is noted, replace flywheel.