

CLUTCH FLUID AIR BLEEDING

Clutch System

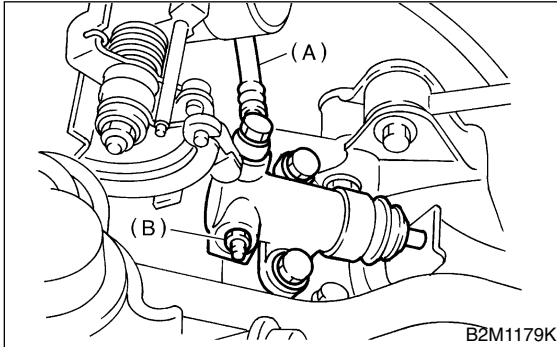
9. Clutch Fluid Air Bleeding S504260

A: PROCEDURE S504260E45

NOTE:

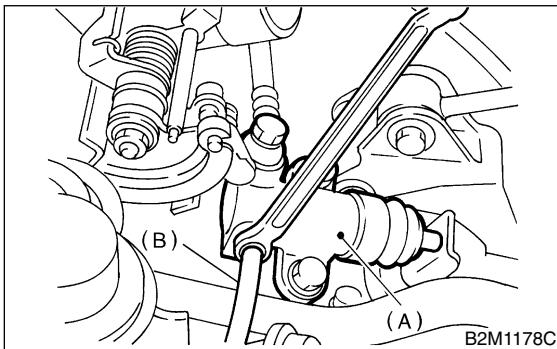
Bleed air from oil line with the help of a co-worker.

- 1) Remove air cleaner case. <Ref. to IN-6, REMOVAL, Air Cleaner Case.>
- 2) Fit one end of a vinyl tube into the air bleeder of operating cylinder and put the other end into a brake fluid container.



- (A) Clutch hose
- (B) Air bleeder

- 3) Slowly depress the clutch pedal and keep it depressed. Then open the air bleeder to discharge air together with the fluid. Release the air bleeder for 1 or 2 seconds. Next, with the bleeder closed, slowly release the clutch pedal.



- (A) Operating cylinder
- (B) Vinyl tube

- 4) Repeat these steps until there are no more air bubbles in the vinyl tube.

CAUTION:

Cover bleeder with waste cloth when loosening it, to prevent brake fluid from being splashed over surrounding parts.

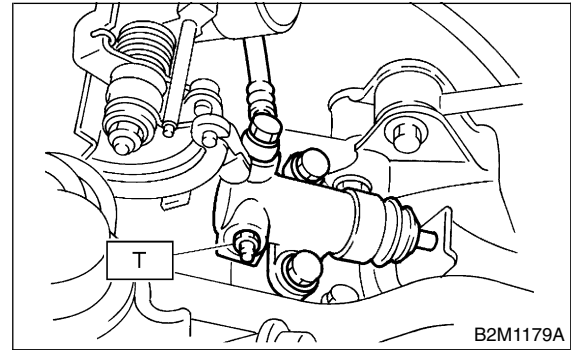
NOTE:

During bleeding operation, keep the clutch reservoir tank filled with brake fluid to eliminate entry of air.

- 5) Tighten air bleeder.

Tightening torque:

T: 8 N·m (0.8 kgf-m, 5.8 ft-lb)



- 6) Check the clutch fluid level. <Ref. to CL-19, INSPECTION, Clutch Fluid.>
- 7) After depressing the clutch pedal, make sure that there are no leaks evident in the entire system.
- 8) After bleeding air from system, ensure that clutch operates properly.