

# TRANSMISSION MOUNTING SYSTEM

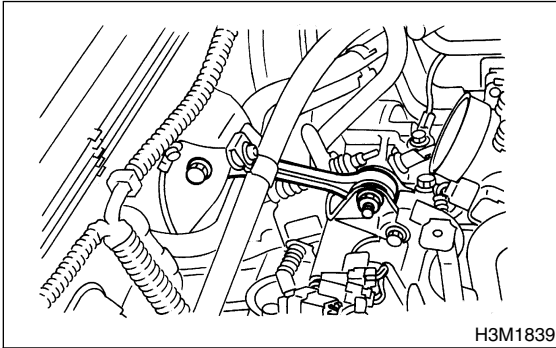
Manual Transmission and Differential

## 4. Transmission Mounting System S503233

### A: REMOVAL S503233A18

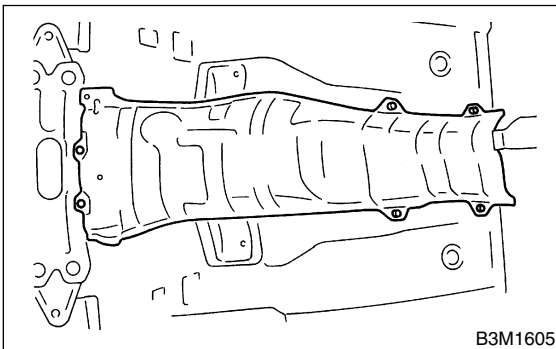
#### 1. PITCHING STOPPER S503233A1801

- 1) Disconnect battery ground cable.
- 2) Remove the cleaner case. <Ref. to IN-6, REMOVAL, Air Cleaner Case.>
- 3) Remove the pitching stopper.



#### 2. CROSSMEMBER AND CUSHION RUBBER S503233A1802

- 1) Disconnect battery ground cable.
- 2) Jack-up vehicle and support it with sturdy racks.
- 3) Remove the front, center, rear exhaust pipes and muffler. <Ref. to EX-5, REMOVAL, Front Exhaust Pipe.>, <Ref. to EX-9, REMOVAL, Rear Exhaust Pipe.> and <Ref. to EX-10, REMOVAL, Muffler.>
- 4) Remove the heat shield cover.

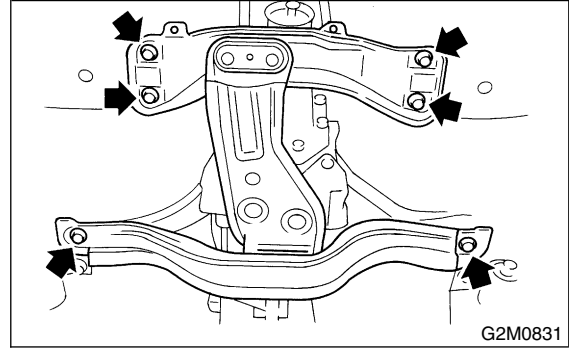


- 5) Set the transmission jack under the transmission body.

### CAUTION:

Always support transmission case with a transmission jack.

- 6) Remove the rear crossmember.



- 7) Remove the rear cushion rubber.

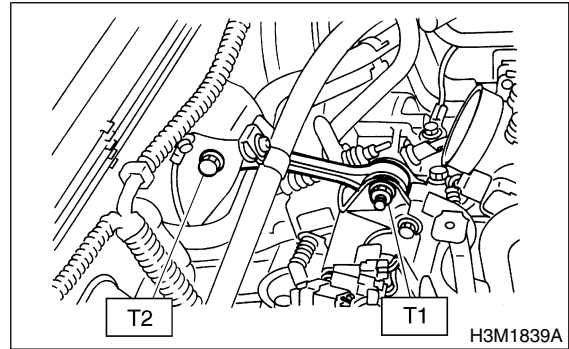
### B: INSTALLATION S503233A11

#### 1. PITCHING STOPPER S503233A1101

- 1) Install the pitching stopper.

#### Tightening torque:

- T1: 50 N·m (5.1 kgf-m, 37 ft-lb)
- T2: 58 N·m (5.9 kgf-m, 43 ft-lb)



- 2) Install the cleaner case. <Ref. to IN-6, INSTALLATION, Air Cleaner Case.>
- 3) Connect battery ground cable.

## 2. CROSSMEMBER AND CUSHION RUBBER

S503233A1102

1) Install the rear cushion rubber.

### **Tightening torque:**

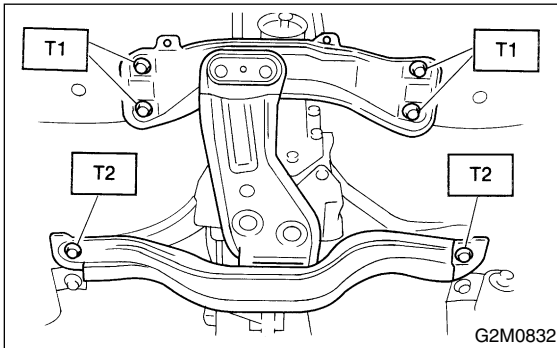
**35 N·m (3.6 kgf-m, 26 ft-lb)**

2) Install the crossmember.

### **Tightening torque:**

**T1: 75 N·m (7.6 kgf-m, 55 ft-lb)**

**T2: 140 N·m (14.3 kgf-m, 103 ft-lb)**



- 3) Remove the transmission jack.
  - 4) Install the heat shield cover.
  - 5) Install the front, center, rear exhaust pipes and the muffler.
- <Ref. to EX-6, INSTALLATION, Front Exhaust Pipe.>, <Ref. to EX-9, INSTALLATION, Rear Exhaust Pipe.> and <Ref. to EX-10, INSTALLATION, Muffler.>

## C: INSPECTION

S503233A10

Repair or replace parts if the results of the inspection below are not satisfactory.

### 1. PITCHING STOPPER

S503233A1001

Make sure that the pitching stopper is not bent or damaged. Make sure that the rubber is not stiff, cracked, or otherwise damaged.

## 2. CROSSMEMBER AND CUSHION RUBBER

S503233A1002

Make sure that the crossmember is not bent or damaged. Make sure that the cushion rubber is not stiff, cracked, or otherwise damaged.