

PREPARATION FOR OVERHAUL

Manual Transmission and Differential

8. Preparation for Overhaul S503091

A: PROCEDURE S503091E45

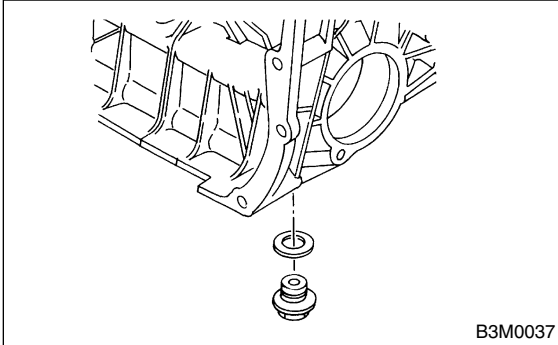
- 1) Clean oil, grease, dirt and dust from transmission.
- 2) Remove drain plug to drain oil. After draining, retighten it as before.

NOTE:

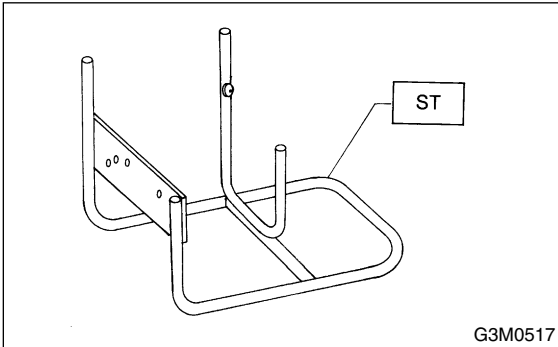
Do not reuse gasket. Prepare a new gasket.

Tightening torque:

44 N·m (4.5 kgf-m, 32.5 ft-lb)



- 3) Attach transmission to ST.
ST 499937100 TRANSMISSION STAND SET



- 4) Rotating parts should be coated with oil prior to assembly.
- 5) All disassembled parts, if to be reused, should be reinstalled in the original positions and directions.
- 6) Gaskets, lock washers and lock nut must be replaced with new ones.
- 7) Liquid gasket should be used where specified to prevent leakage.