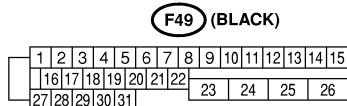
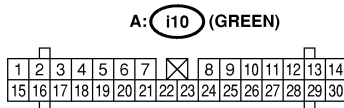
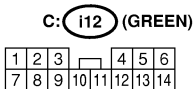
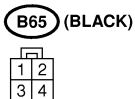
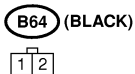
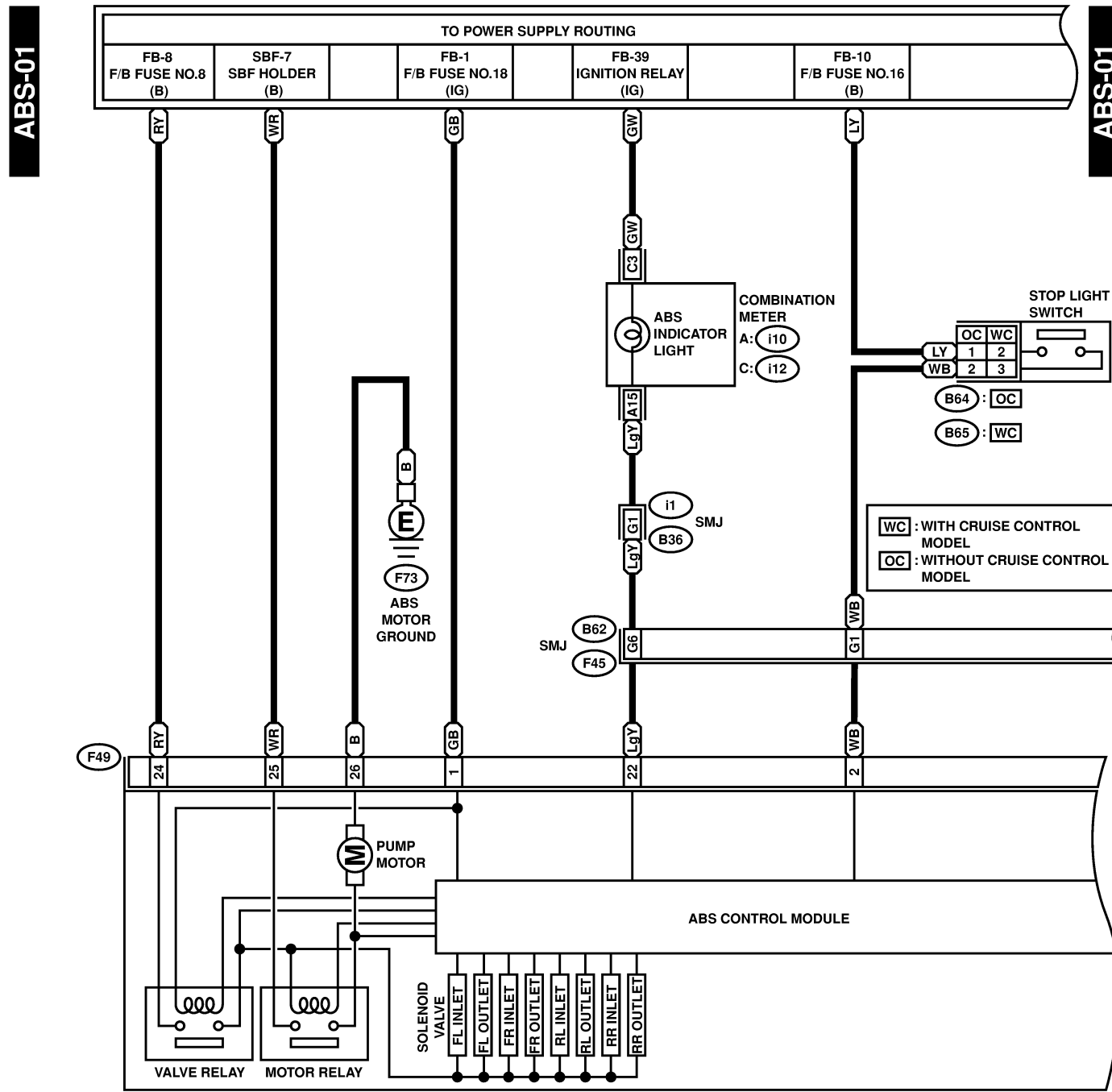


ANTI-LOCK BRAKE SYSTEM

Wiring System

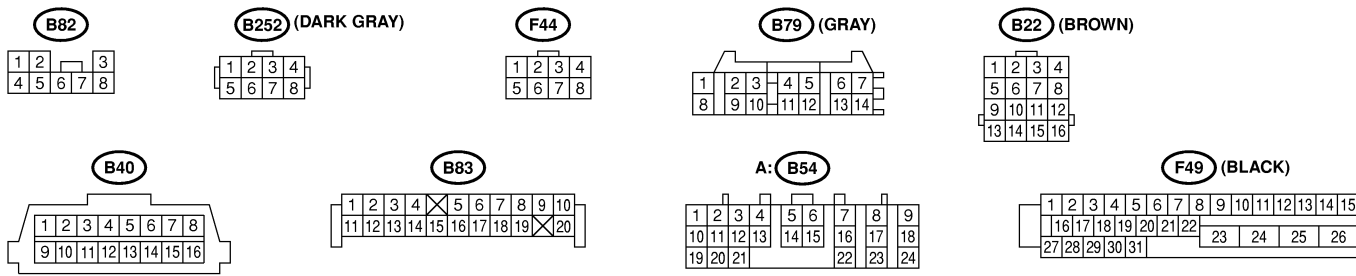
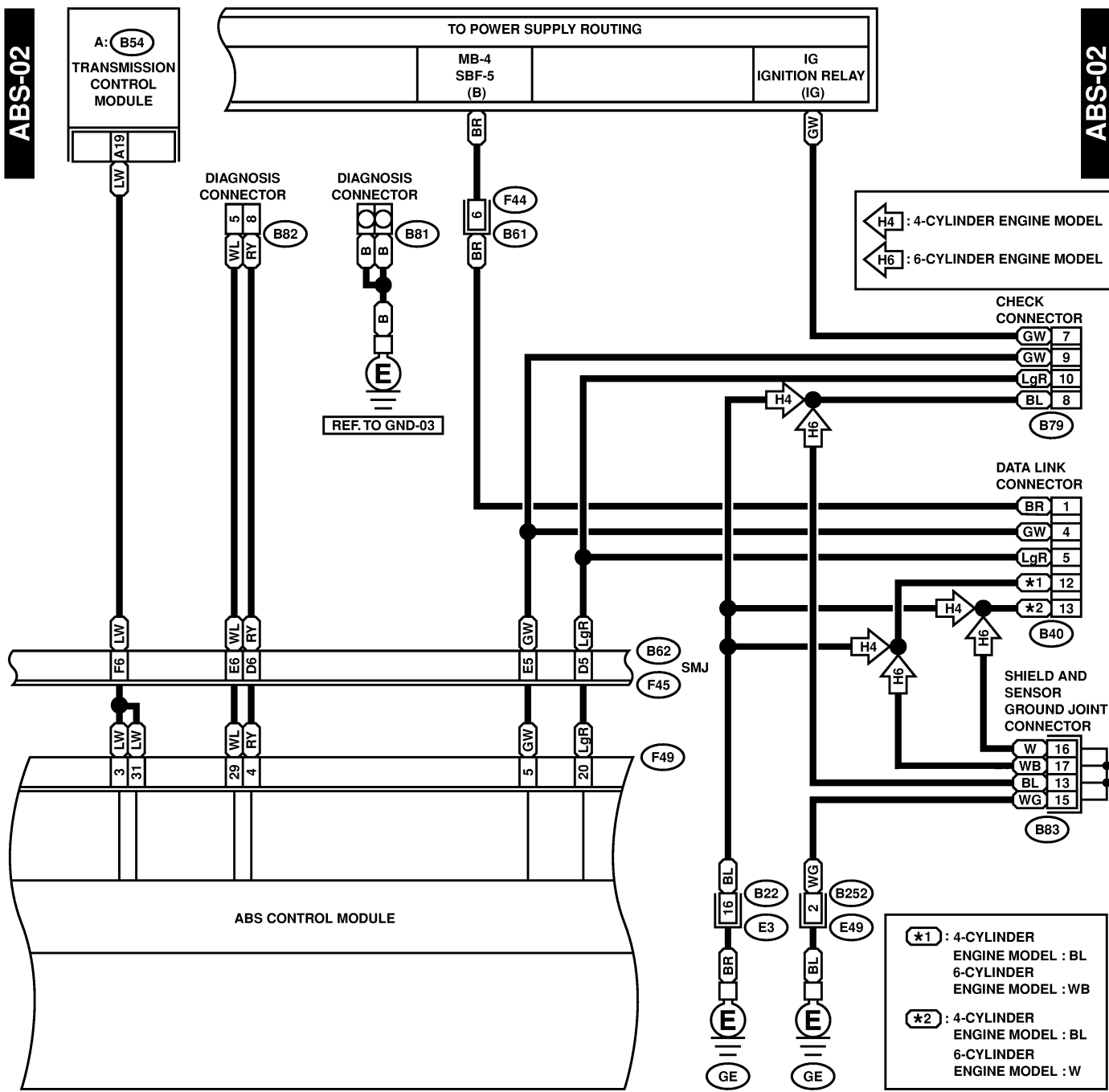
9. Anti-lock Brake System S903484

A: SCHEMATIC S903484A21



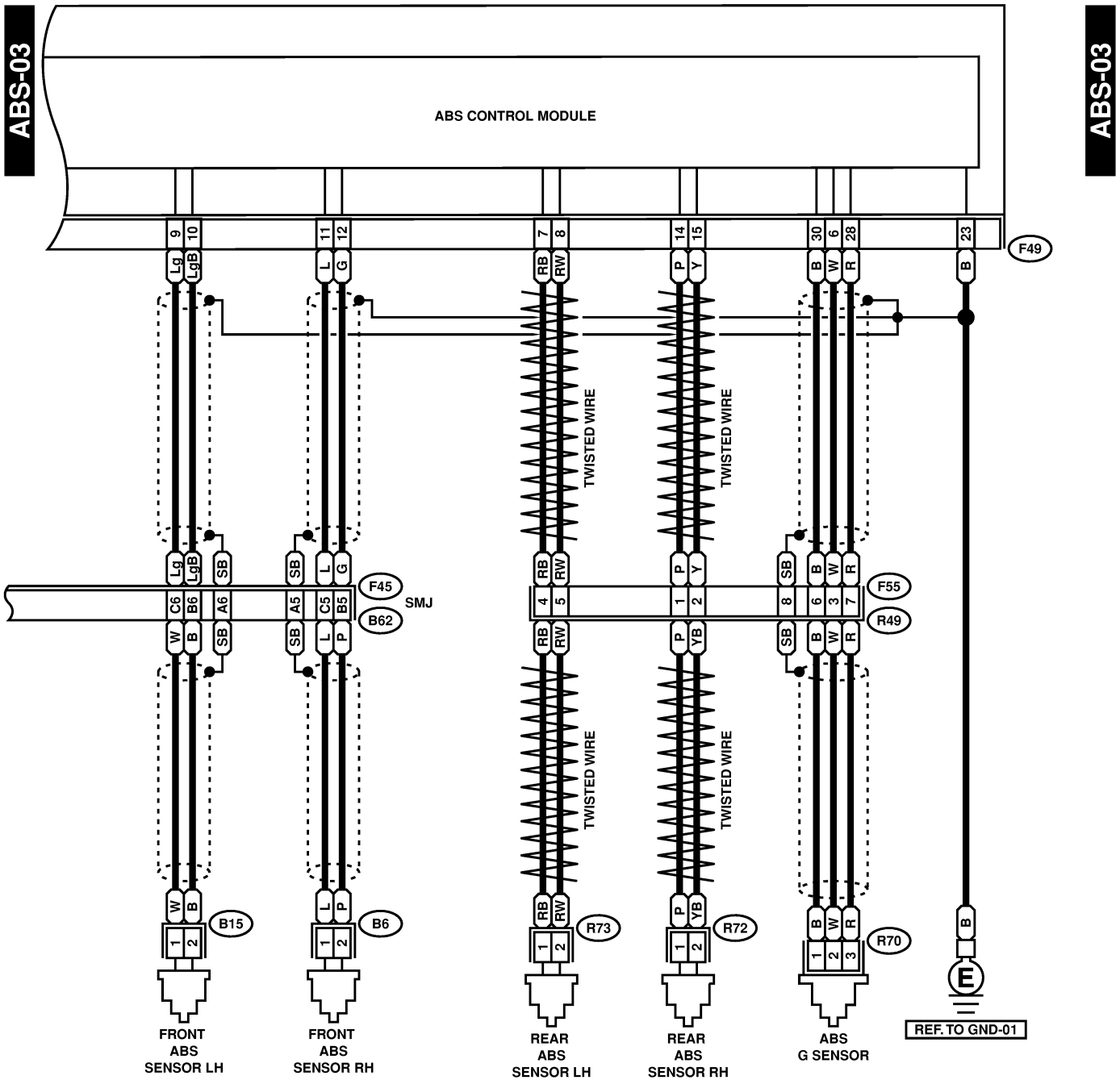
ANTI-LOCK BRAKE SYSTEM

Wiring System



ANTI-LOCK BRAKE SYSTEM

Wiring System



- B6 : *1 R72 (GRAY)
- B15 : *1 R73 (GRAY)

- R70 (BLACK)

- F55
- | | | | |
|---|---|---|---|
| 1 | 2 | 3 | 4 |
| 5 | 6 | 7 | 8 |

- F49 (BLACK)
- | | | | | | | | | | | | | | | |
|----|----|----|----|----|----|----|----|----|----|----|----|----|----|----|
| 1 | 2 | 3 | 4 | 5 | 6 | 7 | 8 | 9 | 10 | 11 | 12 | 13 | 14 | 15 |
| 16 | 17 | 18 | 19 | 20 | 21 | 22 | 23 | 24 | 25 | 26 | | | | |
| 27 | 28 | 29 | 30 | 31 | | | | | | | | | | |

*1 : OUT BACK: (BROWN)
OTHER MODELS: (GRAY)

MEMO: