

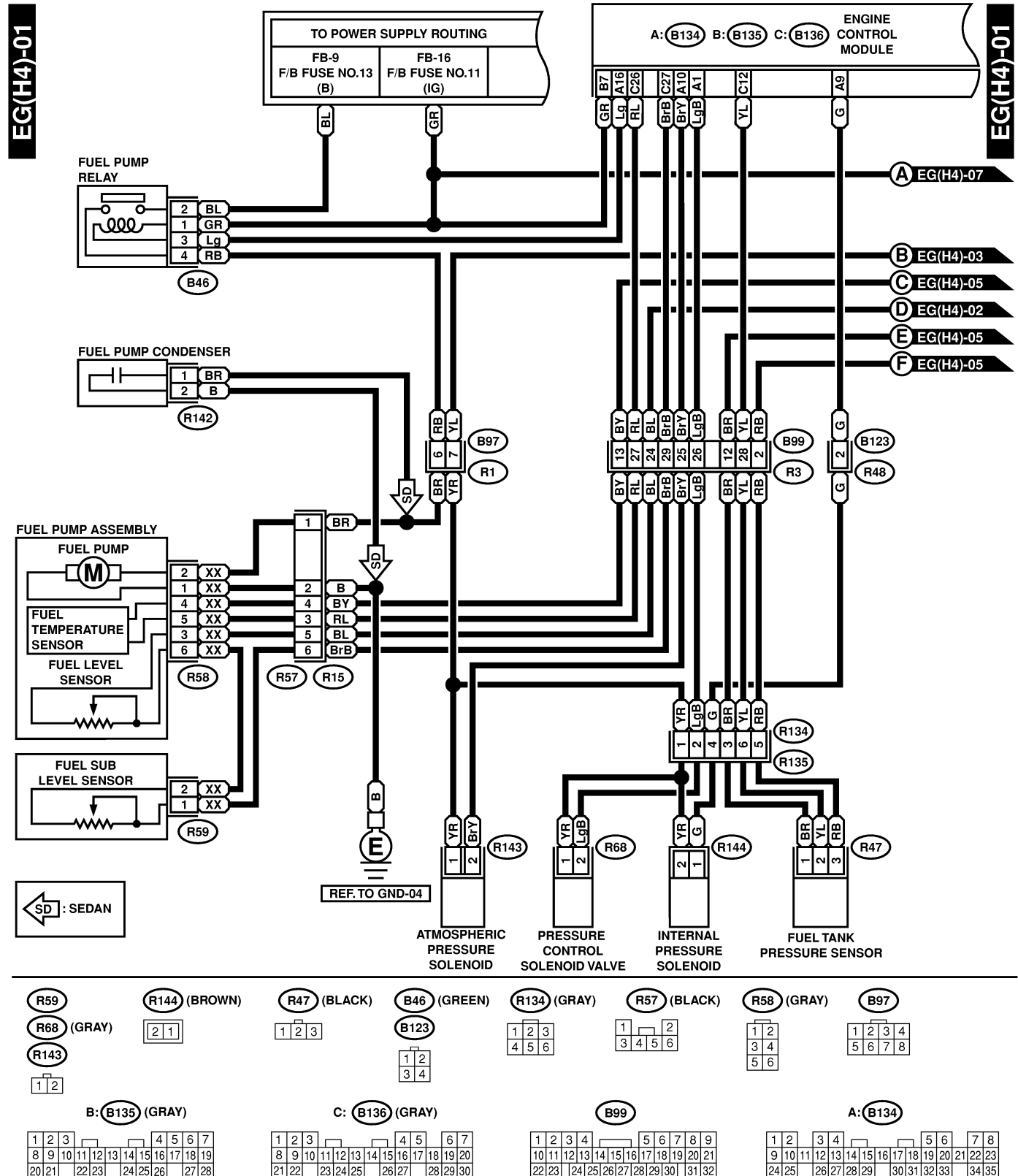
ENGINE ELECTRICAL SYSTEM

Wiring System

18. Engine Electrical System S903482

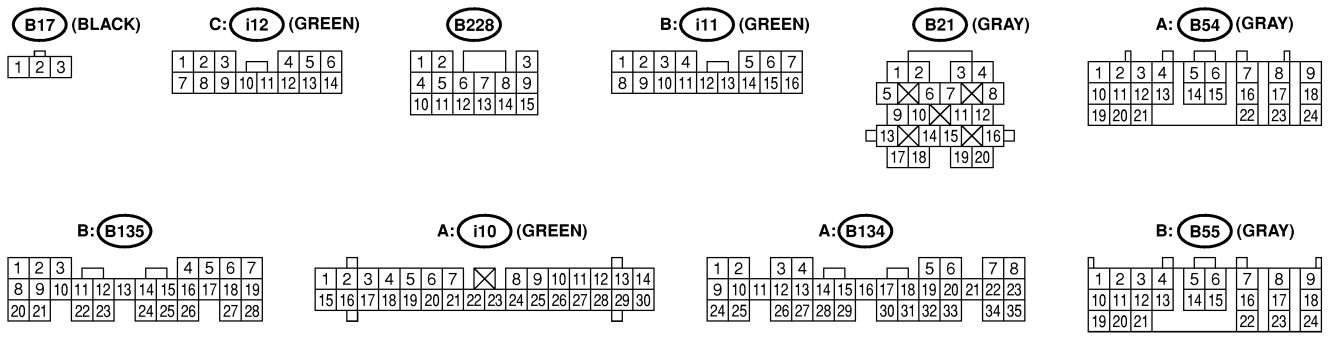
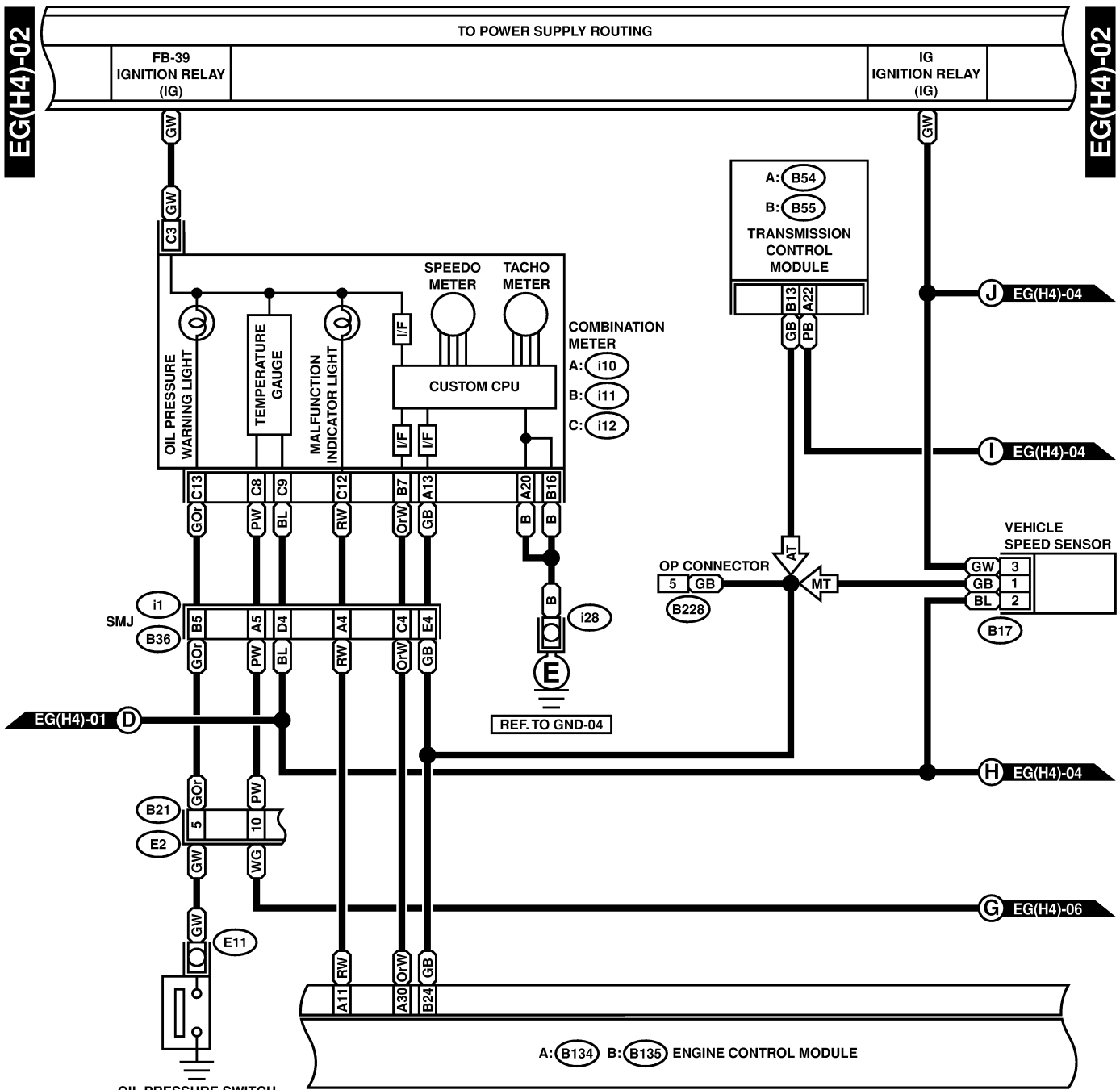
A: SCHEMATIC S903482A21

1. 4-CYLINDER ENGINE MODEL S903482A2132



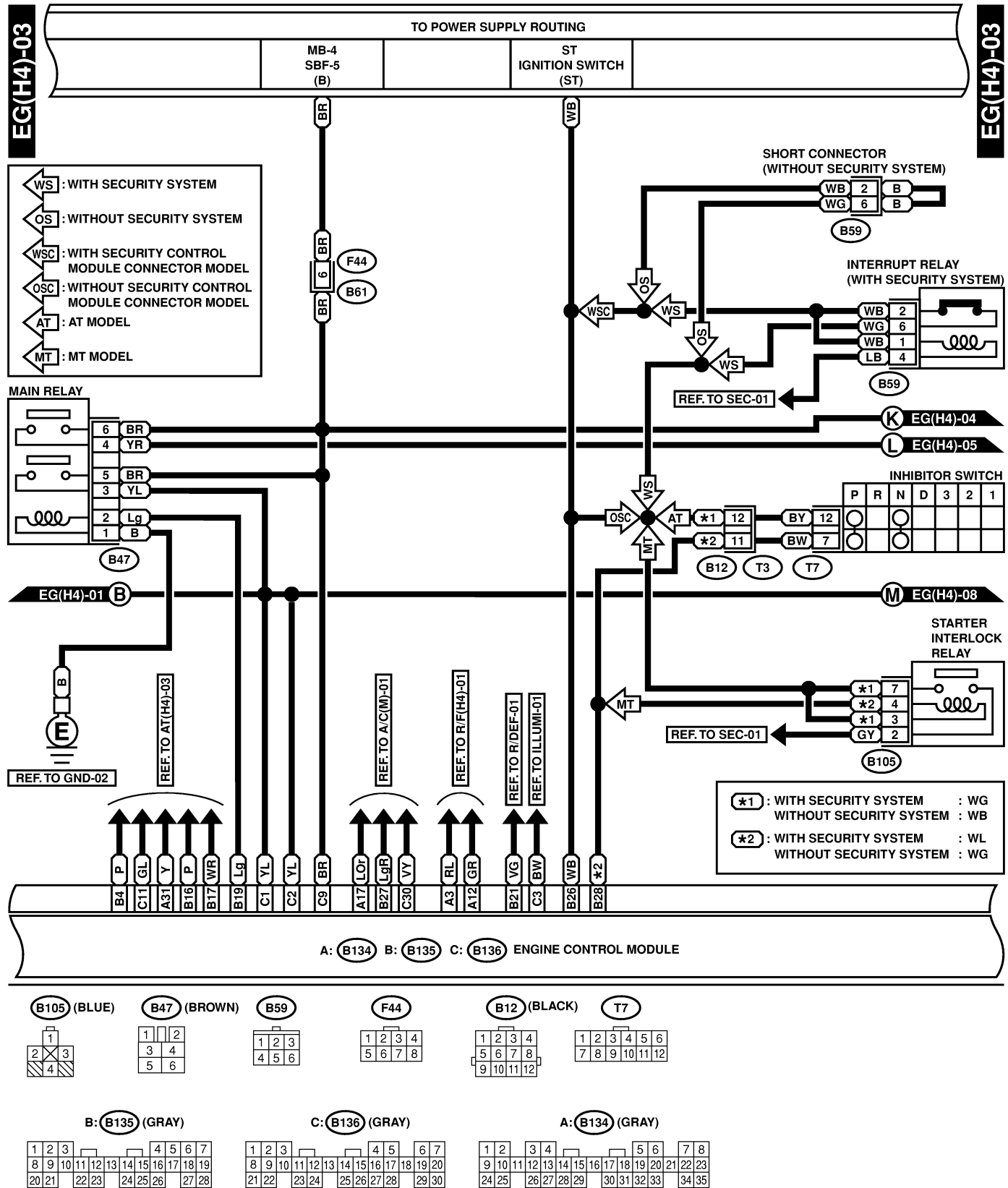
ENGINE ELECTRICAL SYSTEM

Wiring System



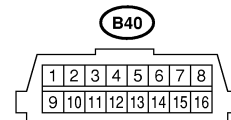
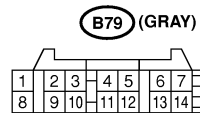
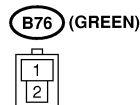
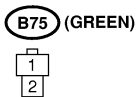
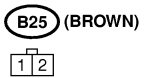
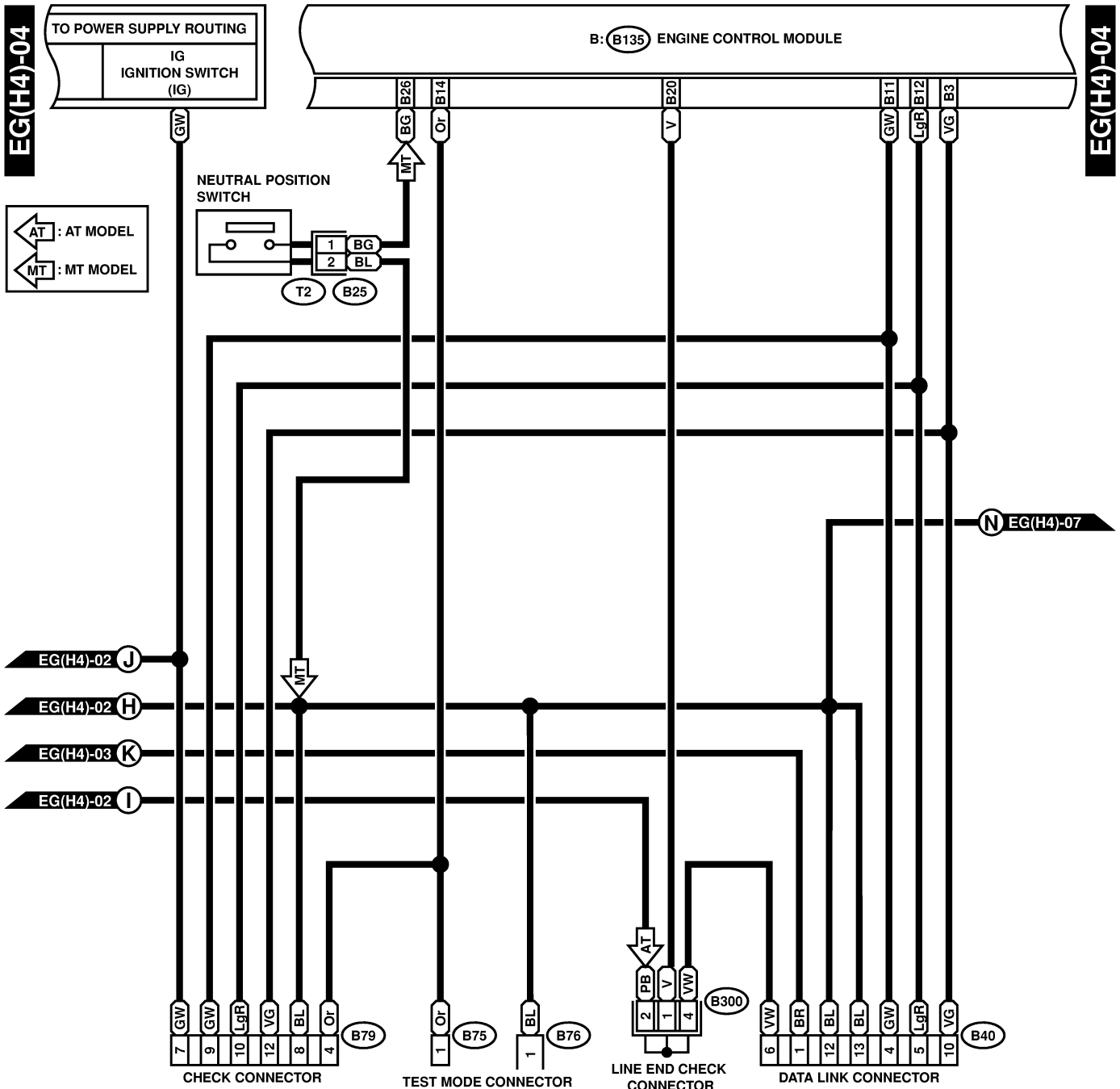
ENGINE ELECTRICAL SYSTEM

Wiring System



ENGINE ELECTRICAL SYSTEM

Wiring System

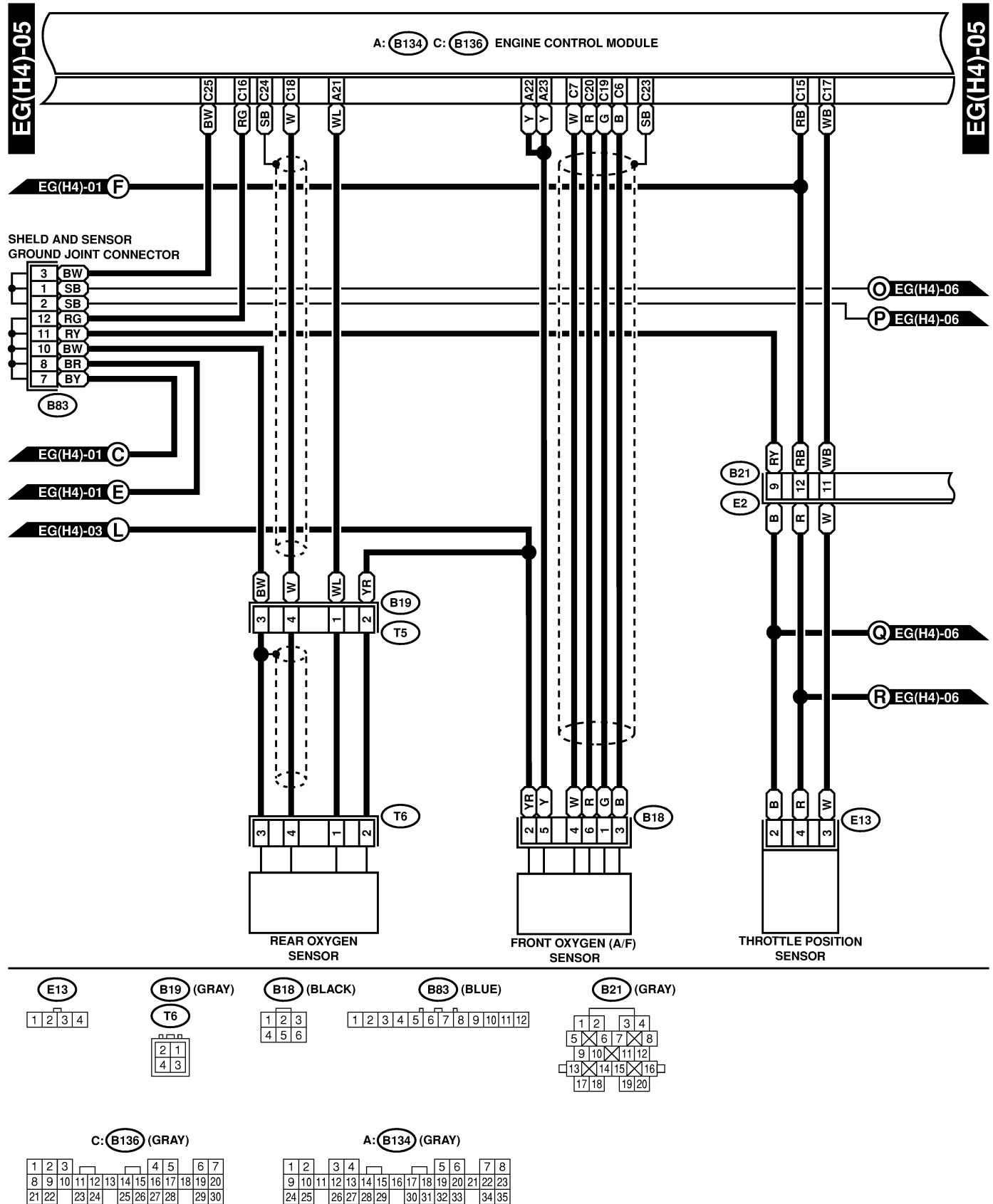


B: (B135) (GRAY)



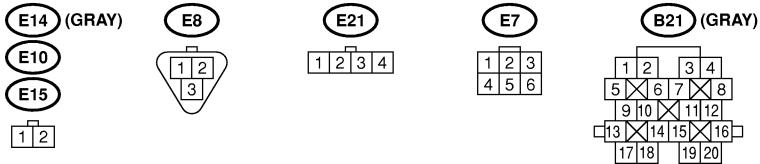
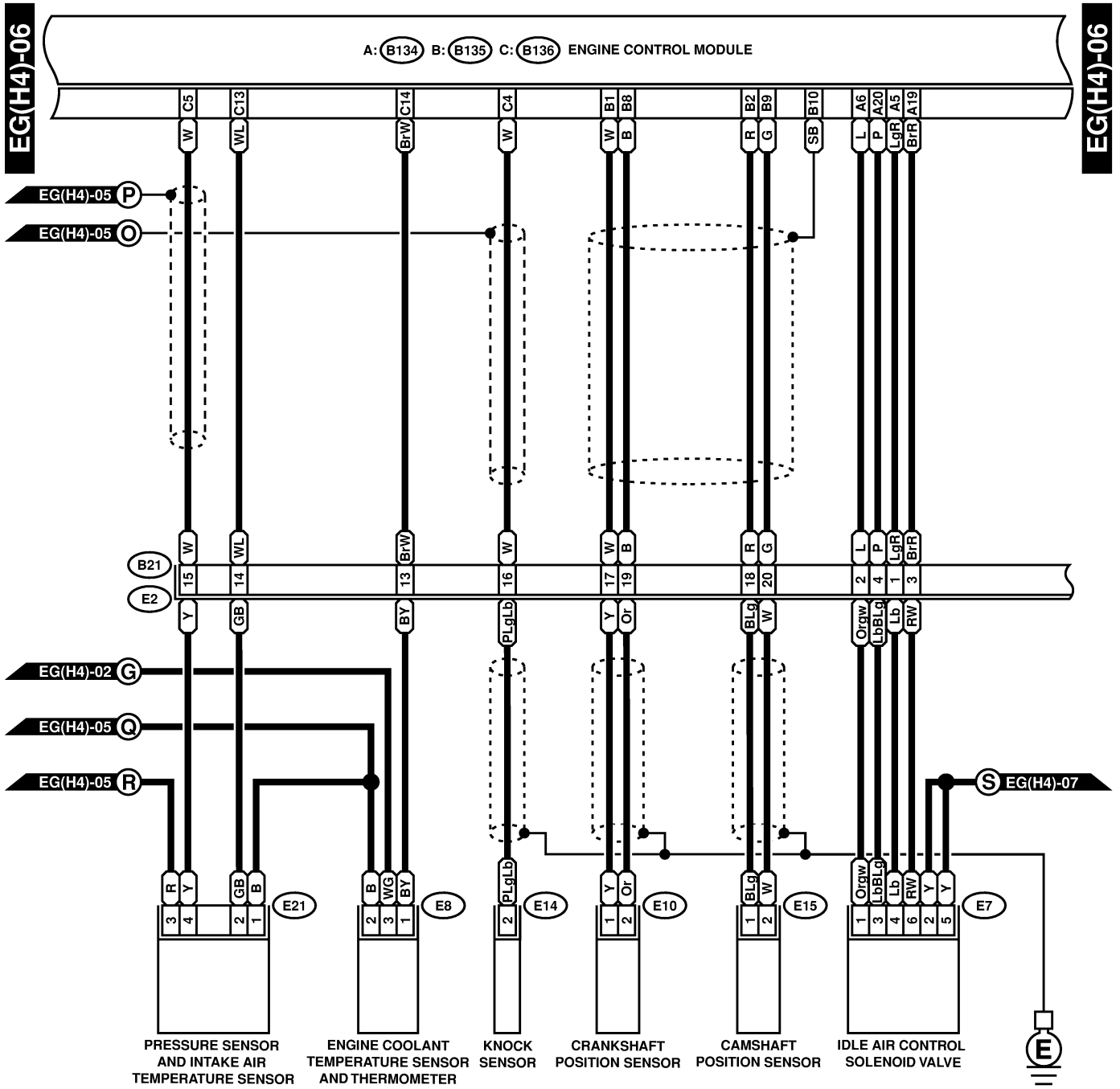
ENGINE ELECTRICAL SYSTEM

Wiring System



ENGINE ELECTRICAL SYSTEM

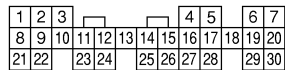
Wiring System



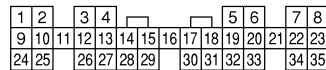
B: B135 (GRAY)



C: B136 (GRAY)

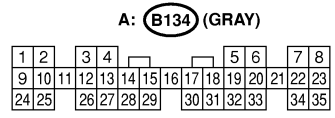
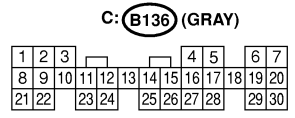
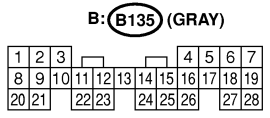
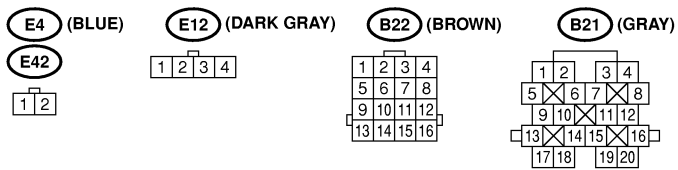
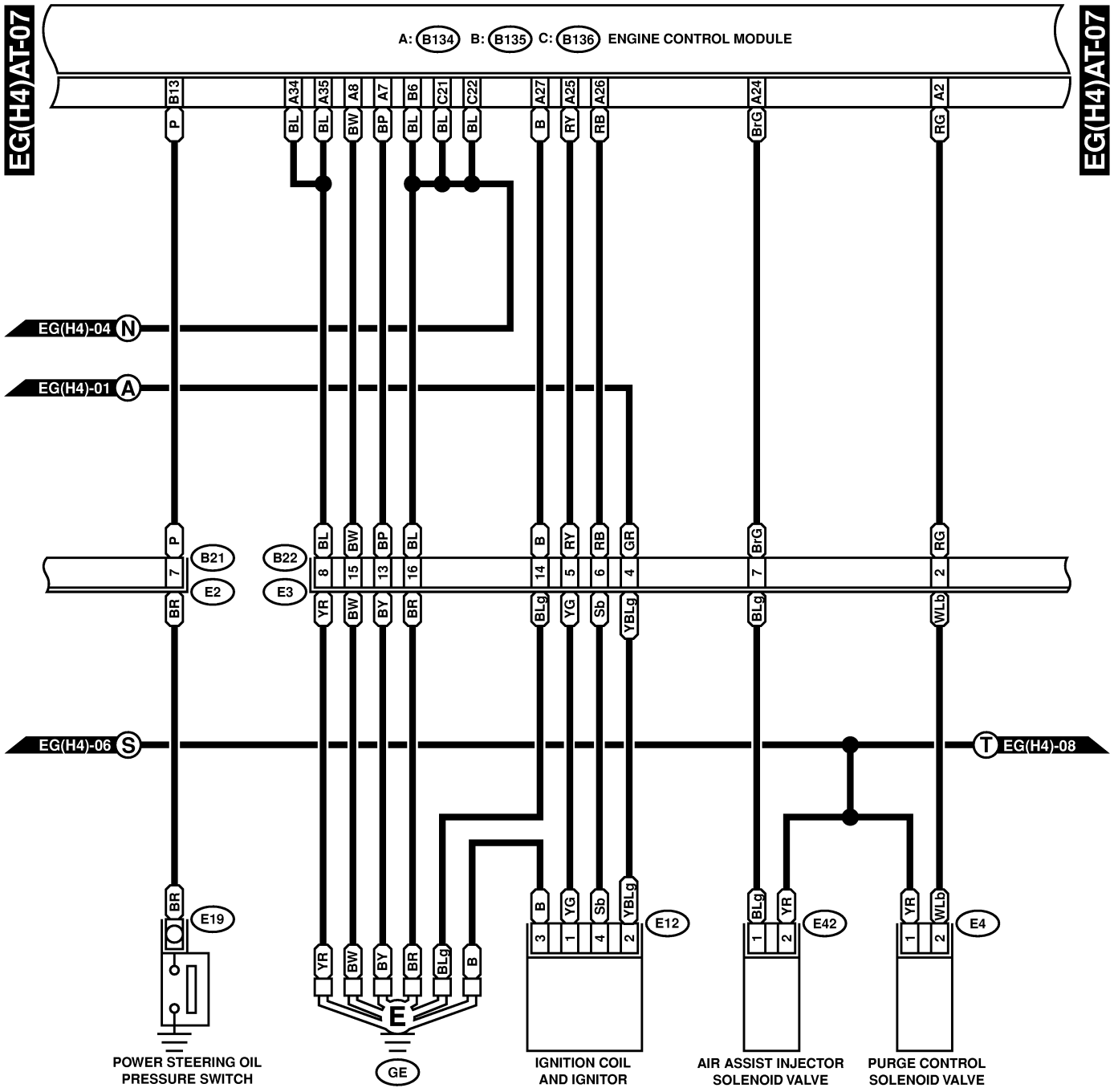


A: B134 (GRAY)



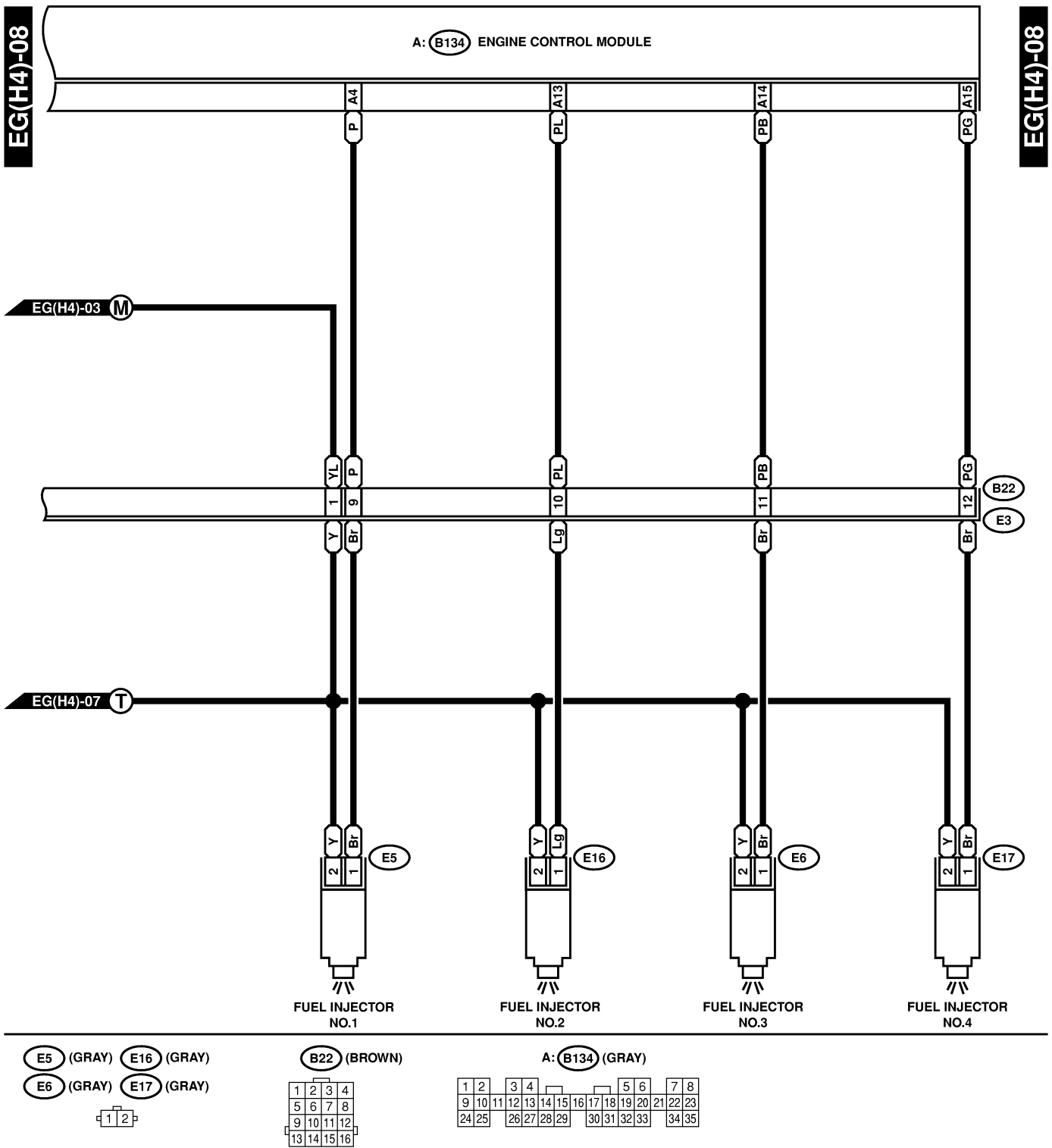
ENGINE ELECTRICAL SYSTEM

Wiring System



ENGINE ELECTRICAL SYSTEM

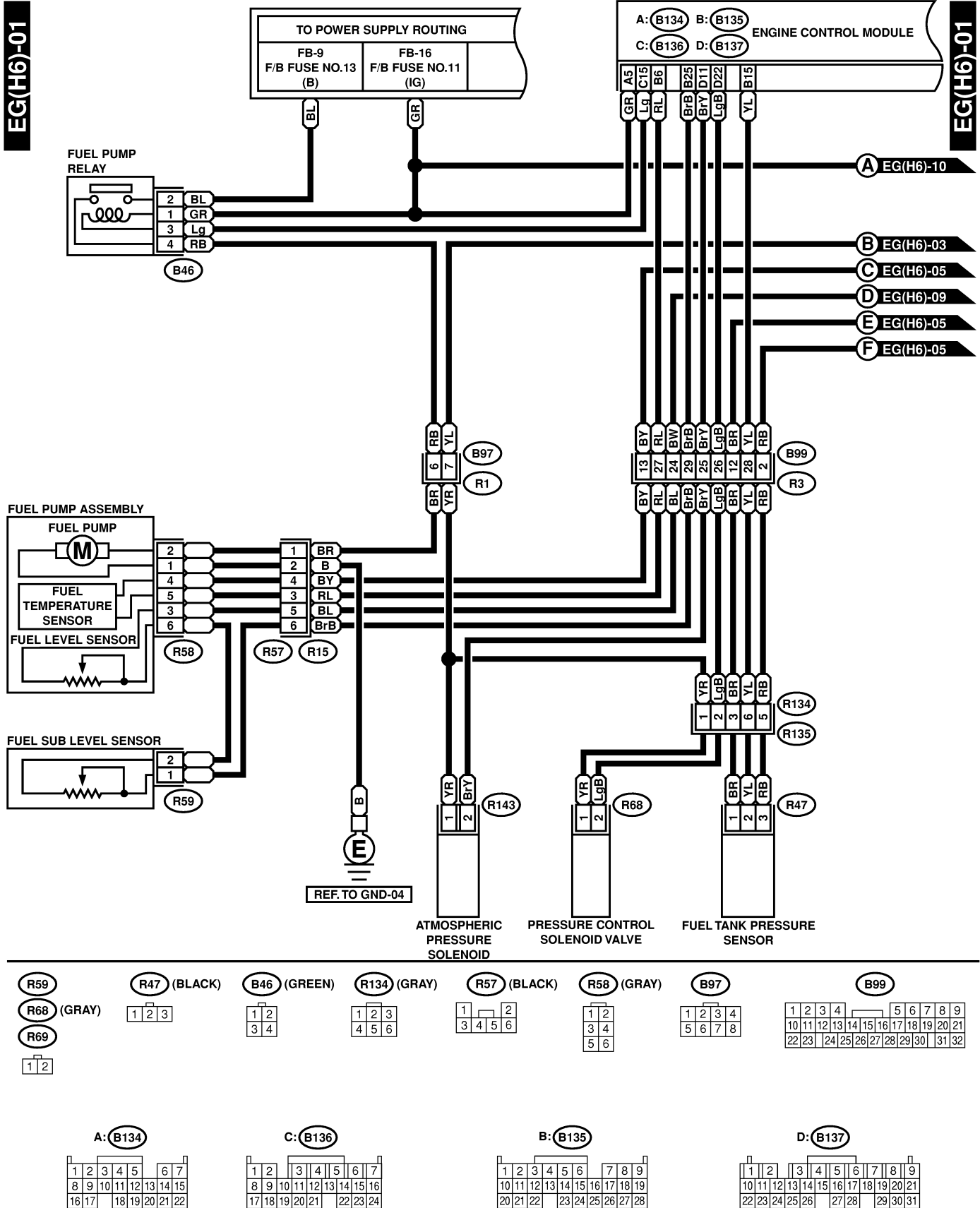
Wiring System



ENGINE ELECTRICAL SYSTEM

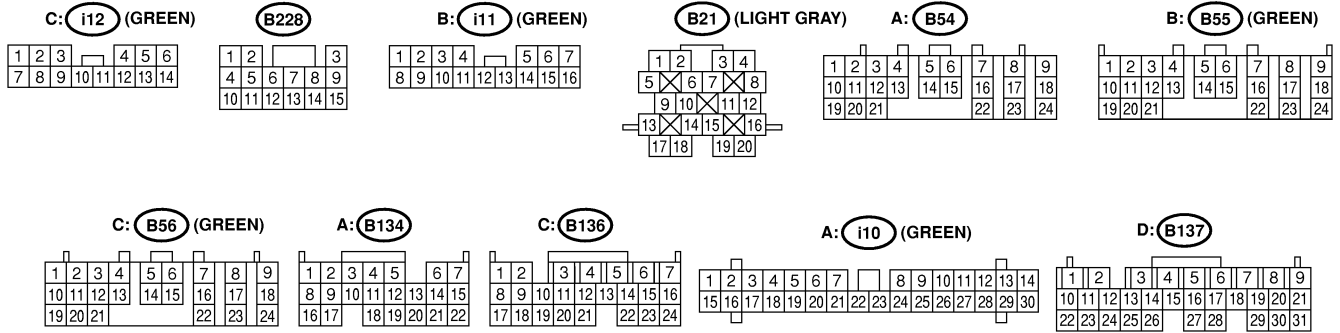
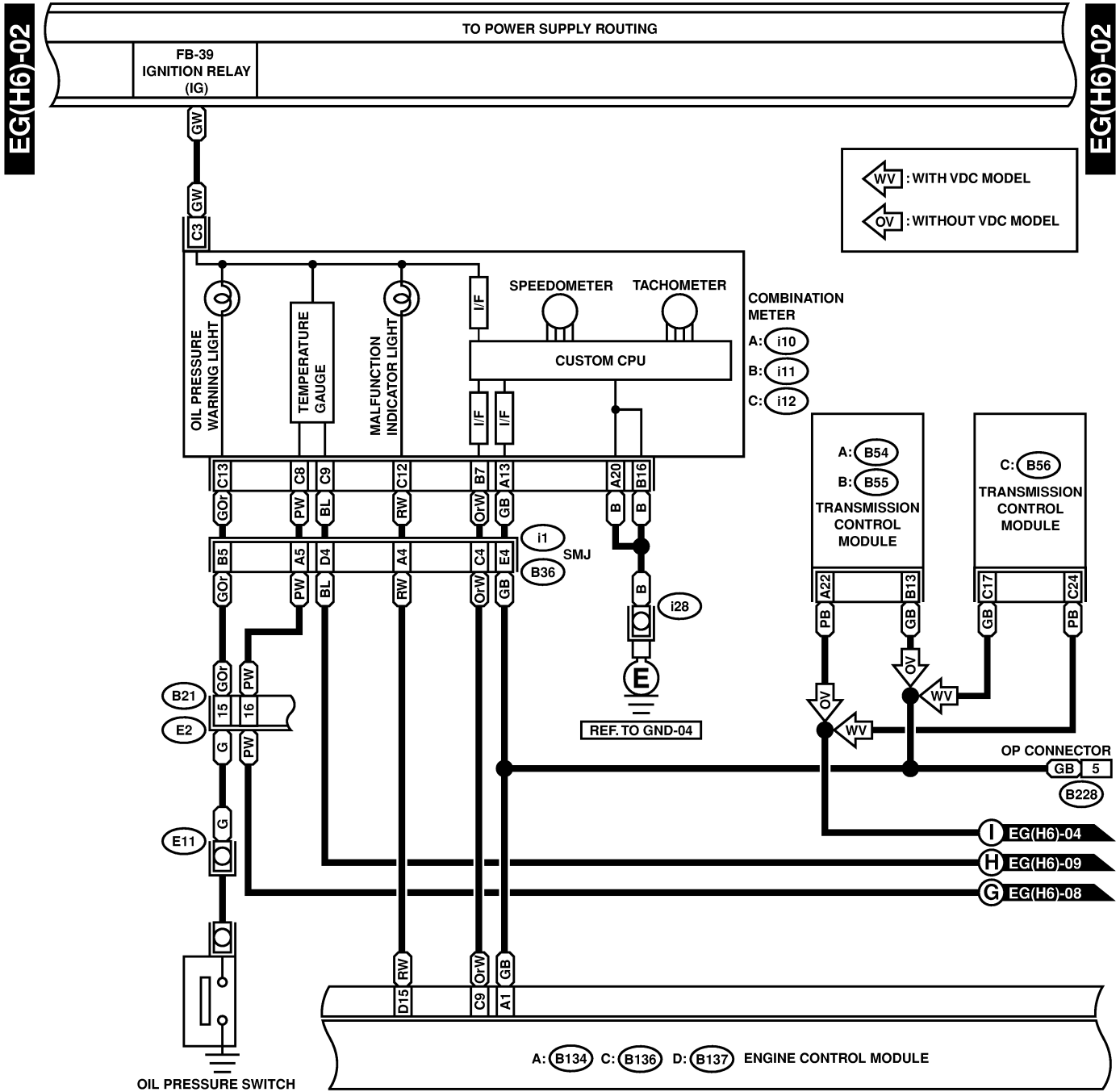
Wiring System

2. 6-CYLINDER ENGINE MODEL S903482A2105



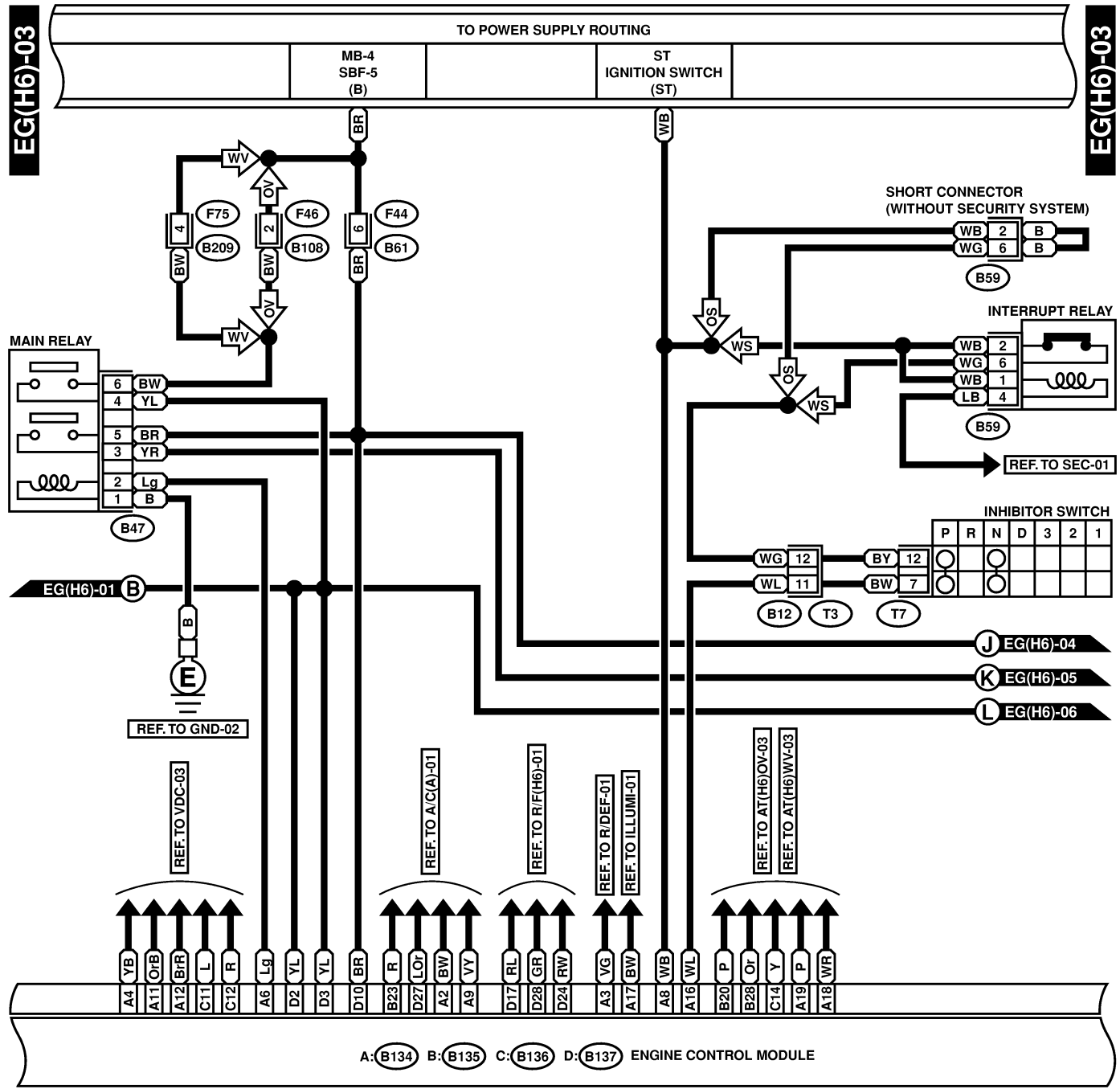
ENGINE ELECTRICAL SYSTEM

Wiring System



ENGINE ELECTRICAL SYSTEM

Wiring System



B47 (BROWN)

1	2
3	4
5	6

B59

1	2	3
4	5	6

F44
F75 (BLACK)

1	2	3	4
5	6	7	8

B12 (BLACK)

1	2	3	4
5	6	7	8
9	10	11	12

T7

1	2	3	4	5	6
7	8	9	10	11	12

F46

1	2	3	4	5	6	7	8	9			
10	11	12	13	14	15	16	17	18	19	20	21
22	23	24	25	26	27	28	29	30	31	32	

A: B134

1	2	3	4	5	6	7	
8	9	10	11	12	13	14	15
16	17	18	19	20	21	22	

C: B136

1	2	3	4	5	6	7		
8	9	10	11	12	13	14	15	16
17	18	19	20	21	22	23	24	

B: B135

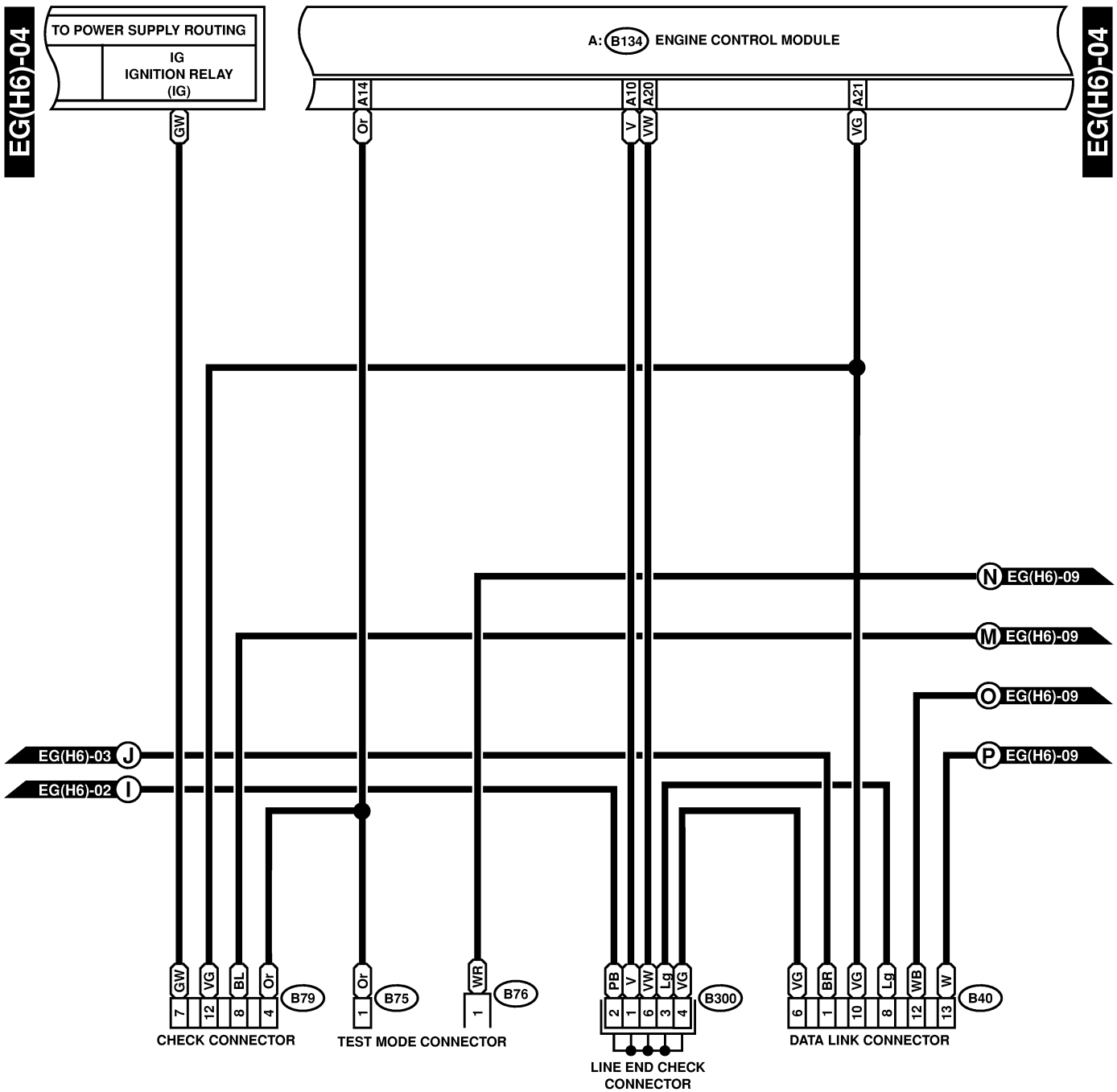
1	2	3	4	5	6	7	8	9	
10	11	12	13	14	15	16	17	18	19
20	21	22	23	24	25	26	27	28	

D: B137

1	2	3	4	5	6	7	8	9			
10	11	12	13	14	15	16	17	18	19	20	21
22	23	24	25	26	27	28	29	30	31		

ENGINE ELECTRICAL SYSTEM

Wiring System



B75 (GREEN)



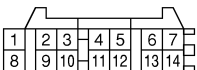
B76 (GREEN)



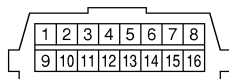
B300



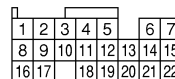
B79 (GRAY)



B40

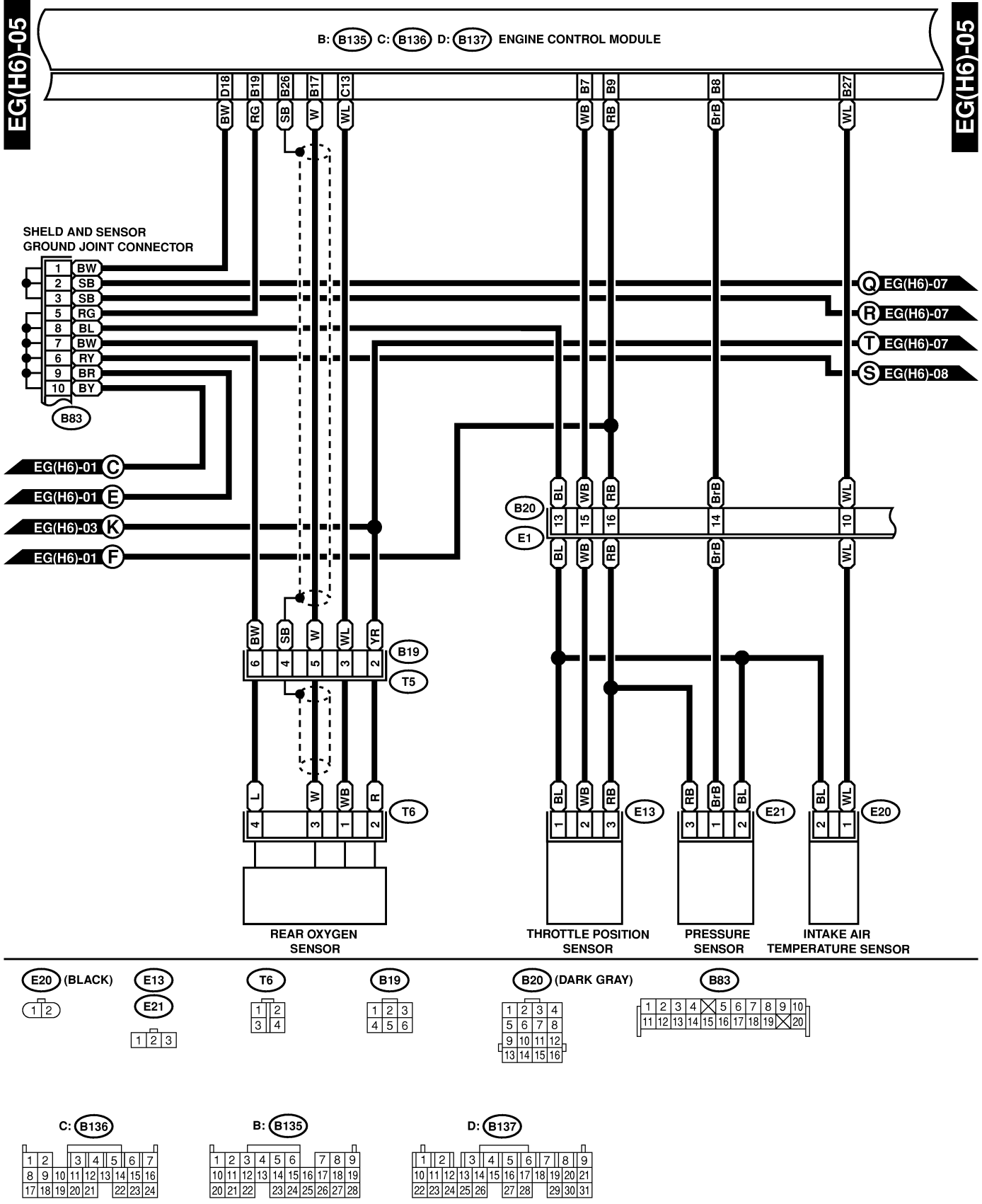


A: B134



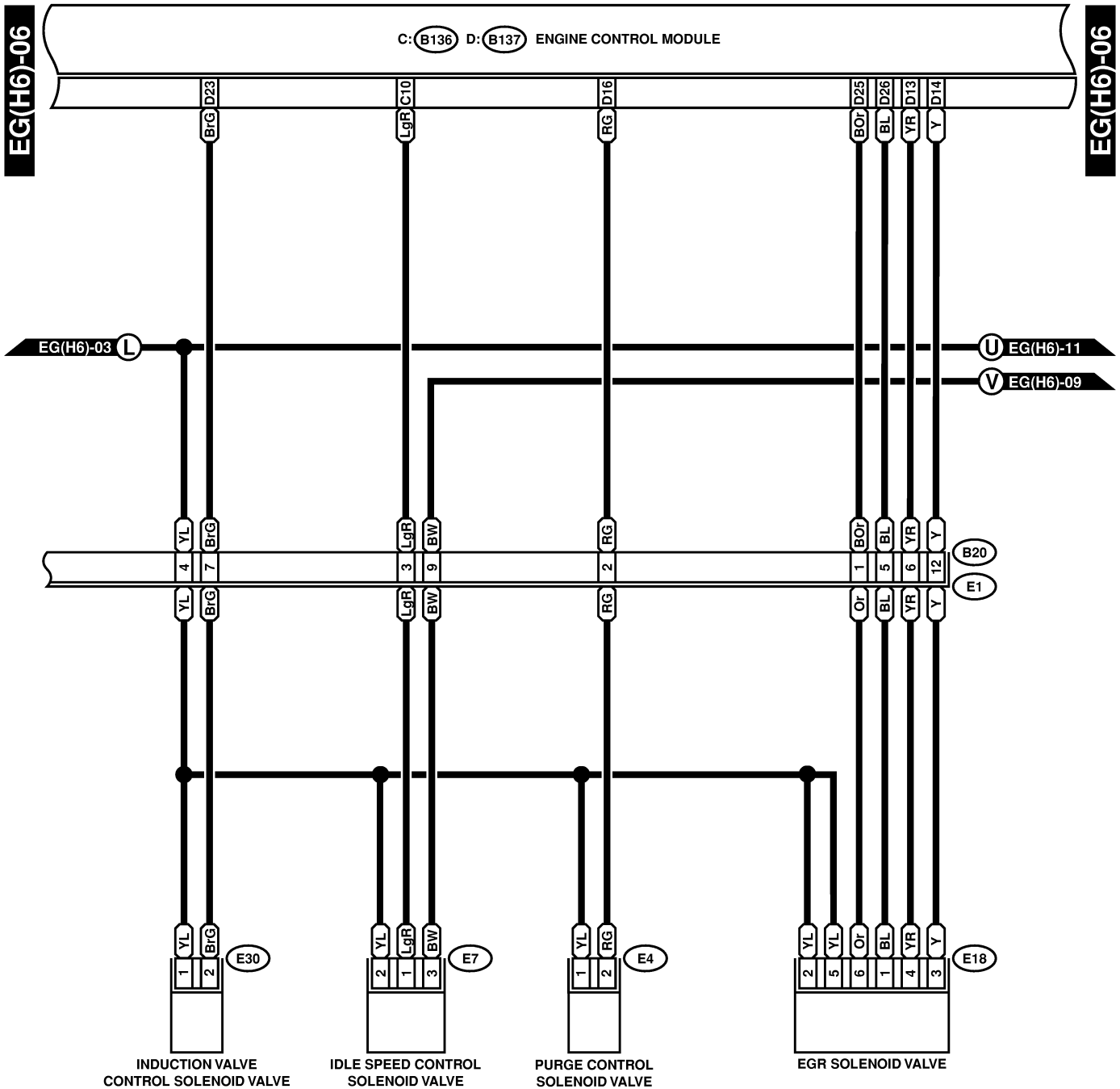
ENGINE ELECTRICAL SYSTEM

Wiring System



ENGINE ELECTRICAL SYSTEM

Wiring System



E30 (BROWN)



E4 (BLACK)



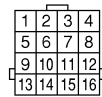
E7 (GRAY)



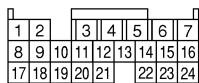
E18 (GRAY)



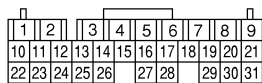
B20 (DARK GRAY)



C: **B136**

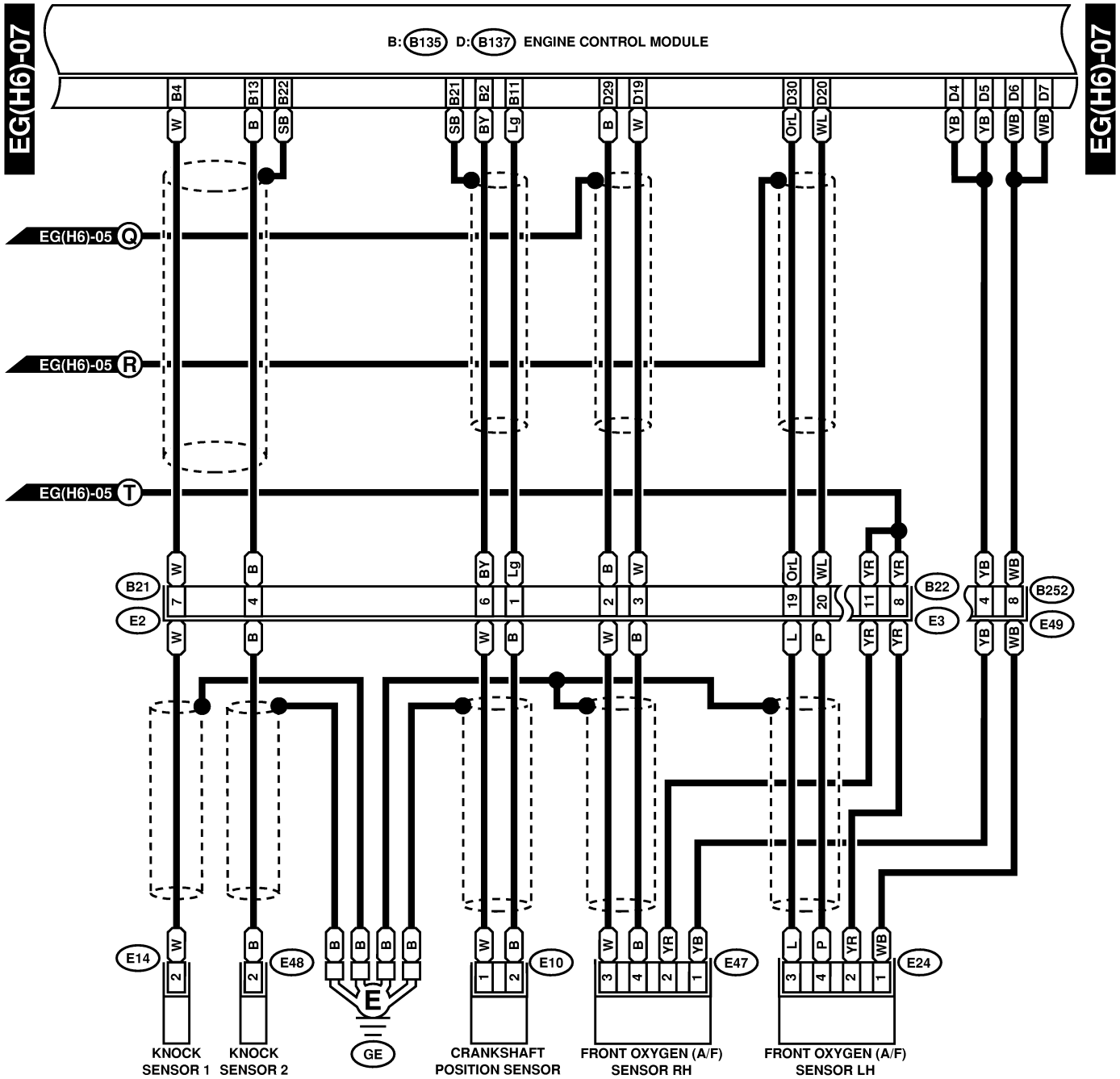


D: **B137**

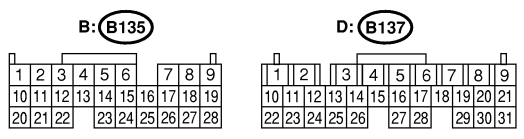


ENGINE ELECTRICAL SYSTEM

Wiring System

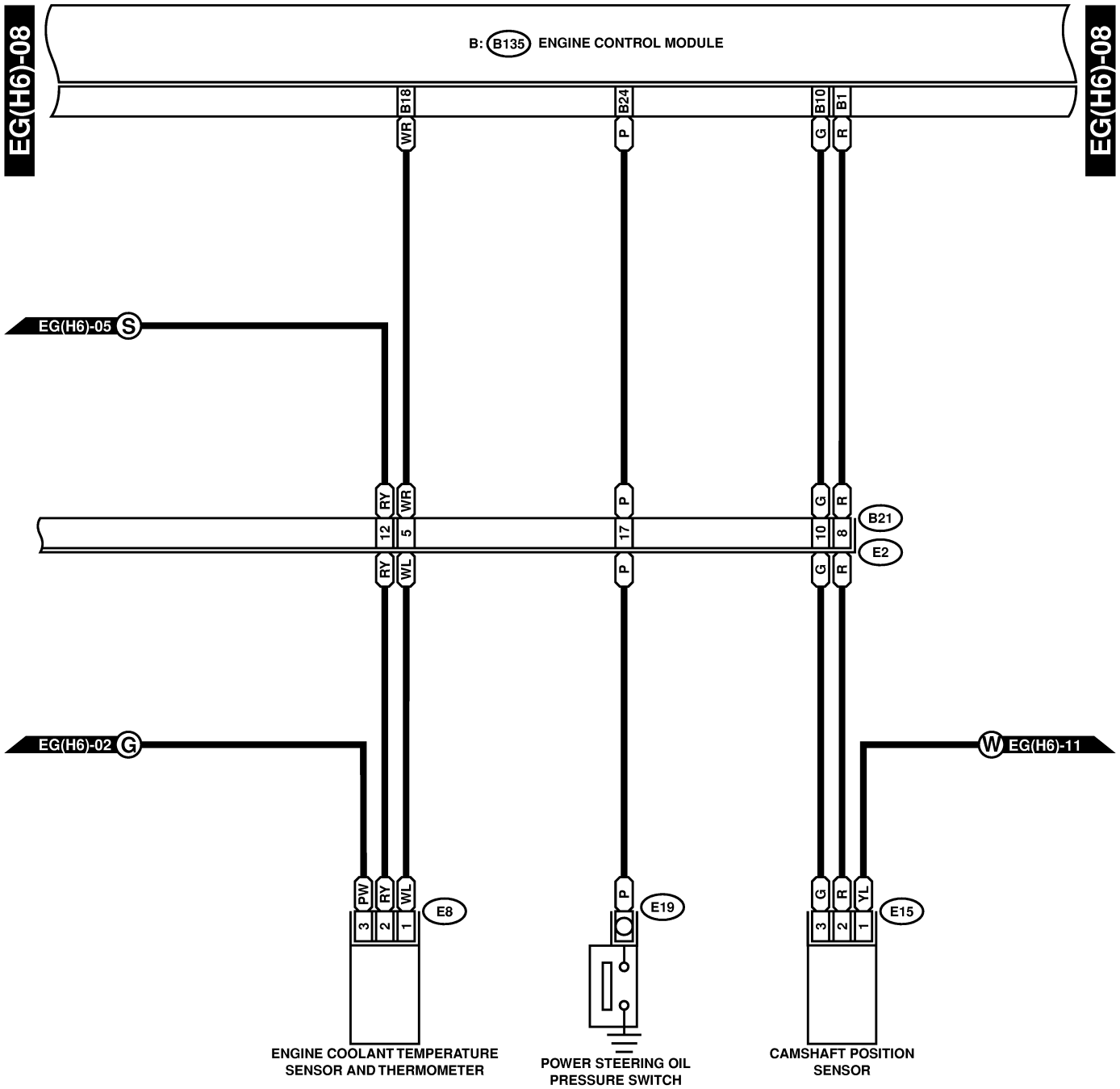


- E14 (BLUE)**: 1 2
- E48 (BLUE)**: 1 2
- E10 (GRAY)**: 1 2
- E47 (DARK GRAY)**: 1 2, 3 4
- E24 (DARK GRAY)**: 1 2, 3 4
- B252 (DARK GRAY)**: 1 2 3 4, 5 6 7 8
- B22 (BROWN)**: 1 2 3 4, 5 6 7 8, 9 10 11 12, 13 14 15 16
- B21 (LIGHT GRAY)**: 1 2 3 4, 5 X 6 7 X 8, 9 10 X 11 X 12, 13 X 14 15 X 16, 17 18, 19 20



ENGINE ELECTRICAL SYSTEM

Wiring System



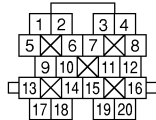
E15 (GRAY)



E8 (LIGHT GRAY)



B21 (LIGHT GRAY)

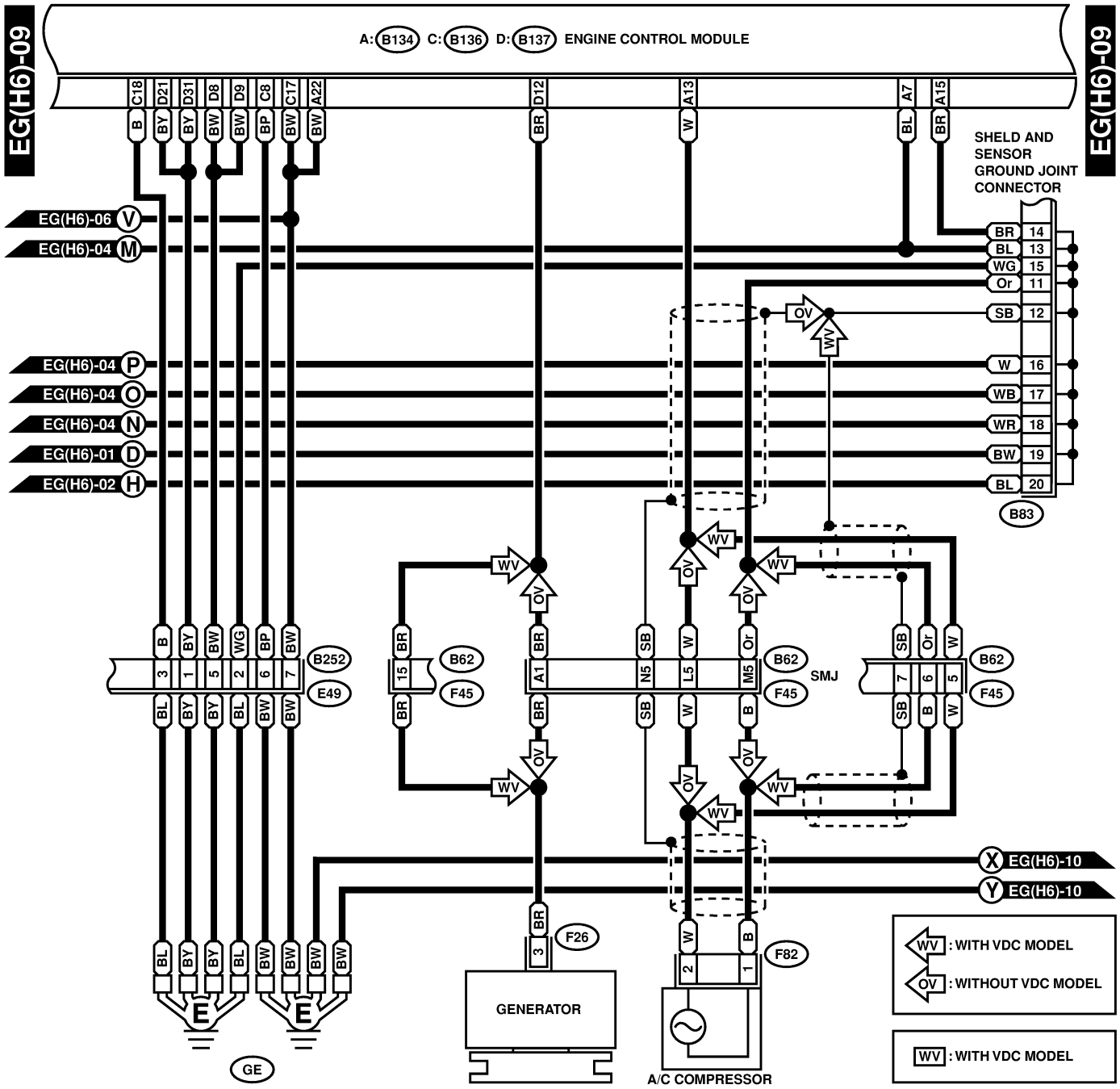


B135



ENGINE ELECTRICAL SYSTEM

Wiring System



F26 (GREEN)
F82 (BLACK)

1	2	3
---	---	---

B252 (DARK GRAY)

1	2	3	4
5	6	7	8

WV: F45 (BLUE)

1	2	3	4	5	6	7	8
9	10	11	12	13	14	15	16

B83

1	2	3	4	5	6	7	8	9	10
11	12	13	14	15	16	17	18	19	20

A: B134

1	2	3	4	5	6	7	
8	9	10	11	12	13	14	15
16	17	18	19	20	21	22	

C: B136

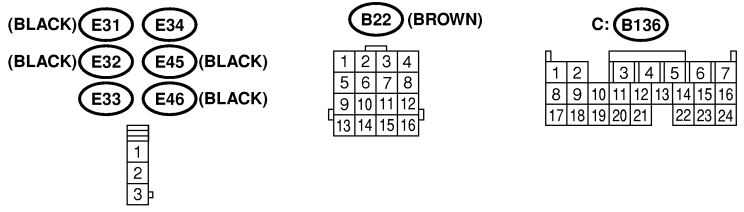
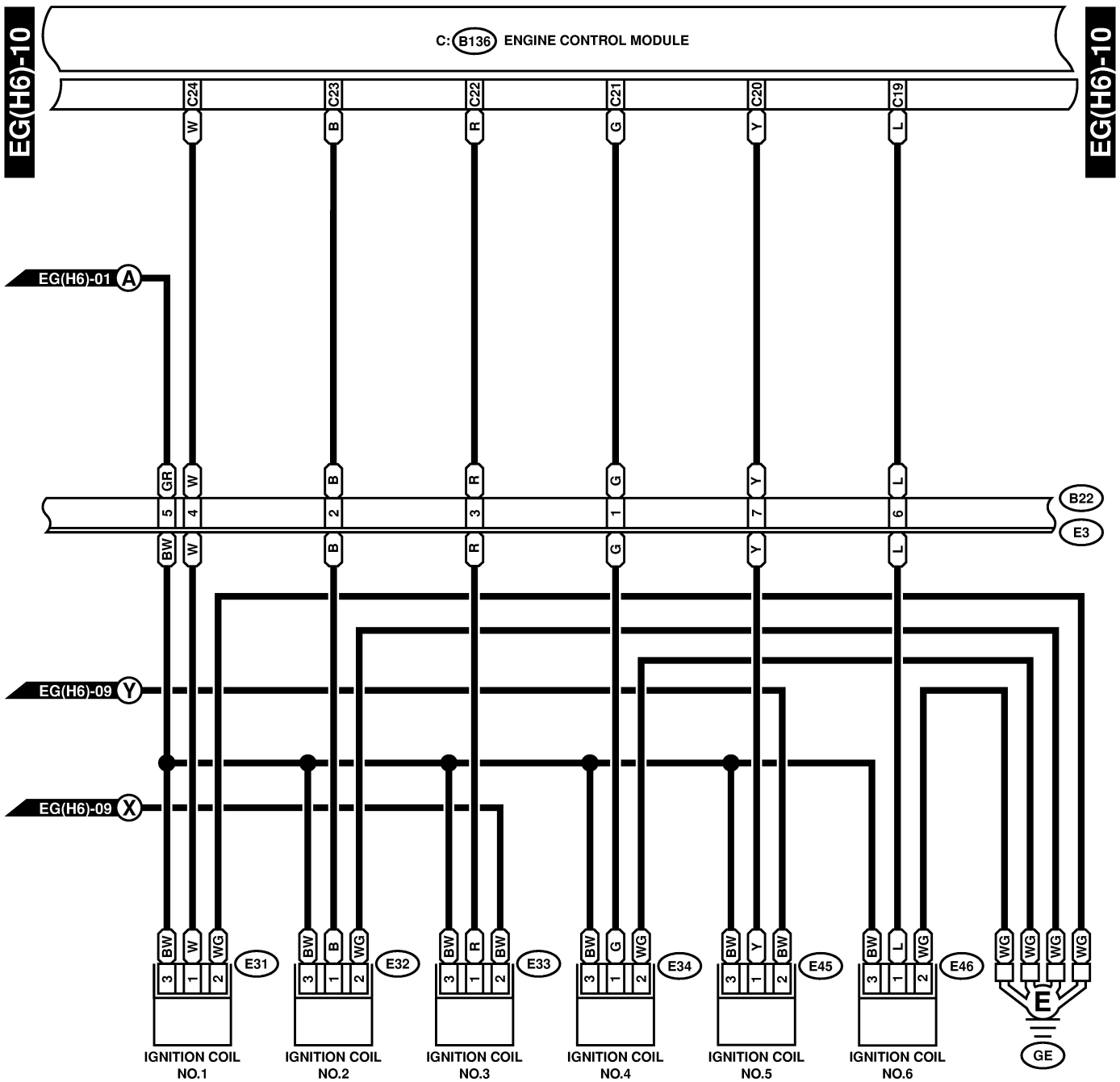
1	2	3	4	5	6	7		
8	9	10	11	12	13	14	15	16
17	18	19	20	21	22	23	24	

D: B137

1	2	3	4	5	6	7	8	9			
10	11	12	13	14	15	16	17	18	19	20	21
22	23	24	25	26	27	28	29	30	31		

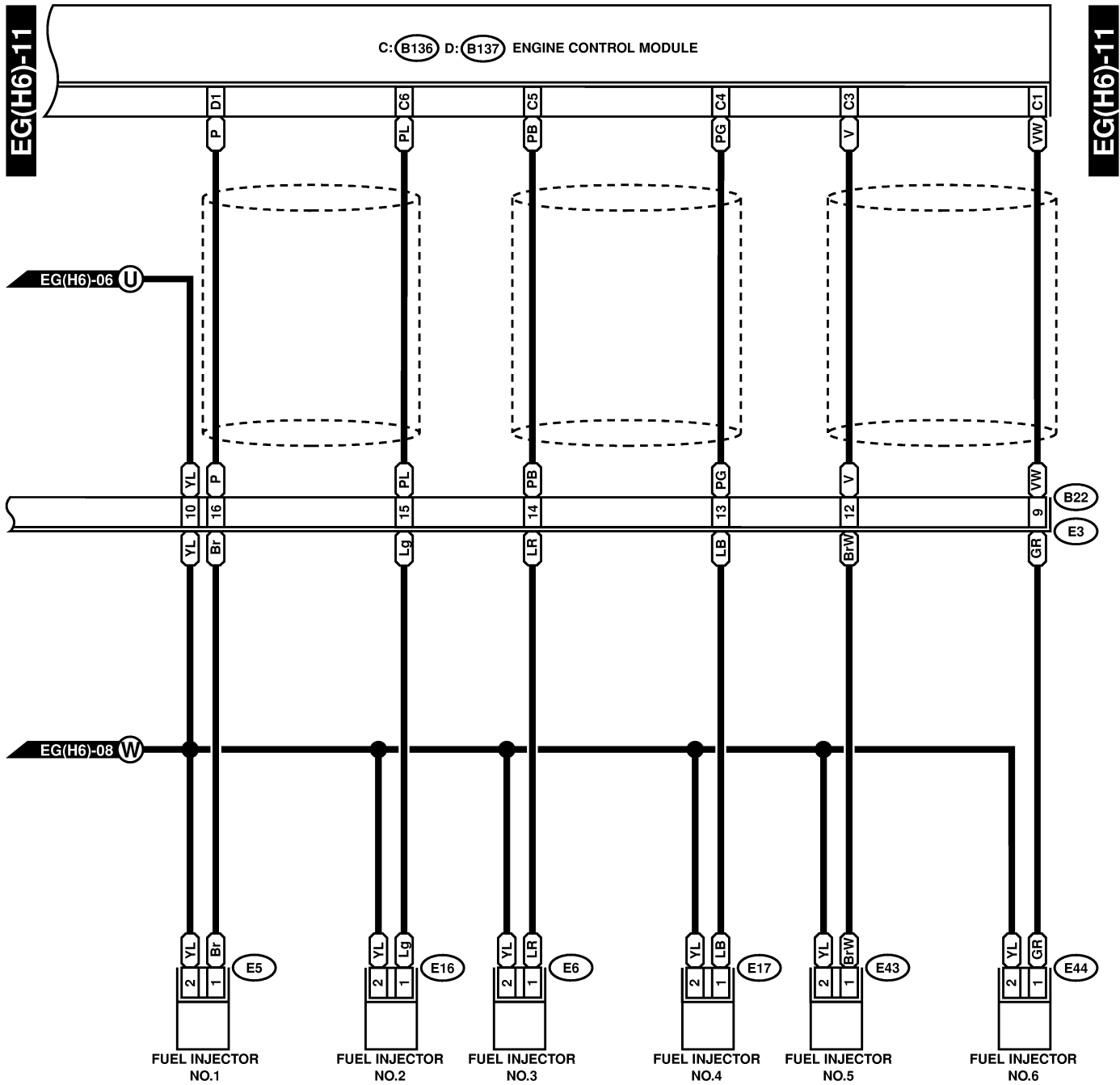
ENGINE ELECTRICAL SYSTEM

Wiring System



ENGINE ELECTRICAL SYSTEM

Wiring System



- (E5) (GRAY) (E17) (GRAY)
- (E6) (GRAY) (E43) (GRAY)
- (E16) (GRAY) (E44)

(B22) (BROWN)

1	2	3	4
5	6	7	8
9	10	11	12
13	14	15	16

C: (B136)

1	2	3	4	5	6	7
8	9	10	11	12	13	14
15	16	17	18	19	20	21
22	23	24				

D: (B137)

1	2	3	4	5	6	7	8	9
10	11	12	13	14	15	16	17	18
19	20	21	22	23	24	25	26	27
28	29	30	31					

MEMO: