

# OUTSIDE TEMPERATURE DISPLAY SYSTEM

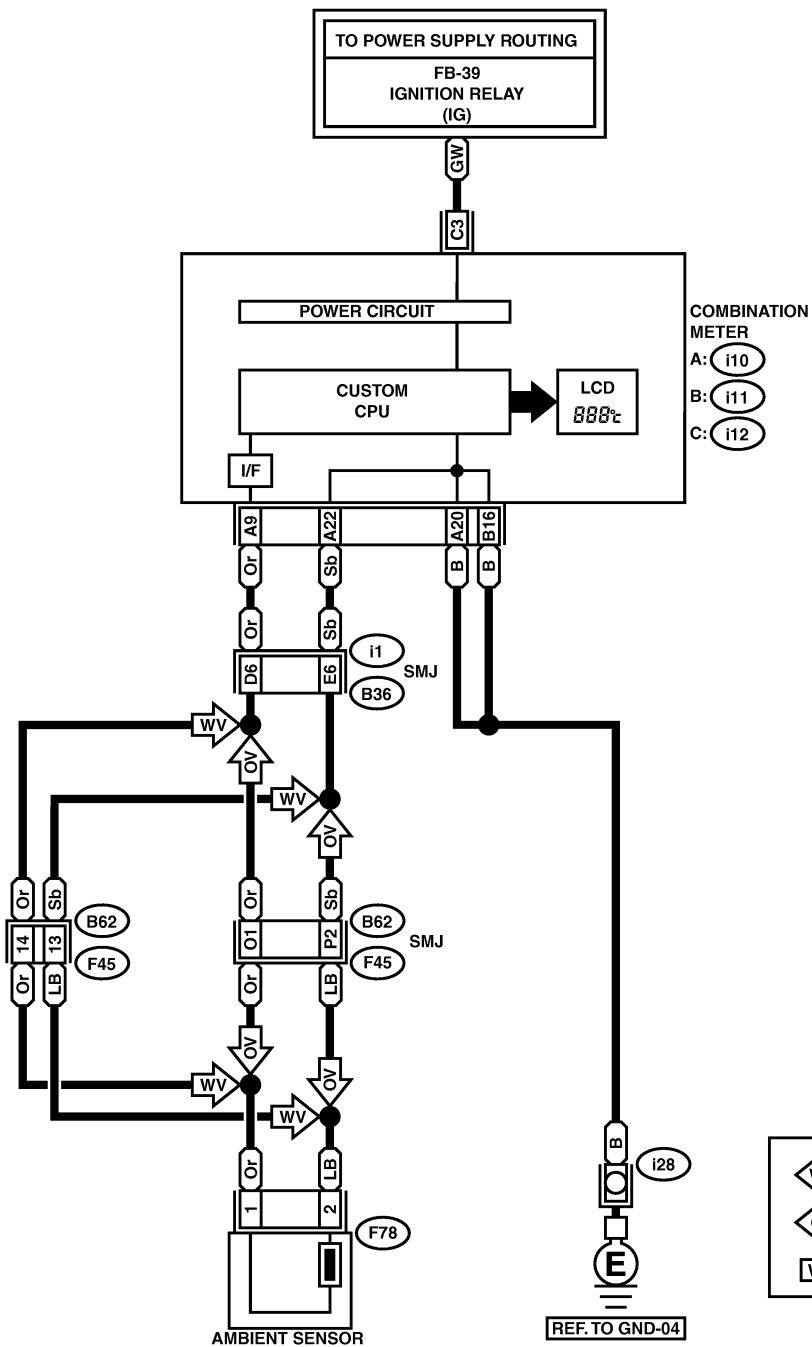
Wiring System

## 32. Outside Temperature Display System S903668

### A: SCHEMATIC S903668A21

O/TEMP-01

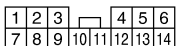
O/TEMP-01



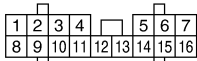
F78 (BLACK)



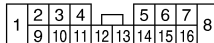
C: i12 (GREEN)



B: i11 (GREEN)



F45 (BLUE): WV



A: i10 (GREEN)

