

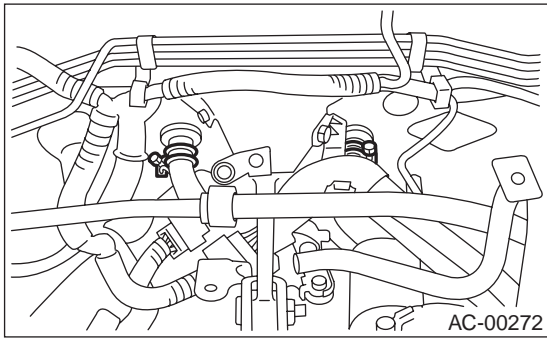
HEATER UNIT

HVAC SYSTEM (HEATER, VENTILATOR AND A/C)

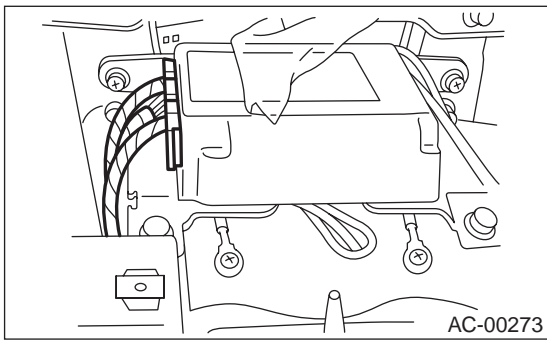
7. Heater Unit

A: REMOVAL

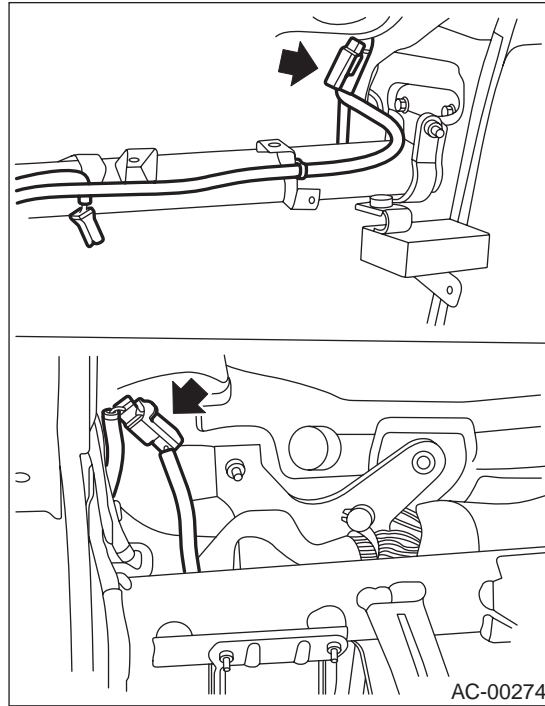
- 1) Disconnect ground cable from battery.
- 2) Pull out LLC.
- 3) Remove air cleaner case.
- 4) Release heater hose clamps in engine compartment to remove the hoses.



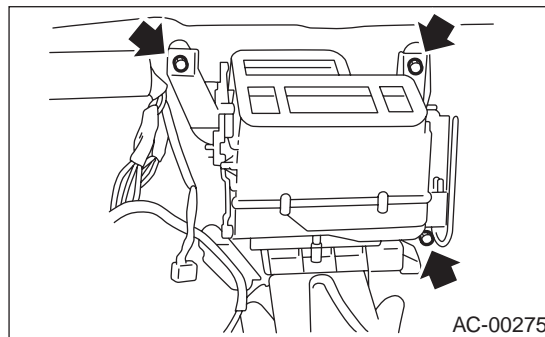
- 5) Remove A/C unit. <Ref. to AC-34, Intake Unit.>
- 6) Using a Torx wrench, remove airbag control unit.



- 7) Disconnect connector of airbag main harness near steering support beam.



- 8) Loosen bolts and nuts of support beam to remove support beam.
- 9) Disconnect servo connector.
- 10) Loosen bolts and nuts of heater unit to remove heater unit.



B: INSTALLATION

Install in the reverse order of removal.

Tightening torque:

Refer to COMPONENT of General Description

<Ref. to AC-5, HEATER UNIT, COMPONENT, General Description.>