

SPEED CONTROL SYSTEMS

SP(H4SO U5)



	Page
1. General Description	2
2. Accelerator Pedal.....	3



GENERAL DESCRIPTION

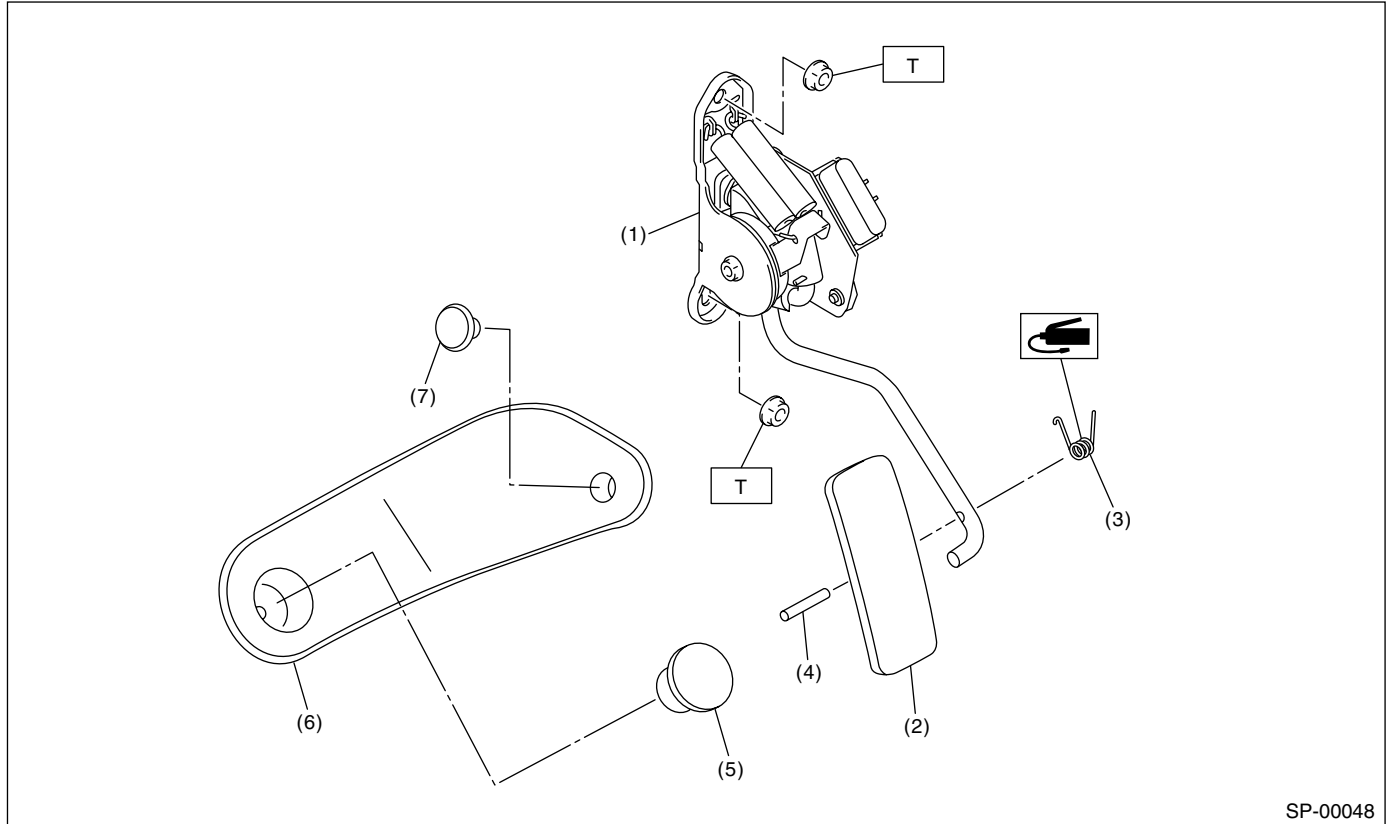
SPEED CONTROL SYSTEMS

1. General Description

A: SPECIFICATION

Accelerator pedal	Stroke	At pedal pad	52 — 57 mm (2.05 — 2.24 in)
-------------------	--------	--------------	-----------------------------

B: COMPONENT



SP-00048

- | | |
|------------------------------|-------------------------|
| (1) Accelerator pedal ASSY | (5) Accelerator stopper |
| (2) Accelerator pedal | (6) Accelerator plate |
| (3) Accelerator pedal spring | (7) Clip |
| (4) Spring pin | |

Tightening torque: N·m (kgf·m, ft·lb)
T: 18 (1.8, 13.0)

C: CAUTION

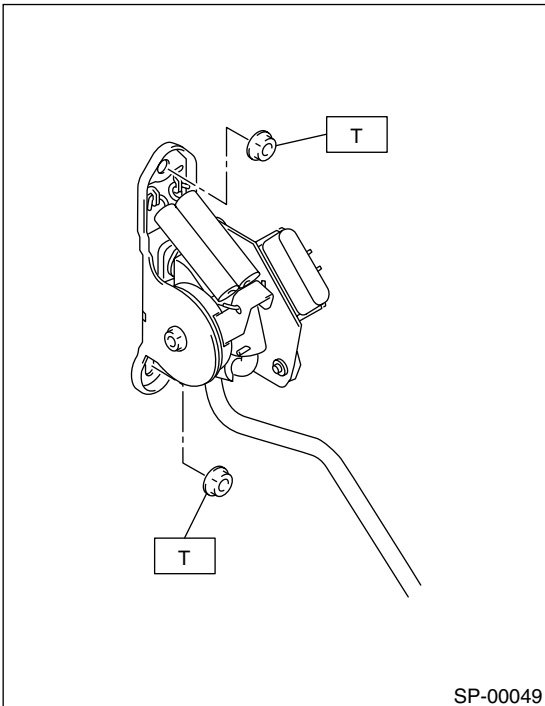
- Wear work clothing, including a cap, protective goggles, and protective shoes during operation.
- Remove contamination, including dirt and corrosion, before removal, installation or disassembly.
- Keep the disassembled parts in order and protect them from dust and dirt.
- Before removal, installation or disassembly, be sure to clarify the failure. Avoid unnecessary removal, installation, disassembly, and replacement.
- Be careful not to burn your hands, because each part in the vehicle is hot after running.
- Be sure to tighten fasteners including bolts and nuts to the specified torque.
- Place shop jacks or safety stands at the specified points.

- Before disconnecting electrical connectors of sensors or units, be sure to disconnect the ground cable from battery.

2. Accelerator Pedal

A: REMOVAL

- 1) Disconnect ground cable from battery.
- 2) Disconnect the connector.
- 3) Remove the nuts which securing accelerator pedal assembly.



B: INSTALLATION

Install in the reverse order of removal.

Tightening torque:

18 N·m (1.8 kgf-m, 13.0 ft-lb)

C: DISASSEMBLY

NOTE:

Accelerator pedal for model with electronic throttle control system cannot be disassembled.

ACCELERATOR PEDAL

SPEED CONTROL SYSTEMS

MEMO: