

# AIRBAG SYSTEM (DIAGNOSTICS)

# AB

---

	<b>Page</b>
1. Basic Diagnostic Procedure .....	2
2. Check List for Interview .....	3
3. General Description .....	4
4. Electrical Components Location.....	15
5. Airbag Connector .....	16
6. Airbag Warning Light Illumination Pattern .....	19
7. Read Diagnostic Trouble Code (DTC) .....	20
8. Inspection Mode .....	21
9. Clear Memory Mode.....	22
10. Airbag Warning Light Failure.....	24
11. List of Diagnostic Trouble Code (DTC) .....	28
12. Diagnostic Chart with Diagnostic Trouble Code (DTC).....	32

# BASIC DIAGNOSTIC PROCEDURE

## AIRBAG SYSTEM (DIAGNOSTICS)

### 1. Basic Diagnostic Procedure

#### A: PROCEDURE

Step	Check	Yes	No
<b>1</b> <b>Read DTC.</b> <Ref. to AB-20, Read Diagnostic Trouble Code (DTC).>	Is the normal code being detected?	Finish the diagnosis.	Go to step 2.
<b>2</b> <b>Read DTC.</b> <Ref. to AB-20, Read Diagnostic Trouble Code (DTC).>	Is the DTC being detected?	Go to step 3.	Go to "Airbag Warning Light Failure".<Ref. to AB-24, Airbag Warning Light Failure.>
<b>3</b> <b>Perform the diagnosis.</b> 1) Judge the possible cause from "List of Diagnostic Trouble Code (DTC)" <Ref. to AB-28, List of Diagnostic Trouble Code (DTC).>. 2) Inspect using "Diagnostic Chart with Diagnostic Trouble Code (DTC)". 3) Repair the cause of the trouble. 4) Perform the clear memory mode. <Ref. to AB-22, Clear Memory Mode.> 5) Perform the inspection mode. <Ref. to AB-21, Inspection Mode.> 6) Read DTC.	Is the DTC being detected?	Perform the procedure 1) to 5) in step 3 again.	Finish the diagnosis.

# CHECK LIST FOR INTERVIEW

AIRBAG SYSTEM (DIAGNOSTICS)

## 2. Check List for Interview

### A: CHECK

Customer's Name		Inspector's Name	
Date Vehicle Brought In	/ /	Registration No.	
Odometer Reading	km Miles	Vin No.	
Date Problem Occurred	/ /	Registration Year	/ /
Weather	<input type="checkbox"/> Fine <input type="checkbox"/> Cloudy <input type="checkbox"/> Rainy <input type="checkbox"/> Snowy <input type="checkbox"/> Other:		
Temperature	°C (°F)		
Road Condition	<input type="checkbox"/> Level road <input type="checkbox"/> Uphill <input type="checkbox"/> Downhill <input type="checkbox"/> Rough road <input type="checkbox"/> Others:		
Vehicle Operation	<input type="checkbox"/> Driving ( <input type="checkbox"/> Starting <input type="checkbox"/> Idling <input type="checkbox"/> Constant Speed <input type="checkbox"/> Acceleration <input type="checkbox"/> Deceleration <input type="checkbox"/> Steering wheel turn <input type="checkbox"/> Other:    )		
Details of Problem			
Check Airbag Warning Light	<input type="checkbox"/> Remains ON <input type="checkbox"/> Remains OFF		
Check DTC	<input type="checkbox"/> Normal Code <input type="checkbox"/> Trouble Code: (Code:    )		

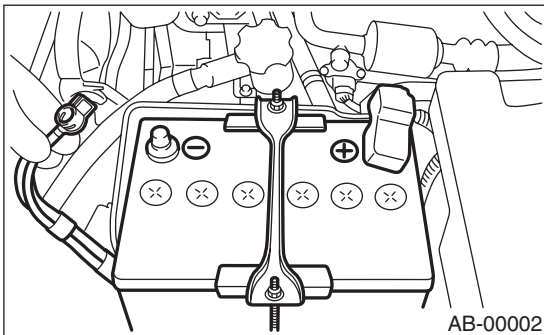
# GENERAL DESCRIPTION

## AIRBAG SYSTEM (DIAGNOSTICS)

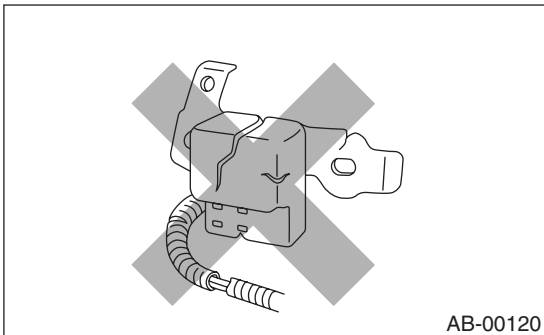
### 3. General Description

#### A: CAUTION

- When servicing a vehicle, be sure to turn the ignition switch OFF, disconnect the ground cable from the battery, and wait for more than 20 seconds before starting work.
- The airbag system is fitted with a backup power source. If the airbag system is serviced within 20 seconds after the ground cable is disconnected, it may inflate.

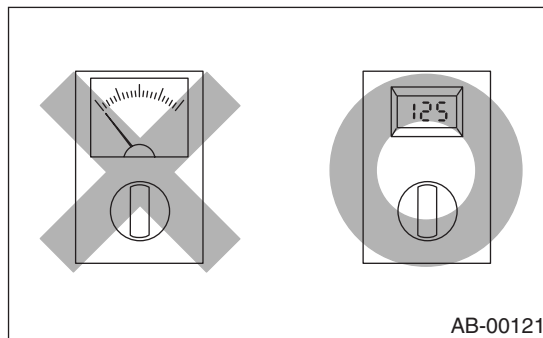


- If the airbag warning light illuminates, repair the vehicle immediately. Airbag or pretensioner may inflate incorrectly, or not inflate in collision.
- If sensors, airbag module, airbag control module pretensioner, and harness are deformed or damaged, replace them with new genuine parts.
- Do not use the airbag system and pretensioners on other vehicles. When replacing parts, be sure to replace them with new parts.

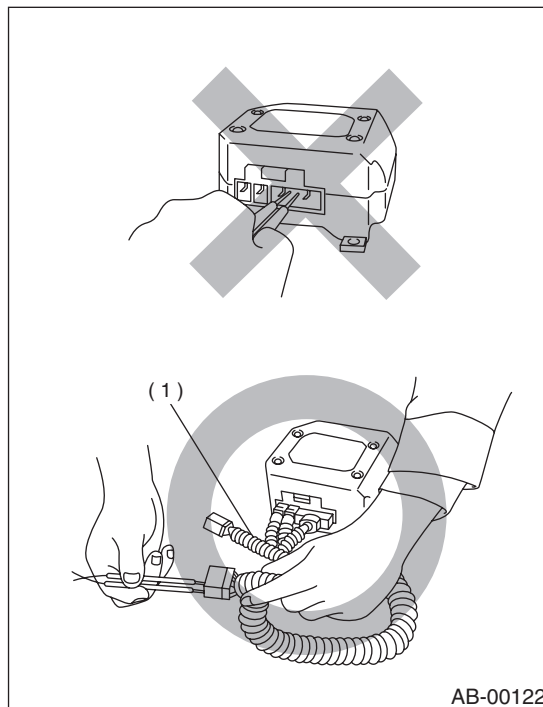


- When checking the system, be sure to use a digital circuit tester.

Use of an analog circuit tester may cause the airbag to activate erroneously.



- When checking, use a test harness. Do not directly apply the tester probe to any connector terminal of the airbag.

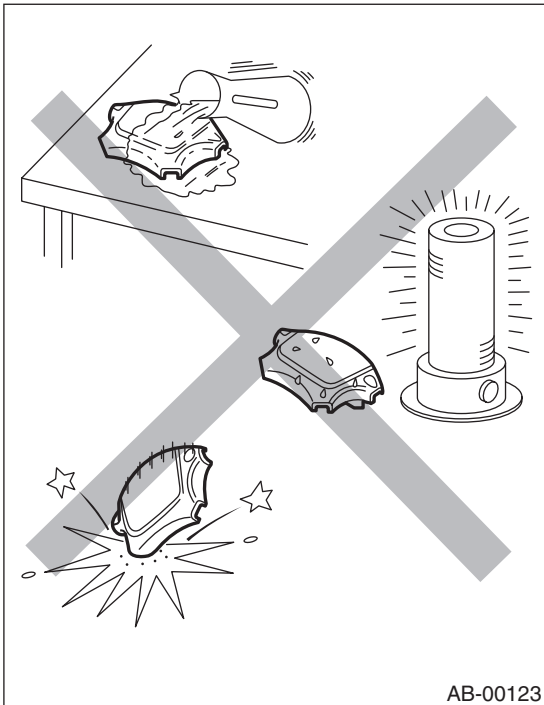


(1) Test harness

- Do not drop the airbag modulator parts, subject them to high temperature over 93°C (199°F), or let water, oil, or grease get on them; otherwise, the in-

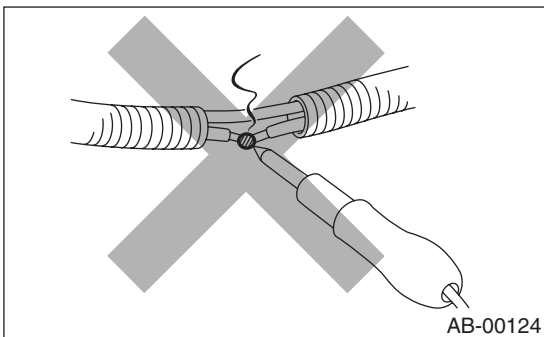
# GENERAL DESCRIPTION

ternal parts may be damaged and reliability greatly lowered.



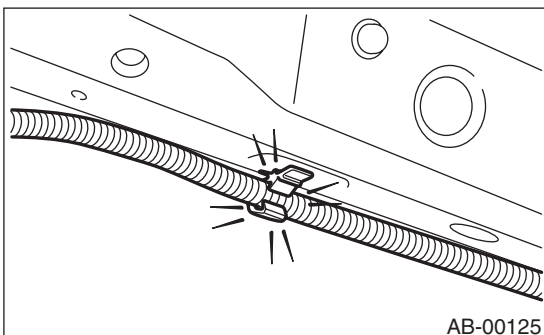
AB-00123

- If any damage, opening or rust is found on the airbag system wire harness, do not attempt to repair using soldering equipment. Be sure to replace the faulty harness with a new genuine part.



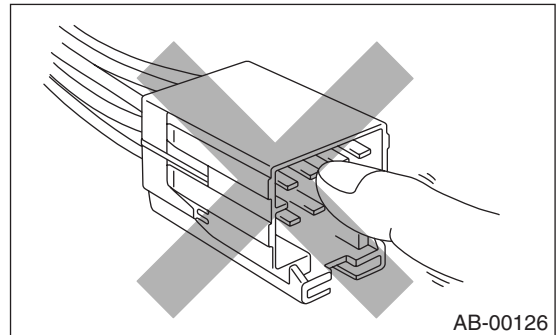
AB-00124

- Install the wire harness securely with the specified clips to avoid interference or tangled up with other parts.



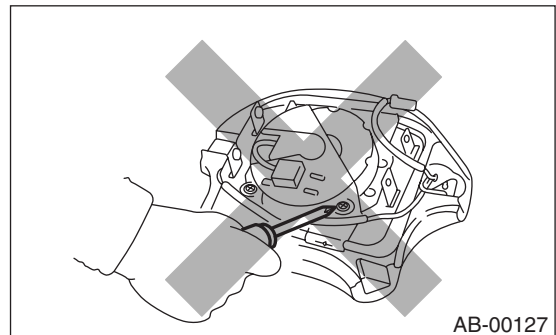
AB-00125

- Do not allow water or oil to come in contact with the connector terminals. Do not touch the connector terminals.



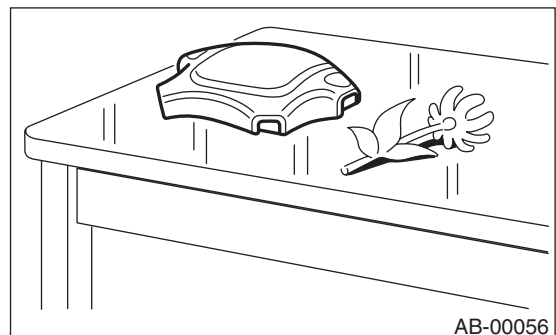
AB-00126

- The airbag module (driver, passenger, and side, pretensioner) must not be disassembled.
- The airbag module cannot be used again once inflated.



AB-00127

- After removal, keep the airbag module with the pad facing upward on a dry, clean, and flat surface away from heat and light sources, and moisture and dust.



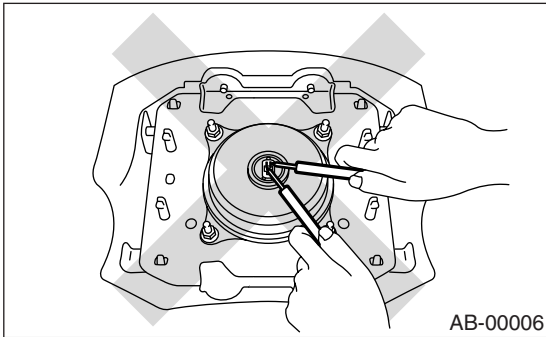
AB-00056

## GENERAL DESCRIPTION

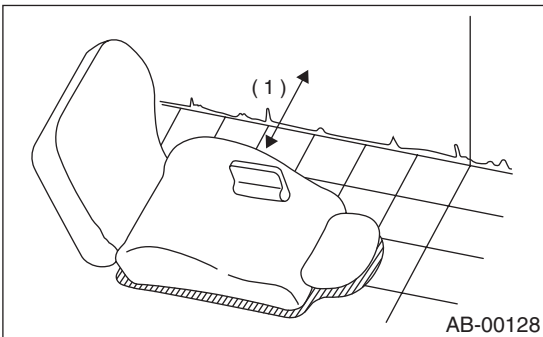
### AIRBAG SYSTEM (DIAGNOSTICS)

---

- Do not check continuity of the airbag module (driver, passenger, and side, pretensioner).

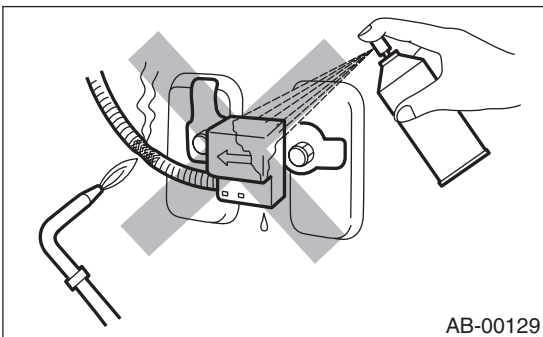


- The removed front seat with the airbag module must be kept at least 200 mm (8 in) away from walls and other objects.



(1) More than 200 mm (8 in)

- When painting or performing sheet metal work on the front part of the vehicle, including the front wheel apron, front fender, and front side frame, remove the front sub sensors and wire harness of the airbag system.
- When painting or performing sheet metal work on the side of the vehicle, including the side sill, center pillar, and front and rear doors, remove the side airbag sensors and wire harness of the airbag system.

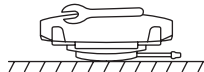
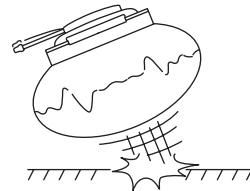
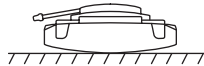
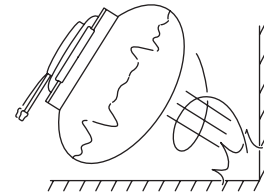
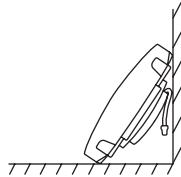
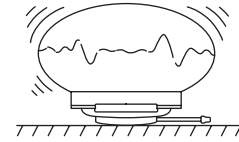
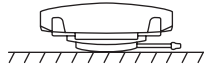


# GENERAL DESCRIPTION

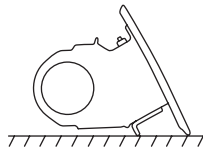
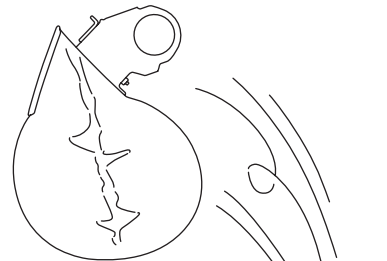
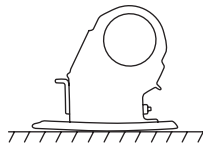
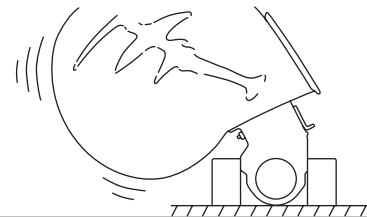
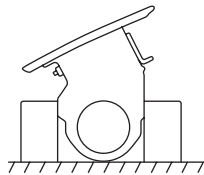
## AIRBAG SYSTEM (DIAGNOSTICS)

- When storing a removed airbag module, do not place any objects on it or pile airbag modules on top of each other. If the airbag inflates for some reason when it is placed with its pad side facing downward or under any object, a serious accident may result.

(1)



(2)



AB-00130

(1) Driver side

(2) Passenger side

- Do not discard undeployed airbag modules. They could easily cause a serious accident if accidentally deployed.
- Do not damage the airbag module or drop it.

## GENERAL DESCRIPTION

AIRBAG SYSTEM (DIAGNOSTICS)

---

### **B: INSPECTION**

Before diagnosing, check the following items that might be related to the engine problem:

#### **1. BATTERY**

Measure battery voltage and specific gravity of electrolyte.

***Standard voltage: 12 V***

***Specific gravity: Above 1.260***

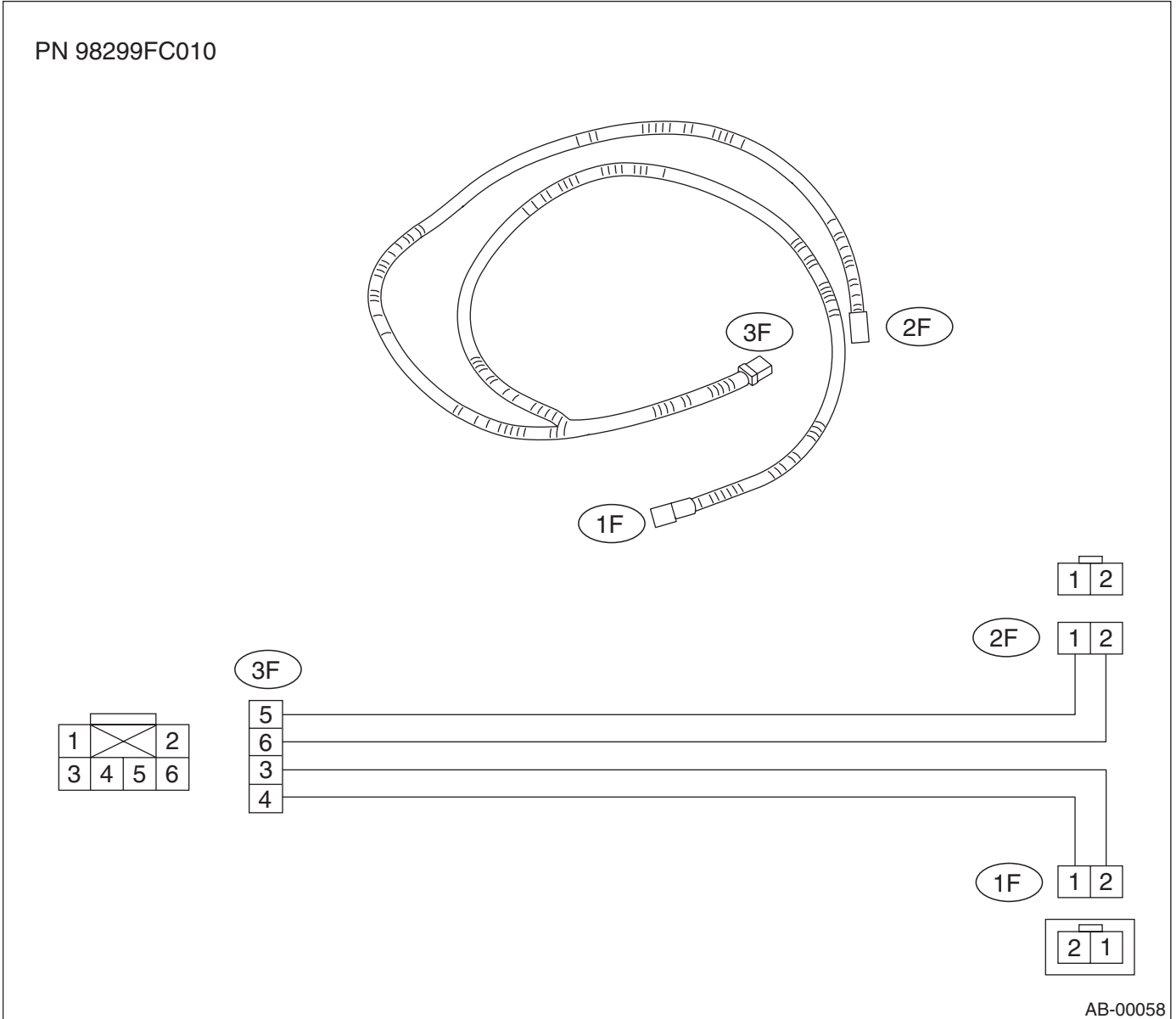


## C: PREPARATION TOOL

### CAUTION:

Be sure to use specified test harness F, G, H, K and I or I2 when measuring voltage, resistance, etc. of AIRBAG system component parts.

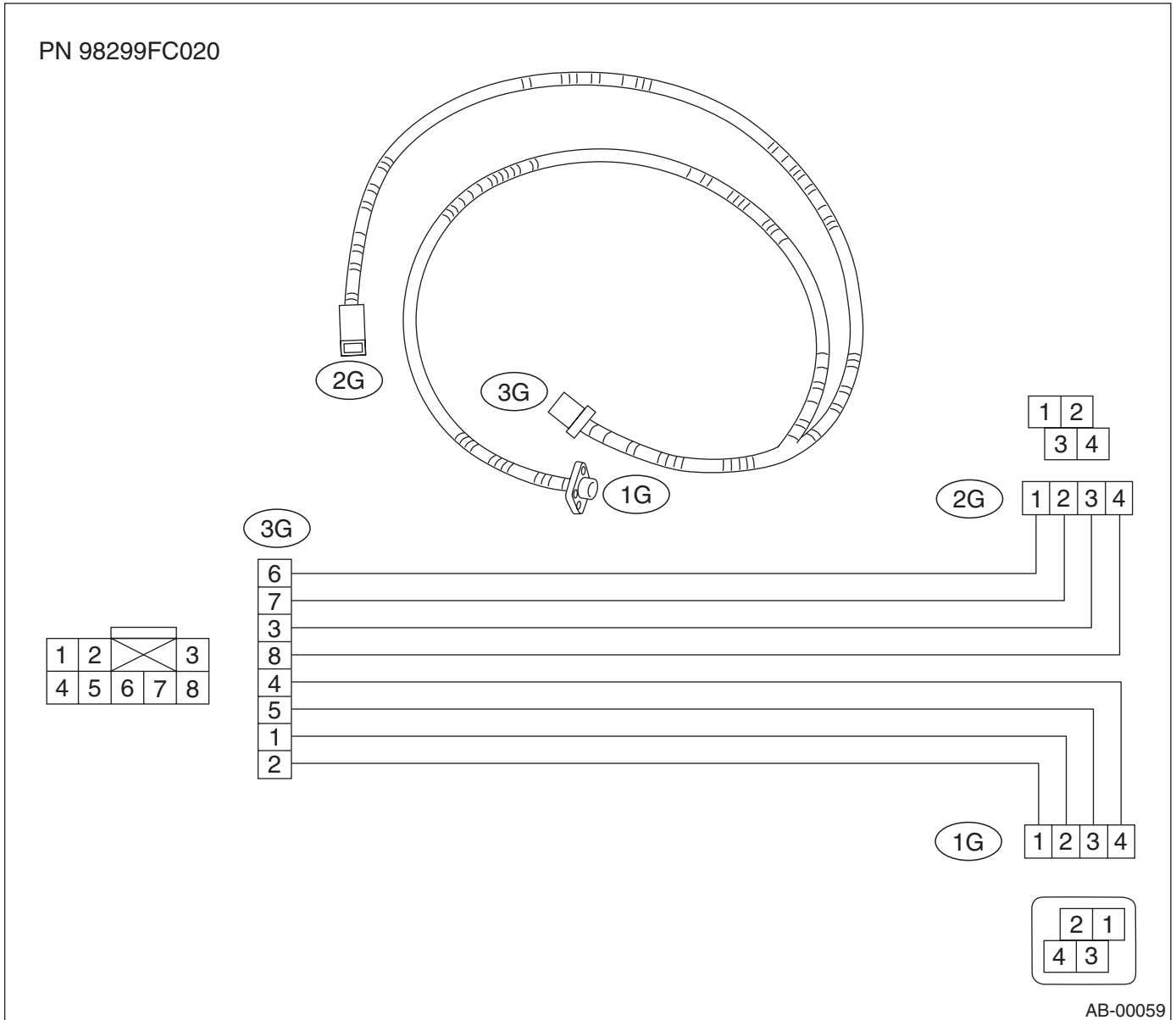
### 1. TEST HARNESS F



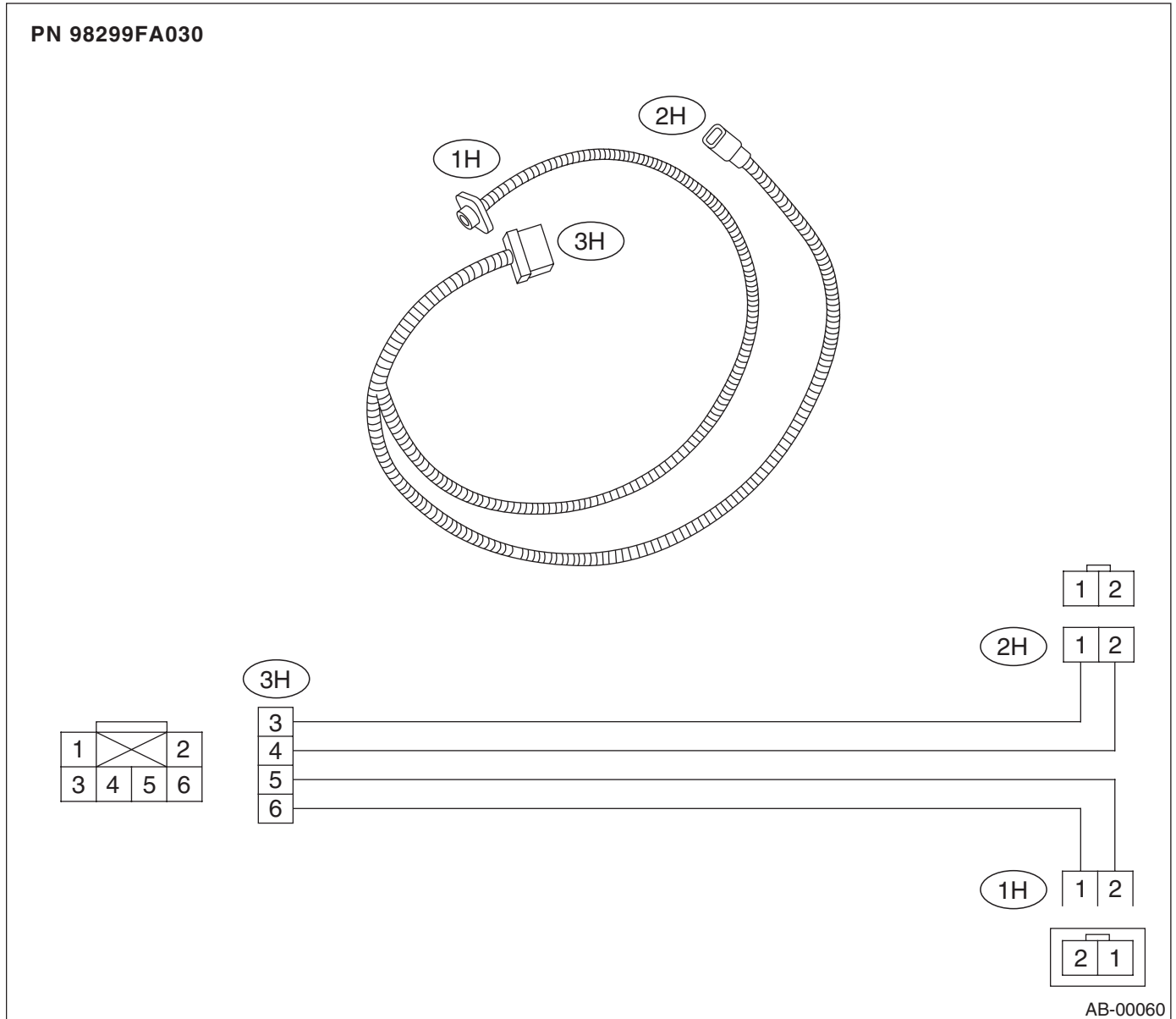
# GENERAL DESCRIPTION

AIRBAG SYSTEM (DIAGNOSTICS)

## 2. TEST HARNESS G



### 3. TEST HARNESS H

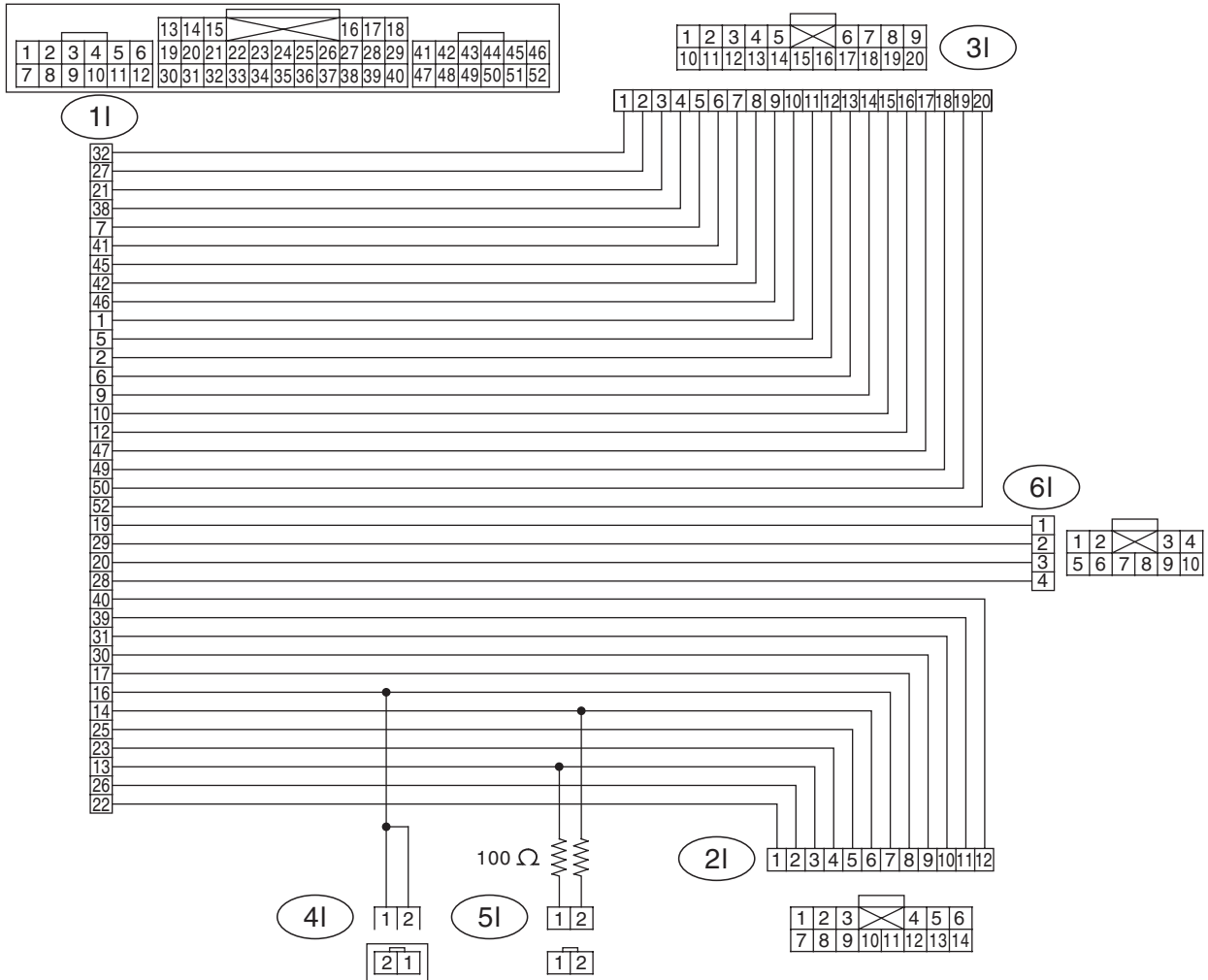
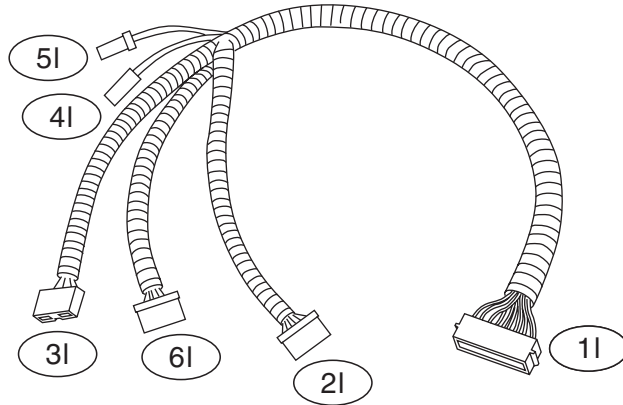


# GENERAL DESCRIPTION

AIRBAG SYSTEM (DIAGNOSTICS)

## 4. TEST HARNESS I2

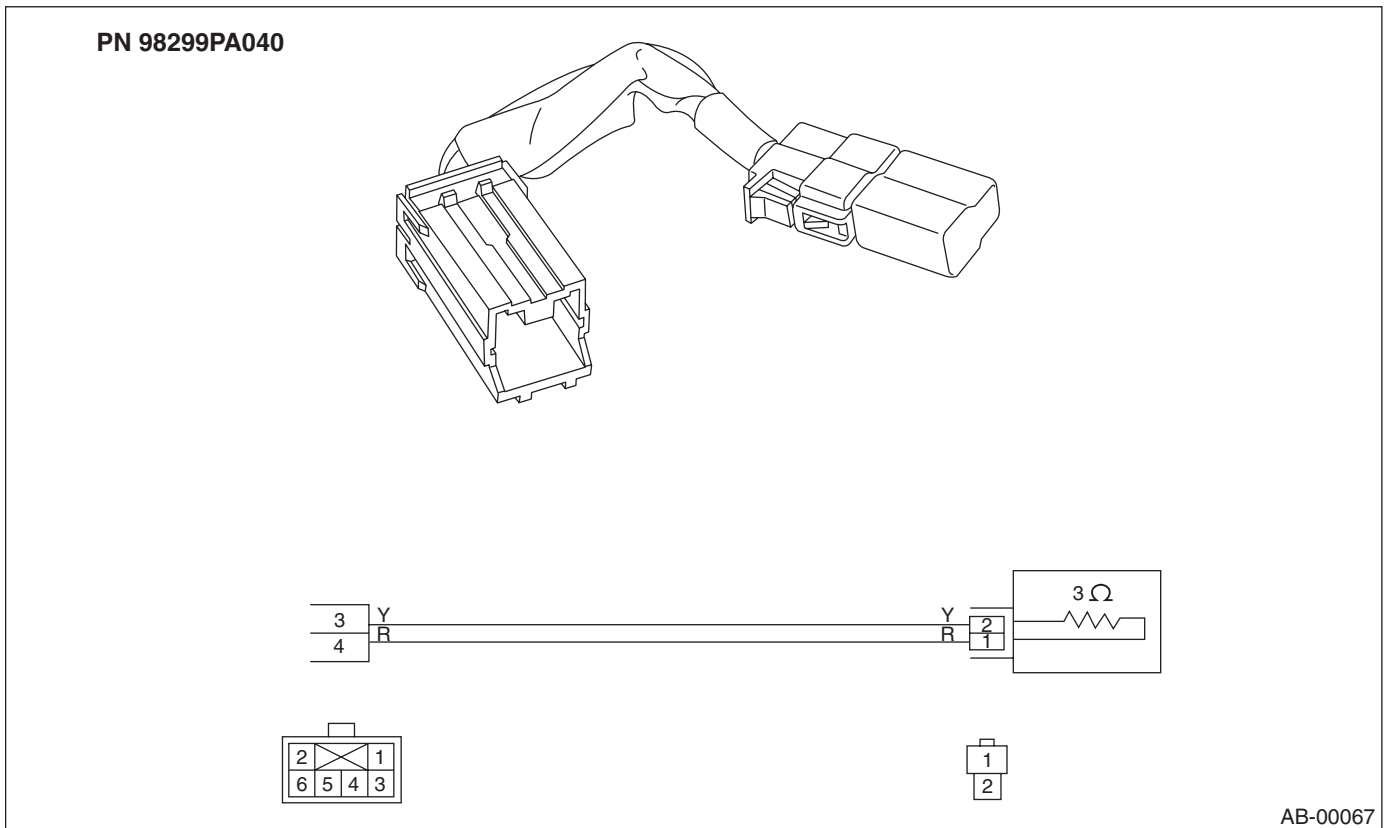
PN 98299FC041



AB-00282

### 5. AIRBAG RESISTOR

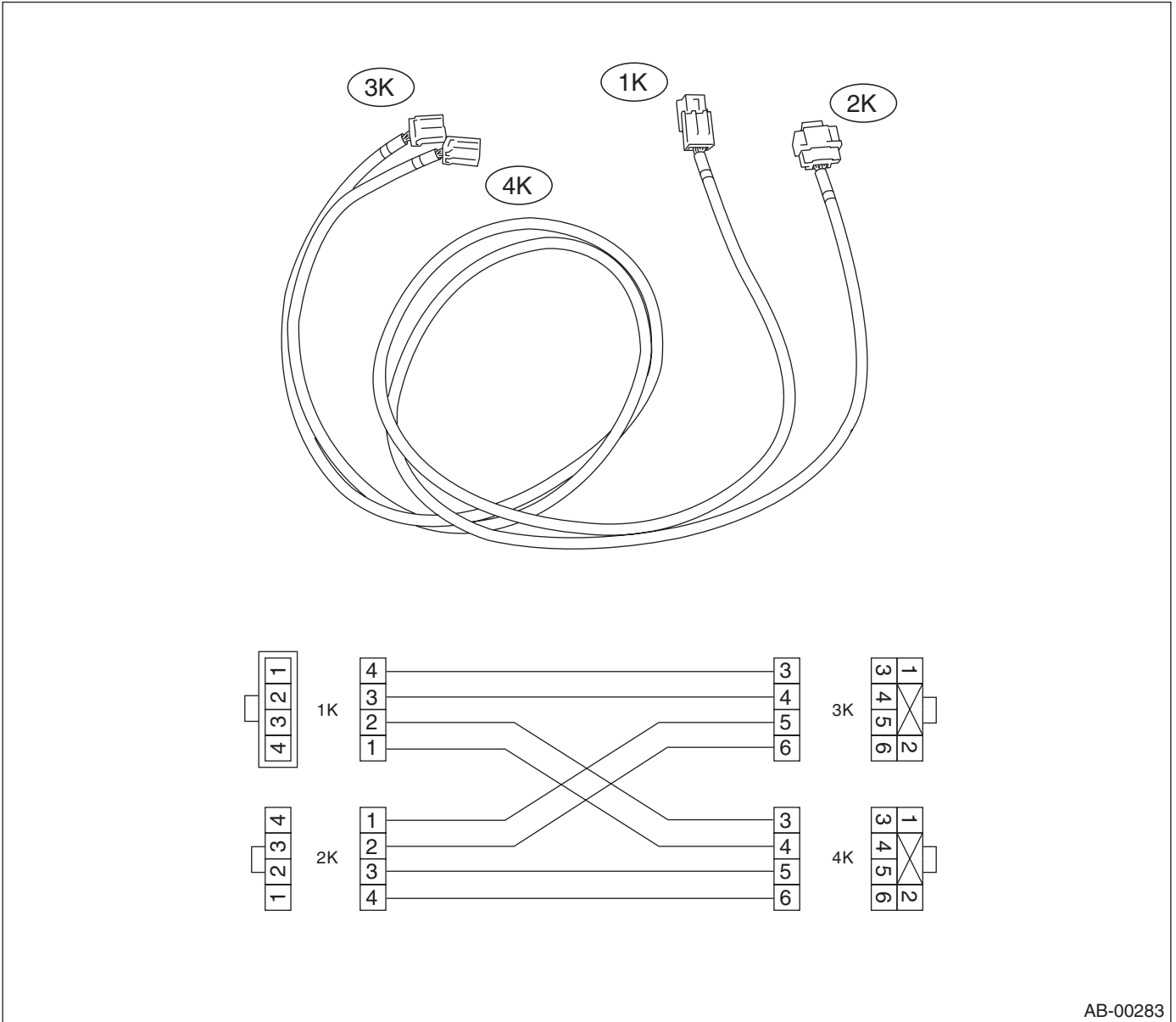
The airbag resistor is used during diagnostics. The airbag resistor has the same resistance as the airbag module and thus provides safety when used instead of the airbag module. It also makes it possible to finish diagnostics in less time.



# GENERAL DESCRIPTION

AIRBAG SYSTEM (DIAGNOSTICS)

## 6. TEST HARNESS K



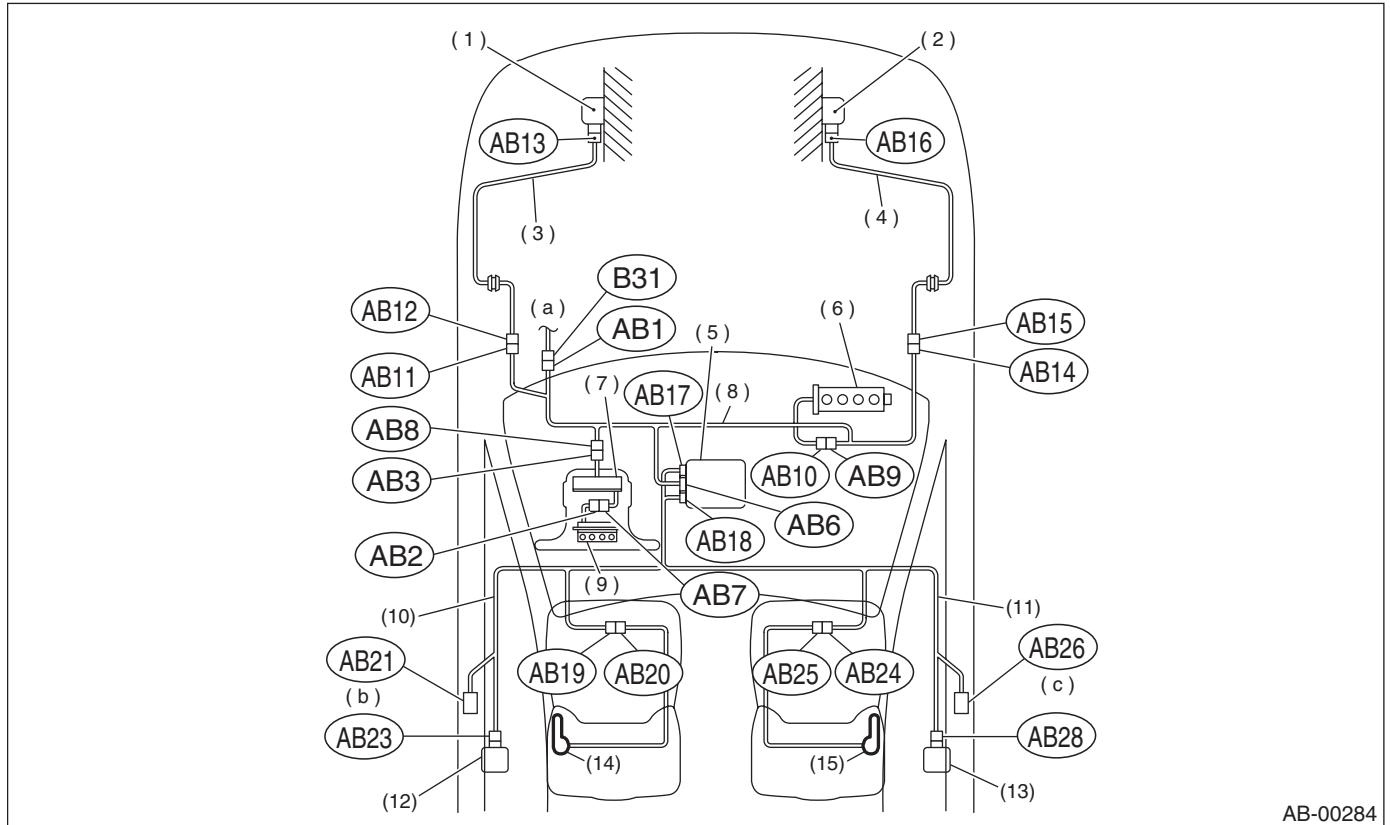
AB-00283

# ELECTRICAL COMPONENTS LOCATION

AIRBAG SYSTEM (DIAGNOSTICS)

## 4. Electrical Components Location

### A: LOCATION



AB-00284

- |  |                               |                                    |
|--|-------------------------------|------------------------------------|
| (1) Front sub sensor (LH)  | (7) Roll connector            | (13) Side airbag sensor (RH)       |
| (2) Front sub sensor (RH)  | (8) Airbag main harness       | (14) Side airbag inflator (LH)     |
| (3) Front sub sensor harness (LH)                                | (9) Inflator (Driver)         | (15) Side airbag inflator (RH)     |
| (4) Front sub sensor harness (RH)                                | (10) Side airbag harness (LH) | (a) To body harness                |
| (5) Airbag control module with safety sensor and electric sensor | (11) Side airbag harness (RH) | (b) To seat belt pretensioner (LH) |
| (6) Inflator (Passenger)   | (12) Side airbag sensor (LH)  | (c) To seat belt pretensioner (RH) |

Connector No.	(AB1)	(AB2)	(AB3)	(AB6)	(AB7)	(AB8)	(AB9)	(AB10)	(AB11)	(AB12)	(AB13)	(AB14)
Pole	12	2	2	28	2	2	4	4	2	2	2	2
Color	Yellow	Yellow	Yellow	Yellow	Yellow	Yellow	Yellow	Yellow	Blue	Blue	Yellow	Blue
Male/Female	Male	Male	Male	Female	Female	Female	Female	Male	Male	Female	Female	Male
Connector No.	(AB15)	(AB16)	(AB17)	(AB18)	(AB19)	(AB20)	(AB21)	(AB23)	(AB24)	(AB25)	(AB26)	(AB28)
Pole	2	2	12	12	2	2	2	4	2	2	2	4
Color	Blue	Yellow	Yellow	Yellow	Yellow	Yellow	Yellow	Yellow	Yellow	Yellow	Yellow	Yellow
Male/Female	Female	Female	Female	Female	Female	Male	Female	Female	Female	Male	Female	Female

# AIRBAG CONNECTOR

AIRBAG SYSTEM (DIAGNOSTICS)

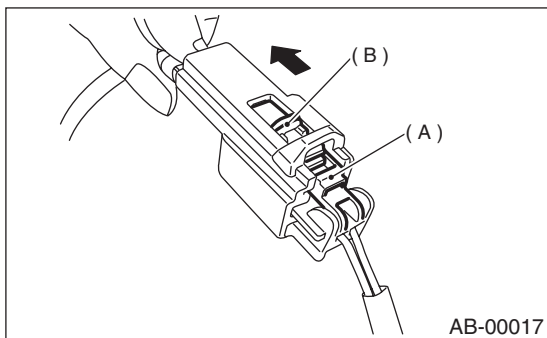
## 5. Airbag Connector

### A: OPERATION

#### 1. DRIVER'S AIRBAG (AIRBAG MAIN HARNESS AND ROLL CONNECTOR), SIDE AIRBAG, FRONT SUB SENSOR HARNESS TO AIRBAG MAIN HARNESS AND PRETENSIONER

##### • How to disconnect:

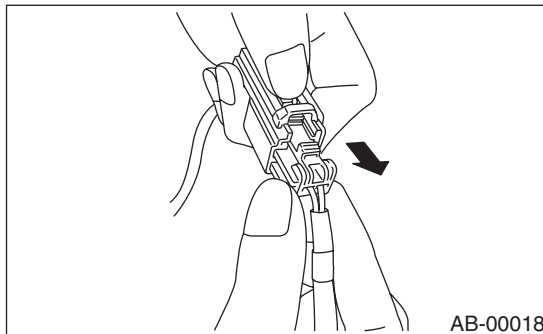
- 1) Push lock arm (A).
- 2) With lock arm (A) pushed in, move slide lock (B) in the direction of the arrow.



- 3) With slide lock (B) pulled, remove lock arm (A) to its original position, and then pull in the direction of the arrow and separate the connector.

##### CAUTION:

When pulling, be sure to hold onto the connector and not the wire.

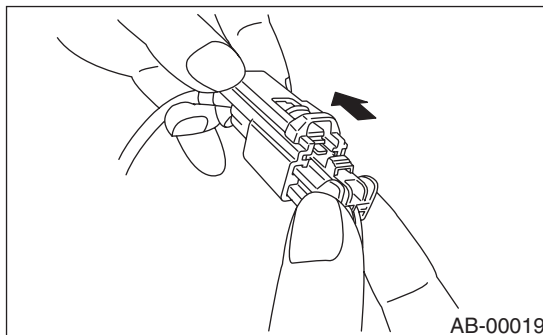


##### • How to connect:

Holding the connector, and push it in carefully until a connecting sound is heard.

##### CAUTION:

Be sure to insert the connector in until it locks. Then pull on it gently to make sure that it is locked.





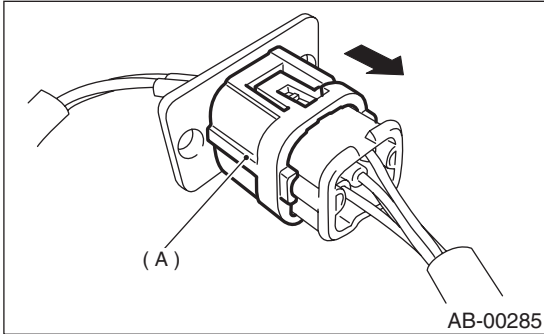
## 2. FRONT SUB-SENSOR, SIDE AIRBAG SENSOR

• **How to disconnect:**

1) Holding outer part (A), pull it in the direction of the arrow.

**CAUTION:**

When pulling, be sure to hold onto the connector and not the wire.

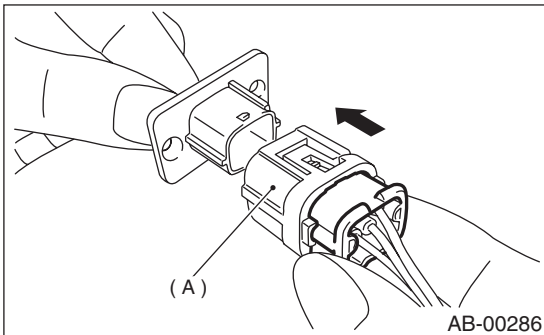


• **How to connect:**

Holding the connector, and push it in carefully until a connecting sound is heard.

**CAUTION:**

- Outer (A) moves back, and so do not put your hand on the outer part.
- Be sure to insert the connector in until it locks. Then pull on it gently to make sure that it is locked.



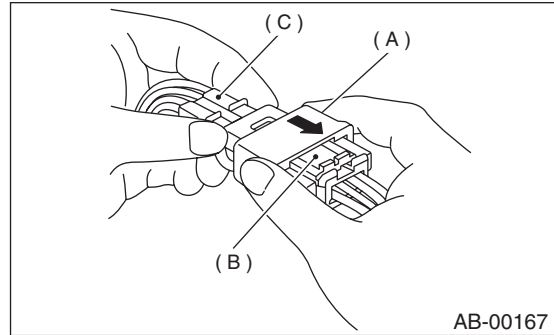
## 3. PASSENGER'S AIRBAG

• **How to disconnect:**

Holding female connector (C) in one hand, use your other hand to pull slide lock (A) in the direction of the arrow.

**CAUTION:**

When pulling, be sure to hold onto the slide lock and not the male connector or wire.



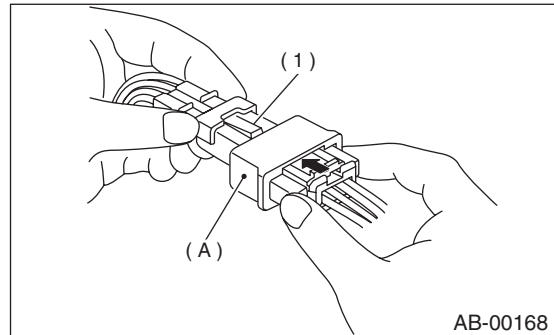
• **How to connect:**

1) Insert female connector (C) over male connector socket (B), and push slide lock (A) into the female connector tabs.

**CAUTION:**

**Do not hold onto the slide lock.**

2) If the male connector socket is pushed too hard, slide lock (A) will go past slide lock (A) tabs and connect.



(1) Hook

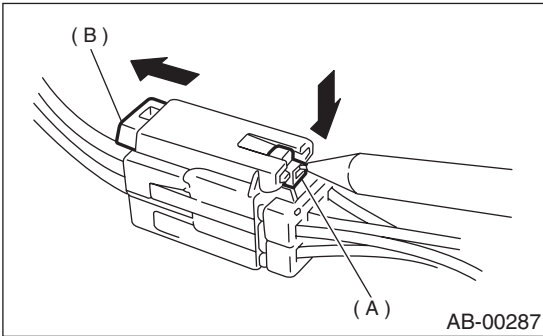
# AIRBAG CONNECTOR

## AIRBAG SYSTEM (DIAGNOSTICS)

### 4. AIRBAG MAIN HARNESS TO BODY HARNESS CONNECTOR

#### • How to disconnect:

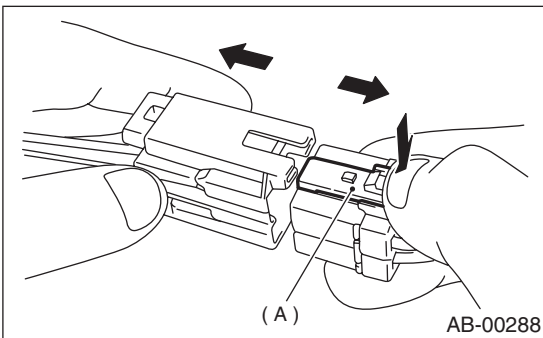
- 1) Push lock arm (A) to let green lever (B) pop out.



- 2) Then separate the connector halves by pulling them apart while pressing lever (A).

#### **CAUTION:**

**When pulling, be sure to hold onto the connector and not the wire.**

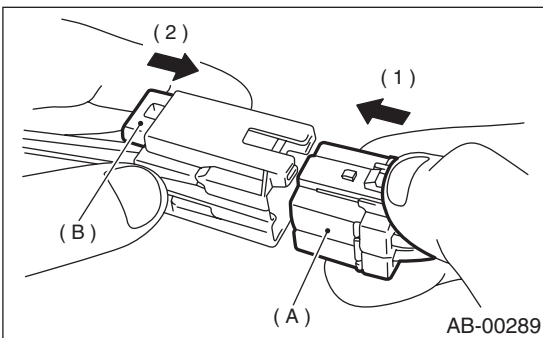


#### • How to connect:

- 1) Insert the (A) connector half into the other until a “click” is heard.
- 2) Push in green lever (B) until a “click” is heard. This engages the double lock mechanism.

#### **CAUTION:**

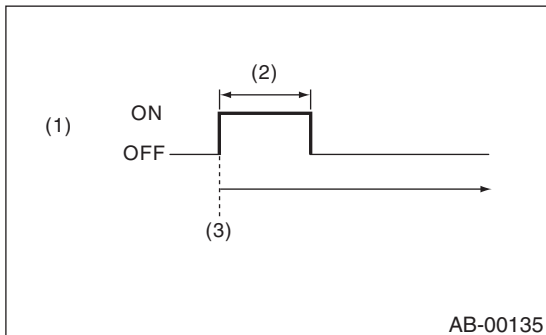
**Be sure to insert the connector in until it locks. Then pull on it gently to make sure that it is locked.**



## 6. Airbag Warning Light Illumination Pattern

### A: INSPECTION

Keep the ignition switch ON, and confirm that the airbag warning light remains off approximately 6 seconds after being turned on.



- (1) Airbag warning light
- (2) Approx. 6 seconds
- (3) Ignition switch ON

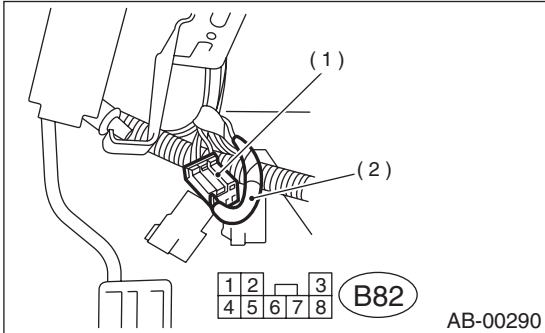
# READ DIAGNOSTIC TROUBLE CODE (DTC)

## AIRBAG SYSTEM (DIAGNOSTICS)

### 7. Read Diagnostic Trouble Code (DTC)

#### A: OPERATION

- 1) Turn the ignition switch ON.
- 2) Connect the diagnosis terminal to diagnosis connector terminal No. 2 in the driver's seat lower cover area.

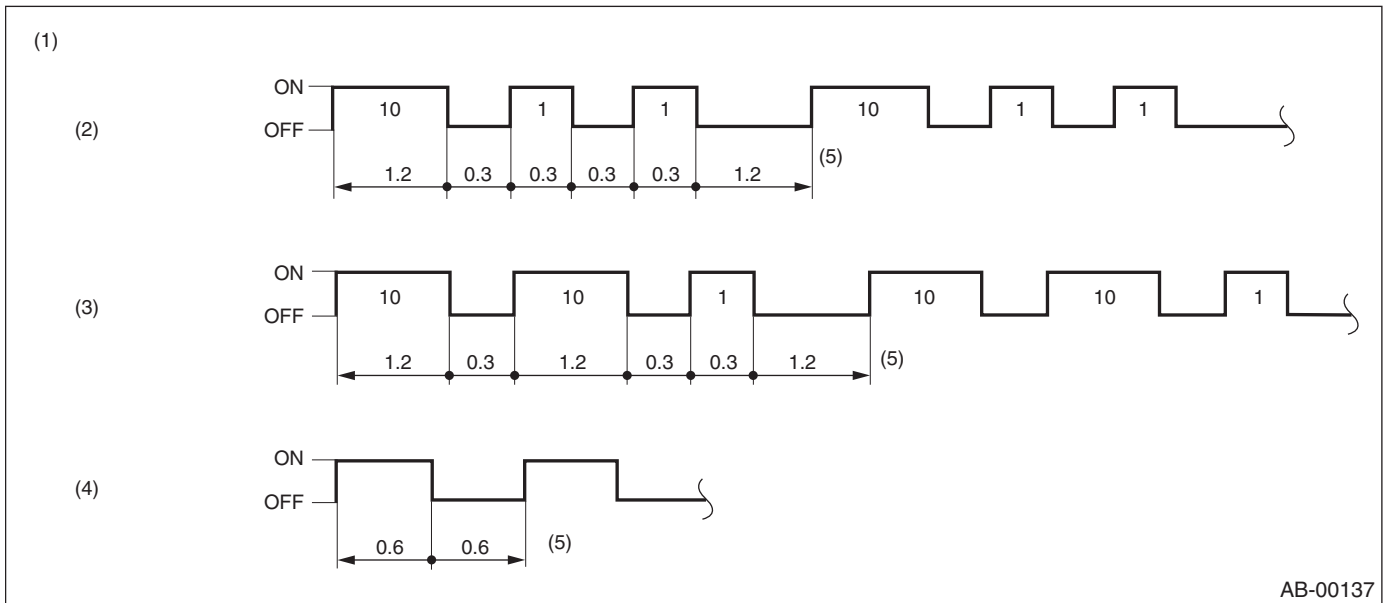


- (1) Diagnosis connector  
 (2) Diagnosis terminal

3) Read DTC by identifying the way the air bag warning light flashes.  
 The airbag warning light flashes a DTC corresponding to the faulty parts.  
 The long segment (1.2 sec on) indicates a “ten”, and the short segment (0.3 sec on) indicates a “one”.

#### NOTE:

- “List of Diagnostic Trouble Code (DTC)” <Ref. to AB-28, List of Diagnostic Trouble Code (DTC).>
- “Airbag Warning Light Failure” <Ref. to AB-24, Airbag Warning Light Failure.>



AB-00137

- (1) Example  
 (2) Flashing code 12  
 (3) Flashing code 21  
 (4) Flashing normal code  
 (5) Sec.

- 4) Turn the ignition switch OFF, and disconnect the diagnosis terminal from the diagnosis connector terminal No. 2.
- 5) Wind tape around the diagnosis terminal and return it to its original position.

## 8. Inspection Mode

### A: OPERATION

Recreate the circumstance by referring to the conditions described in the checklist.

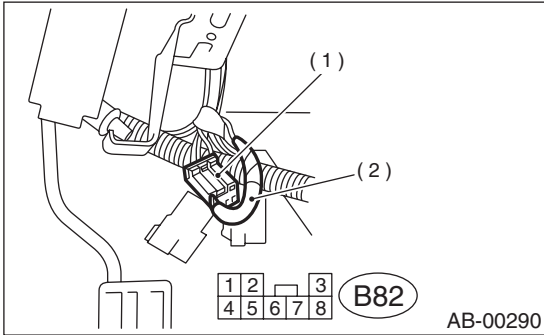
# CLEAR MEMORY MODE

## AIRBAG SYSTEM (DIAGNOSTICS)

### 9. Clear Memory Mode

#### A: OPERATION

- 1) Turn the ignition switch ON.
- 2) Connect the diagnosis terminal to diagnosis connector terminal No. 2 in the driver's seat lower cover area.



- 3) While the warning light flashes, connect another diagnosis terminal to diagnosis connector terminal No. 3.
- 4) Once the memory is erased, the warning light returns to the normal flash rate (0.6 sec on). The failure to recover the normal flash rate indicates that trouble parts still remain. Having repaired such parts, erase the memory again and confirm that the normal flash rate has returned.
- 5) When the memory has been cleared, disconnect the diagnosis terminal from the diagnosis connector.
- 6) Wind tape around the diagnosis terminal and return it to its original position.

# CLEAR MEMORY MODE

AIRBAG SYSTEM (DIAGNOSTICS)

---

**MEMO:**

# AIRBAG WARNING LIGHT FAILURE

AIRBAG SYSTEM (DIAGNOSTICS)

## 10. Airbag Warning Light Failure

### A: AIRBAG WARNING LIGHT REMAINS ON.

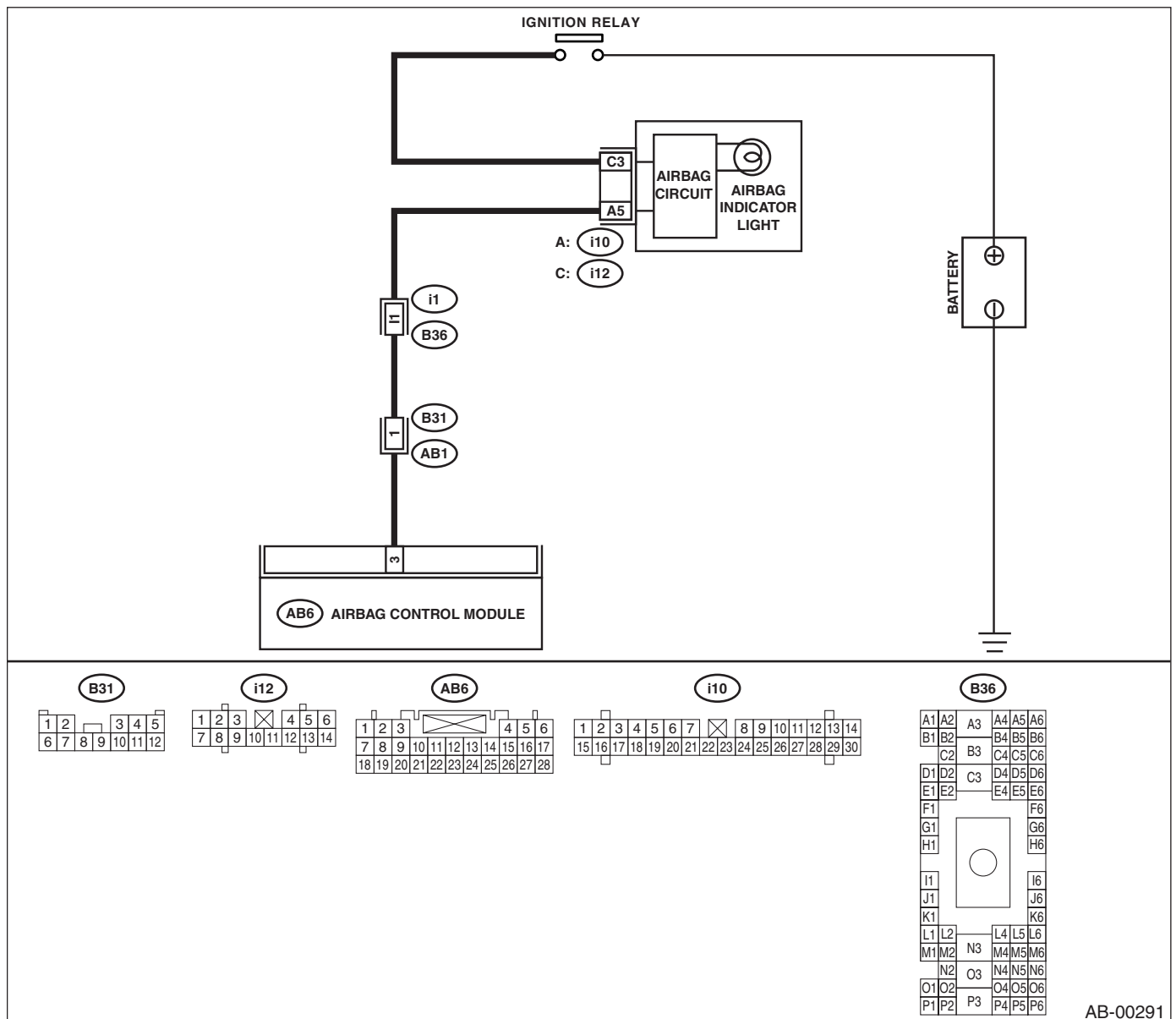
#### DIAGNOSIS:

- Airbag warning light is faulty.
- Airbag control module to airbag warning light circuit is shorted or open.
- Grounding circuit is faulty.
- Airbag control module is faulty.
- (AB1) and (B31) are not connected properly.
- (AB6) is not connected properly to airbag control module.

#### CAUTION:

- Before diagnosing the airbag system, be sure to turn the ignition switch OFF, disconnect the ground cable from the battery, and wait more than 20 seconds before starting to work.
- Before replacing the airbag module, roll connector, control module, and sensor, reconnect each part and confirm that the warning light operates properly.
- When inspecting the airbag main harness, disconnect the airbag module connector of the driver and passenger seats for safety reasons.

#### WIRING DIAGRAM:



AB-00291



# AIRBAG WARNING LIGHT FAILURE

AIRBAG SYSTEM (DIAGNOSTICS)

Step	Check	Yes	No
<b>1 CHECK POOR CONTACT IN CONNECTORS (AB1) AND (B31).</b> 1) Turn the ignition switch OFF, disconnect the battery ground cable, and wait more than 20 seconds. 2) Remove side sill cover. (Driver's side) 3) Confirm that firm contact is secured between connectors (AB1) and (B31).	Is the poor contact in connectors (AB1) and (B31)?	Repair the body harness or replace airbag main harness. <Ref. to AB-16, Main Harness.>	Go to step 2.
<b>2 CHECK POOR CONTACT.</b> Confirm that firm contact is secured between the air bag control module and the connector (AB6). <Ref. to AB-18, Airbag Control Module.>	Is the poor contact in connector (AB6)?	Replace airbag main harness. <Ref. to AB-16, Main Harness.> Or replace the airbag control module. <Ref. to AB-18, Airbag Control Module.>	Go to step 3.
<b>3 CHECK AIRBAG MAIN HARNESS.</b> 1) Turn the ignition switch OFF, disconnect the battery ground cable, and wait more than 20 seconds. 2) Connect the connector (AB1) to (B31). 3) Disconnect connectors (AB3) and (AB8). 4) Pull out the two stopper pins and lower the glove box and disconnect connectors (AB10) and (AB9). 5) Disconnect the connector (AB6) from the airbag control module, and connect the connector (1I) in test harness I2. <Ref. to AB-18, Airbag Control Module.> 6) Connect the battery ground cable and turn the ignition switch ON. 7) Connect connectors (4I) and (5I) in test harness I2.  NOTE: After problem has been eliminated, disconnect connectors (4I) and (5I).	Is the airbag warning light turned off?	Go to step 4.	Replace airbag main harness. <Ref. to AB-16, Main Harness.> Or replace combination meter printed circuit. <Ref. to IDI-13, Combination Meter Assembly.> Or repair the body harness.
<b>4 CHECK AIRBAG MAIN HARNESS.</b> 1) Connect the connector (AB1) to (B31). 2) Disconnect the connector (AB6) from the airbag control module, and connect the connector (1I) in test harness I2. <Ref. to AB-18, Airbag Control Module.> 3) Measure the resistance between connector (2I) in test harness I2 and the chassis ground.  <b>Connector &amp; terminal</b> <b>(2I) No. 9 — Chassis ground:</b> <b>(2I) No. 10 — Chassis ground:</b>	Is the measured value less than 10 Ω?	Replace the airbag control module. <Ref. to AB-18, Airbag Control Module.>	Replace airbag main harness. <Ref. to AB-16, Main Harness.> Or repair the body harness.

# AIRBAG WARNING LIGHT FAILURE

## AIRBAG SYSTEM (DIAGNOSTICS)

### B: AIRBAG WARNING LIGHT REMAINS OFF.

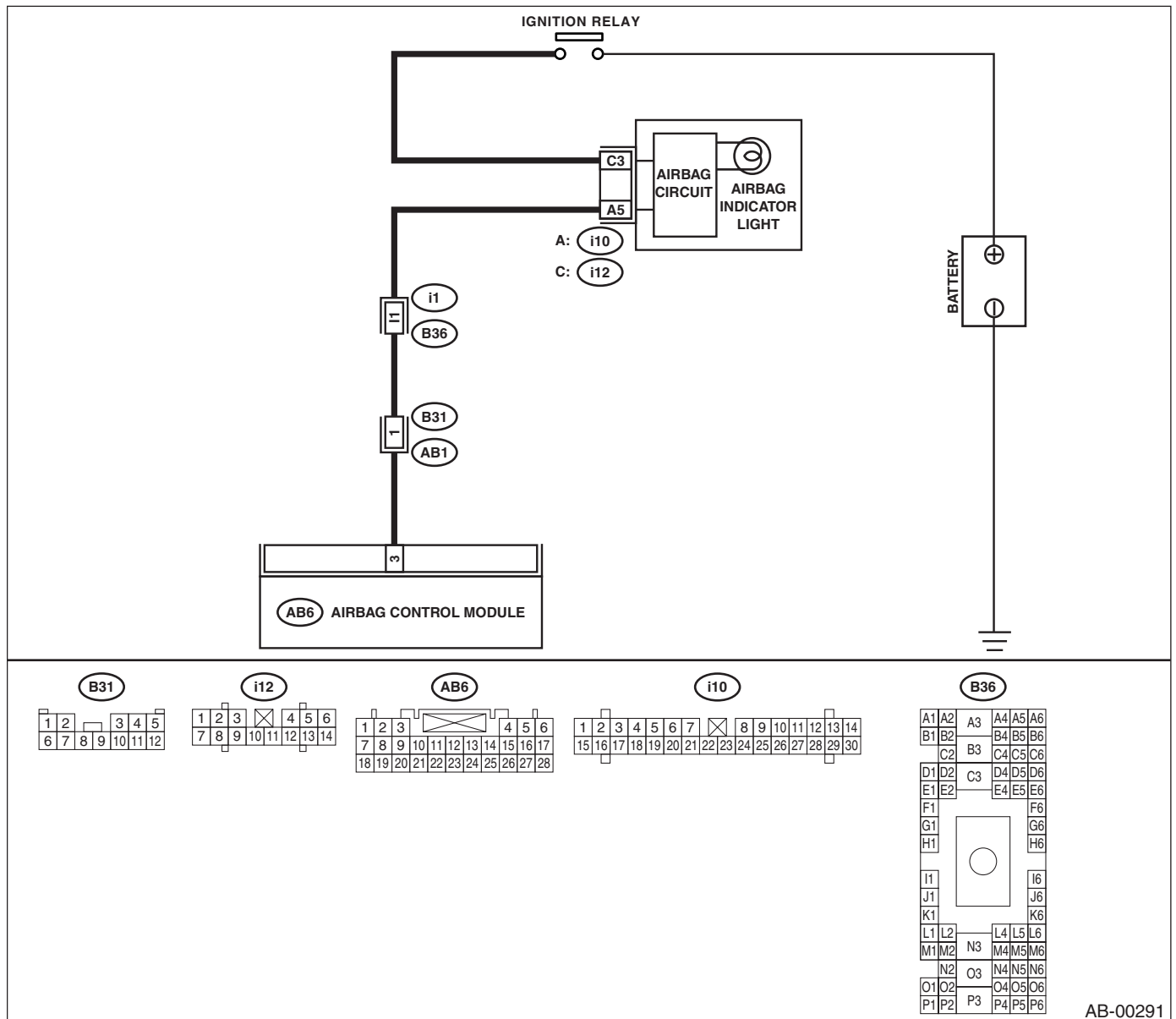
#### DIAGNOSIS:

- Fuse No. 5 (in fuse box) is blown.
- Body harness circuit is open.
- Airbag warning light is faulty.
- Airbag main harness is faulty.
- Airbag control module is faulty.

#### CAUTION:

- Before diagnosing the airbag system, be sure to turn the ignition switch OFF, disconnect the ground cable from the battery, and wait more than 20 seconds before starting to work.
- Before replacing the airbag module, roll connector, control module, and sensor, reconnect each part and confirm that the warning light operates properly.
- When inspecting the airbag main harness, disconnect the airbag module connector of the driver and passenger seats for safety reasons.

#### WIRING DIAGRAM:



AB-00291

# AIRBAG WARNING LIGHT FAILURE

AIRBAG SYSTEM (DIAGNOSTICS)

Step	Check	Yes	No
<b>1 CHECK COMBINATION METER.</b> Turn the ignition switch ON, and confirm that warning lights equipped in the combination meter are turned on.	Do warning lights not for the airbag turn on?	Go to step 2.	Repair combination meter power supply. <Ref. to IDI-4, Combination Meter System.>
<b>2 CHECK FUSE NO. 5 (IN MAIN FUSE BOX).</b> Remove fuse No. 5 and perform visual inspection.	Is fuse No. 5 (in main fuse box) blown?	Replace fuse No. 5. If fuse No. 5 blows again, go to step 3.	Go to step 3.
<b>3 CHECK AIRBAG WARNING LIGHT CIRCUIT (IN COMBINATION METER).</b> 1) Turn the ignition switch OFF, disconnect the battery ground cable, and wait more than 20 seconds. 2) Disconnect the connector (AB1) from (B31). 3) Connect the battery ground cable and turn the ignition switch ON.	Is the airbag warning light turned on?	Go to step 4.	Replace airbag warning light bulb or combination meter printed circuit. <Ref. to IDI-13, Combination Meter Assembly.> Or repair the body harness.
<b>4 CHECK AIRBAG MAIN HARNESS.</b> 1) Turn the ignition switch OFF, disconnect the battery ground cable, and wait more than 20 seconds. 2) Connect the connector (AB1) to (B31). 3) Disconnect the connector (AB6) from the airbag control module. <Ref. to AB-18, Airbag Control Module.> 4) Connect the battery ground cable and turn the ignition switch ON.	Is the airbag warning light turned on?	Replace the airbag control module. <Ref. to AB-18, Airbag Control Module.>	Replace airbag main harness. <Ref. to AB-18, Airbag Control Module.>

# LIST OF DIAGNOSTIC TROUBLE CODE (DTC)

AIRBAG SYSTEM (DIAGNOSTICS)

## 11. List of Diagnostic Trouble Code (DTC)

### A: LIST

DTC	Memory function	Contents of diagnosis	Index No.
11	Provided.	<ul style="list-style-type: none"> <li>• Airbag main harness circuit is open, shorted or shorted to ground.</li> <li>• Airbag module harness (driver) circuit is open, shorted or shorted to ground.</li> <li>• Roll connector circuit is open, shorted or shorted to ground.</li> <li>• Airbag control module is faulty.</li> <li>• Driver's airbag module is faulty.</li> </ul>	<Ref. to AB-32, DTC 11, Diagnostic Chart with Diagnostic Trouble Code (DTC).>
12	Provided.	<ul style="list-style-type: none"> <li>• Airbag main harness circuit is open, shorted or shorted to ground.</li> <li>• Airbag module harness (passenger) circuit is open, shorted or shorted to ground.</li> <li>• Airbag control module is faulty.</li> <li>• Passenger's airbag module is faulty.</li> </ul>	<Ref. to AB-34, DTC 12, Diagnostic Chart with Diagnostic Trouble Code (DTC).>
15	Provided.	<ul style="list-style-type: none"> <li>• Airbag main harness circuit (driver) is shorted to power supply.</li> <li>• Airbag module harness (driver) is shorted to power supply.</li> <li>• Roll connector is shorted to power supply.</li> <li>• Airbag control module is faulty.</li> <li>• Driver's airbag module is faulty.</li> </ul>	<Ref. to AB-36, DTC 15, Diagnostic Chart with Diagnostic Trouble Code (DTC).>
16	Provided.	<ul style="list-style-type: none"> <li>• Airbag main harness circuit (passenger) is shorted to power supply.</li> <li>• Airbag module harness (passenger) is shorted to power supply.</li> <li>• Airbag control module is faulty.</li> <li>• Passenger's airbag module is faulty.</li> </ul>	<Ref. to AB-38, DTC 16, Diagnostic Chart with Diagnostic Trouble Code (DTC).>
21	Provided.	Airbag control module is faulty.	<Ref. to AB-39, DTC 21, Diagnostic Chart with Diagnostic Trouble Code (DTC).>
22	Provided.	Front airbag module and seat belt pretensioner (LH/RH) are inflated.	<Ref. to AB-40, DTC 22, Diagnostic Chart with Diagnostic Trouble Code (DTC).>
23	Not provided.	(AB6), (AB17) and (AB18) are not connected properly to airbag control module.	<Ref. to AB-41, DTC 23, Diagnostic Chart with Diagnostic Trouble Code (DTC).>
24	Not provided.	<ul style="list-style-type: none"> <li>• Airbag control module is faulty.</li> <li>• Airbag main harness circuit is open.</li> <li>• Fuse No. 11 (in joint box) is blown.</li> <li>• Body harness circuit is open.</li> </ul>	<Ref. to AB-42, DTC 24, Diagnostic Chart with Diagnostic Trouble Code (DTC).>
25	Provided.	<ul style="list-style-type: none"> <li>• Airbag control module is faulty.</li> <li>• Airbag main harness circuit is open.</li> <li>• Fuse No. 6 (in joint box) is blown.</li> <li>• Body harness circuit is open.</li> </ul>	<Ref. to AB-44, DTC 25, Diagnostic Chart with Diagnostic Trouble Code (DTC).>
31	Provided.	<ul style="list-style-type: none"> <li>• Front sub-sensor harness (RH) circuit is shorted.</li> <li>• Front sub-sensor harness (RH) circuit is open.</li> <li>• Front sub-sensor (RH) is faulty.</li> <li>• Airbag control module is faulty.</li> </ul>	<Ref. to AB-46, DTC 31, Diagnostic Chart with Diagnostic Trouble Code (DTC).>

# LIST OF DIAGNOSTIC TROUBLE CODE (DTC)

## AIRBAG SYSTEM (DIAGNOSTICS)

DTC	Memory function	Contents of diagnosis	Index No.
32	Provided.	<ul style="list-style-type: none"> <li>• Front sub-sensor harness (LH) circuit is shorted.</li> <li>• Front sub-sensor harness (LH) circuit is open.</li> <li>• Front sub-sensor (LH) is faulty.</li> <li>• Airbag control module is faulty.</li> </ul>	<Ref. to AB-50, DTC 32, Diagnostic Chart with Diagnostic Trouble Code (DTC).>
41	Provided.	<ul style="list-style-type: none"> <li>• Side airbag harness (RH) is faulty.</li> <li>• Side airbag module (RH) is faulty.</li> <li>• Airbag control module is faulty.</li> </ul>	<Ref. to AB-54, DTC 41, Diagnostic Chart with Diagnostic Trouble Code (DTC).>
42	Provided.	<ul style="list-style-type: none"> <li>• Side airbag harness (LH) is faulty.</li> <li>• Side airbag module (LH) is faulty.</li> <li>• Airbag control module is faulty.</li> </ul>	<Ref. to AB-56, DTC 42, Diagnostic Chart with Diagnostic Trouble Code (DTC).>
45	Provided.	<ul style="list-style-type: none"> <li>• Side airbag harness (RH) is shorted to power supply.</li> <li>• Airbag control module is faulty.</li> </ul>	<Ref. to AB-58, DTC 45, Diagnostic Chart with Diagnostic Trouble Code (DTC).>
46	Provided.	<ul style="list-style-type: none"> <li>• Side airbag harness (LH) is shorted to power supply.</li> <li>• Airbag control module is faulty.</li> </ul>	<Ref. to AB-60, DTC 46, Diagnostic Chart with Diagnostic Trouble Code (DTC).>
51	Provided.	<ul style="list-style-type: none"> <li>• Side airbag sensor (RH) is faulty.</li> <li>• Side airbag harness (RH) is faulty.</li> <li>• Airbag control module is faulty.</li> </ul>	<Ref. to AB-62, DTC 51, Diagnostic Chart with Diagnostic Trouble Code (DTC).>
52	Provided.	<ul style="list-style-type: none"> <li>• Side airbag sensor (LH) is faulty.</li> <li>• Side airbag harness (LH) is faulty.</li> <li>• Airbag control module is faulty.</li> </ul>	<Ref. to AB-64, DTC 52, Diagnostic Chart with Diagnostic Trouble Code (DTC).>
53	Provided.	Side airbag sensor (RH) is faulty.	<Ref. to AB-65, DTC 53, Diagnostic Chart with Diagnostic Trouble Code (DTC).>
54	Provided.	Side airbag sensor (LH) is faulty.	<Ref. to AB-65, DTC 54, Diagnostic Chart with Diagnostic Trouble Code (DTC).>
55	Provided.	Side airbag module is inflated.	<Ref. to AB-65, DTC 55, Diagnostic Chart with Diagnostic Trouble Code (DTC).>
61	Provided.	<ul style="list-style-type: none"> <li>• Seat belt pretensioner (RH) circuit is open, shorted or shorted to ground.</li> <li>• Airbag control module is faulty.</li> <li>• Pretensioner is faulty.</li> <li>• Pretensioner harness is faulty.</li> </ul>	<Ref. to AB-66, DTC 61, Diagnostic Chart with Diagnostic Trouble Code (DTC).>
62	Provided.	<ul style="list-style-type: none"> <li>• Seat belt pretensioner (LH) circuit is open, shorted or shorted to ground.</li> <li>• Airbag control module is faulty.</li> <li>• Pretensioner is faulty.</li> <li>• Pretensioner harness is faulty.</li> </ul>	<Ref. to AB-68, DTC 62, Diagnostic Chart with Diagnostic Trouble Code (DTC).>
65	Provided.	<ul style="list-style-type: none"> <li>• Seat belt pretensioner (RH) circuit is shorted to power supply.</li> <li>• Pretensioner is faulty.</li> <li>• Pretensioner harness is faulty.</li> <li>• Airbag control module is faulty.</li> </ul>	<Ref. to AB-70, DTC 65, Diagnostic Chart with Diagnostic Trouble Code (DTC).>

## LIST OF DIAGNOSTIC TROUBLE CODE (DTC)

### AIRBAG SYSTEM (DIAGNOSTICS)

DTC	Memory function	Contents of diagnosis	Index No.
66	Provided.	<ul style="list-style-type: none"><li>• Seat belt pretensioner (LH) circuit is shorted to power supply.</li><li>• Pretensioner is faulty.</li><li>• Pretensioner harness is faulty.</li><li>• Airbag control module is faulty.</li></ul>	<Ref. to AB-72, DTC 66, Diagnostic Chart with Diagnostic Trouble Code (DTC).>
72	Provided.	<ul style="list-style-type: none"><li>• Airbag harness is open, shorted or shorted to ground.</li><li>• Airbag module harness (passenger) circuit is open, shorted or shorted to ground.</li><li>• Airbag control module is faulty.</li><li>• Passenger's airbag module is faulty.</li></ul>	<Ref. to AB-74, DTC 72, Diagnostic Chart with Diagnostic Trouble Code (DTC).>
76	Provided.	<ul style="list-style-type: none"><li>• Airbag harness (passenger) is shorted or shorted to power supply.</li><li>• Airbag module harness (passenger) is shorted to power supply.</li><li>• Airbag control module is faulty.</li></ul> Passenger's airbag module is faulty.	<Ref. to AB-76, DTC 76, Diagnostic Chart with Diagnostic Trouble Code (DTC).>

# LIST OF DIAGNOSTIC TROUBLE CODE (DTC)

AIRBAG SYSTEM (DIAGNOSTICS)

---

**MEMO:**

# DIAGNOSTIC CHART WITH DIAGNOSTIC TROUBLE CODE (DTC)

AIRBAG SYSTEM (DIAGNOSTICS)

## 12. Diagnostic Chart with Diagnostic Trouble Code (DTC)

### A: DTC 11

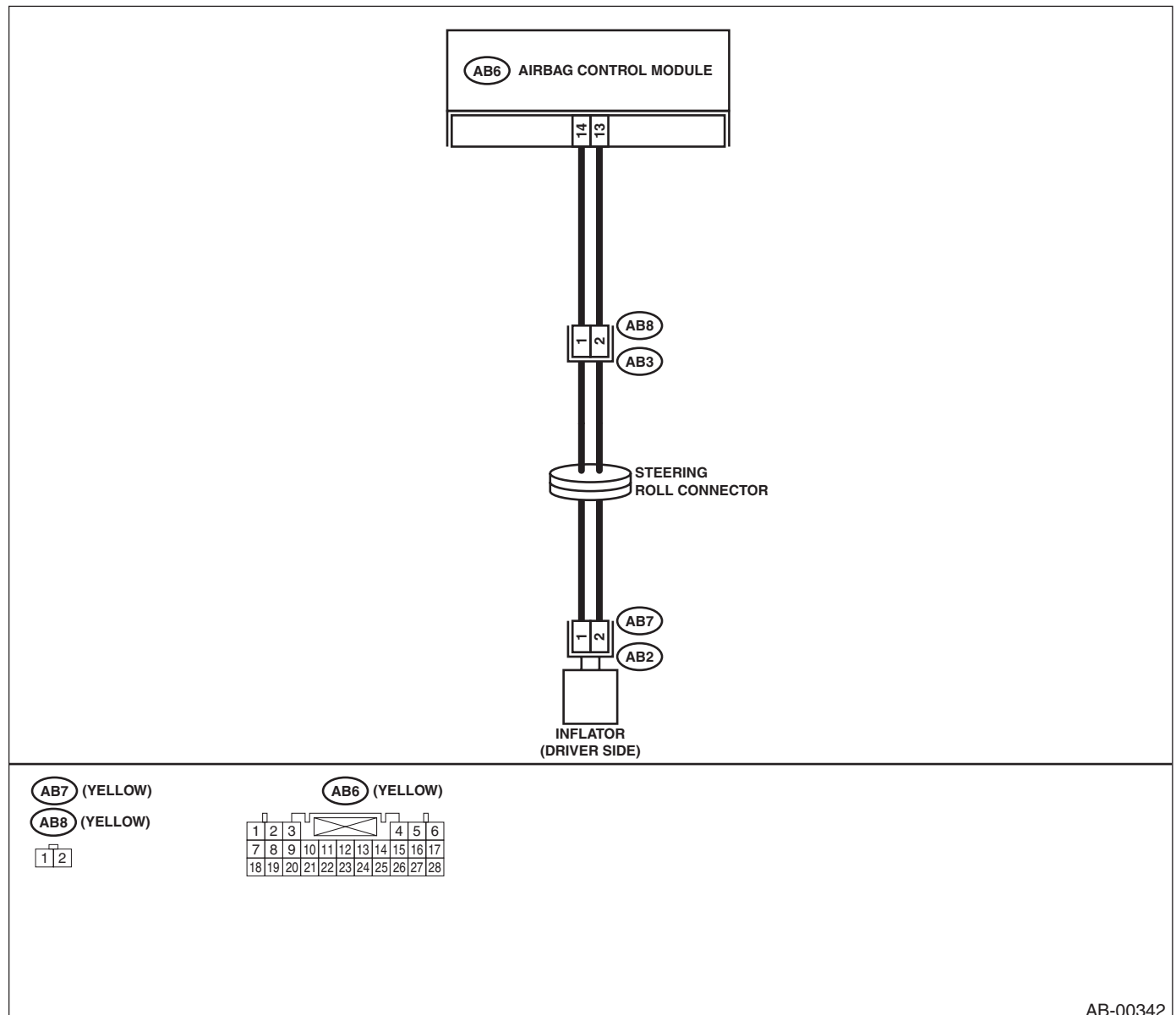
#### DIAGNOSIS:

- Airbag main harness circuit is open, shorted or shorted to ground.
- Airbag module harness (Driver) circuit is open, shorted or shorted to ground.
- Roll connector circuit is open, shorted or shorted to ground.
- Driver's airbag module is faulty.
- Airbag control module is faulty.

#### CAUTION:

- Before diagnosing the airbag system, be sure to turn the ignition switch OFF, disconnect the ground cable from the battery, and wait more than 20 seconds before starting to work.
- Before replacing the airbag module, roll controller, control module, and sensor, reconnect each part and confirm that the warning light operates properly.
- When inspecting the airbag main harness, disconnect the driver's airbag module and passenger's airbag module connectors for safety reasons.

#### WIRING DIAGRAM:



AB-00342



# DIAGNOSTIC CHART WITH DIAGNOSTIC TROUBLE CODE (DTC)

AIRBAG SYSTEM (DIAGNOSTICS)

Step	Check	Yes	No
<b>1 CHECK DRIVER'S AIRBAG MODULE.</b> 1) Turn the ignition switch OFF, disconnect battery ground cable, and wait more than 20 seconds. 2) Remove the driver's airbag module. <Ref. to AB-13, Driver's Airbag Module.> 3) Connect the connector (1F) in test harness F to connector (AB7). 4) Connect airbag resistor to connector (3F) in test harness F. 5) Connect the battery ground cable and turn the ignition switch ON.	Does the airbag warning light operate properly?	Replace the driver's airbag module. <Ref. to AB-13, Driver's Airbag Module.>	Go to step 2.
<b>2 CHECK ROLL CONNECTOR.</b> 1) Turn the ignition switch OFF, disconnect the battery ground cable, and wait more than 20 second. 2) Disconnect the test harness from the connector (AB7). 3) Remove the lower cover panel, disconnect the connector (AB3) from (AB8) and connect the connector (1F) in test harness F to connector (AB8). 4) Connect the airbag resistor to connector (3F) in test harness F. 5) Connect the battery ground cable and turn the ignition switch ON.	Does the airbag warning light operate properly?	Replace the roll connector. <Ref. to AB-20, Roll Connector.>	Go to step 3.
<b>3 CHECK AIRBAG MAIN HARNESS.</b> 1) Turn the ignition switch OFF, disconnect the ground cable, and wait more than 20 seconds. 2) Disconnect the airbag resistor from the connector (3F) in test harness F. 3) Remove the glove box, <Ref. to AB-<Ref. to AB-14, Passenger's Airbag Module.>, REMOVAL, Passenger's Airbag Module.> and disconnect connectors (AB10) and (AB9). 4) Disconnect the connector (AB6) from the airbag control module, and connect the connector (1I) in test harness I2. <Ref. to AB-18, Airbag Control Module.> 5) Measure the resistance between connector (2I) in test harness I2 and the connector (3F) in test harness F. <b>Connector &amp; terminal</b> <b>(2I) No. 1 — (3F) No. 4:</b> <b>(2I) No. 4 — (3F) No. 3:</b>	Is the measured value less than 10 Ω?	Go to step 4.	Replace airbag main harness. <Ref. to AB-16, Main Harness.>
<b>4 CHECK AIRBAG MAIN HARNESS.</b> Measure the resistance of the connector (2I) in test harness I2. <b>Connector &amp; terminal</b> <b>(2I) No. 1 — No. 4:</b> <b>(2I) No. 4 — Chassis ground:</b> <b>(2I) No. 1 — Chassis ground:</b>	Is the measured value more than 1 MΩ?	Replace the airbag control module. <Ref. to AB-18, Airbag Control Module.>	Replace airbag main harness. <Ref. to AB-16, Main Harness.>

# DIAGNOSTIC CHART WITH DIAGNOSTIC TROUBLE CODE (DTC)

## AIRBAG SYSTEM (DIAGNOSTICS)

### B: DTC 12

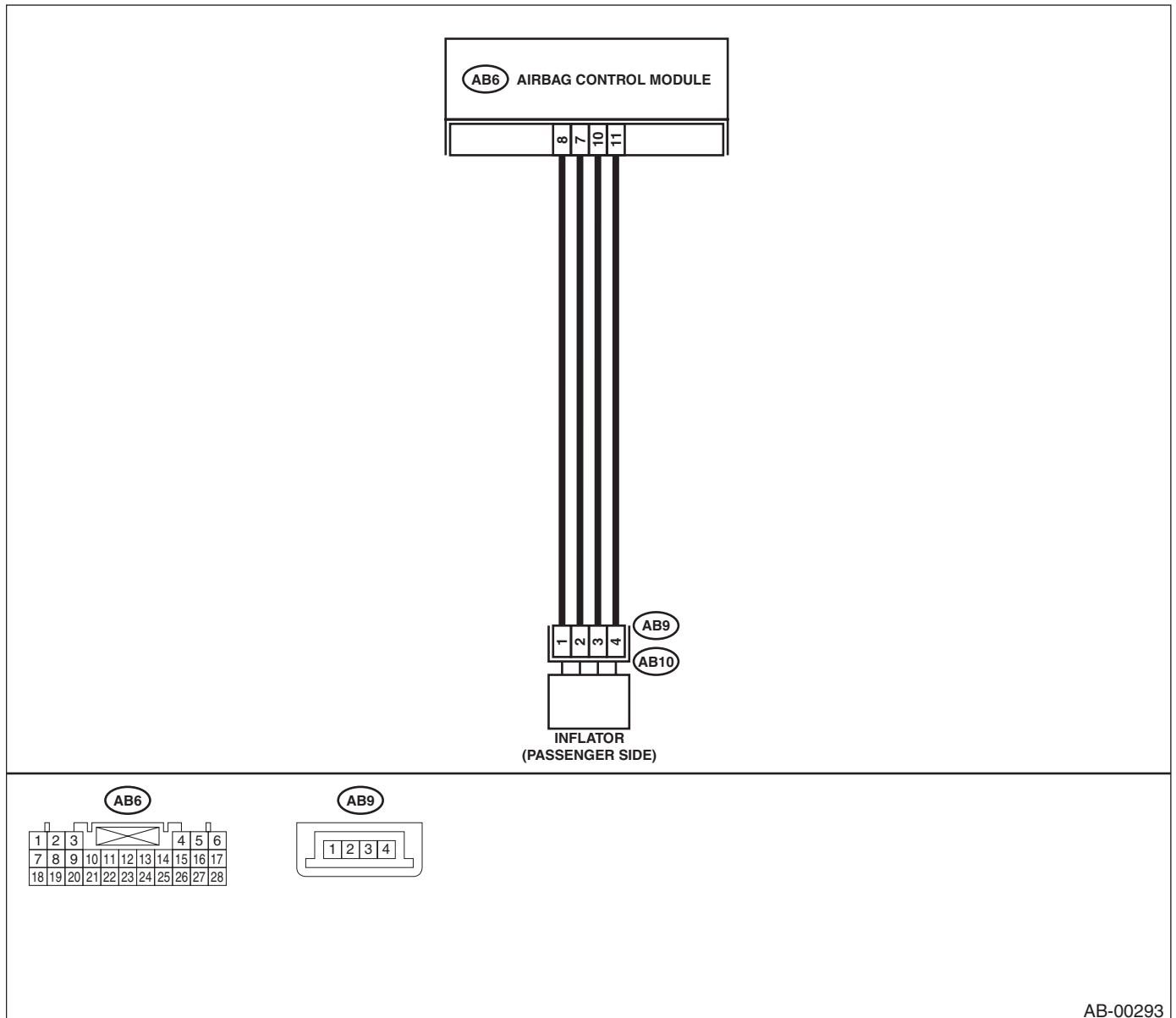
#### DIAGNOSIS:

- Airbag main harness circuit is open, shorted or shorted to ground.
- Airbag module harness (Passenger) circuit is open, shorted or shorted to ground.
- Passenger's airbag module is faulty.
- Airbag control module is faulty.

#### CAUTION:

- Before diagnosing the airbag system, be sure to turn the ignition switch OFF, disconnect the ground cable from the battery, and wait more than 20 seconds before starting to work.
- Before replacing the airbag module, roll connector, control module, and sensor, reconnect each part and confirm that the warning light operates properly.
- When inspecting the airbag main harness, disconnect the airbag module connector of the driver and passenger seats for safety reasons.

#### WIRING DIAGRAM:



AB-00293

# DIAGNOSTIC CHART WITH DIAGNOSTIC TROUBLE CODE (DTC)

AIRBAG SYSTEM (DIAGNOSTICS)

Step	Check	Yes	No
<b>1 CHECK PASSENGER'S AIRBAG MODULE.</b> 1) Turn the ignition switch OFF, disconnect the battery ground cable, and wait more than 20 seconds. 2) Pull out the two stopper pins and lower the glove box. 3) Disconnect the connector (AB10) from (AB9). 4) Connect the connector (1K) in test harness K to connector (AB9). 5) Connect two airbag resistors to connectors (3K) and (4K) in test harness K. 6) Connect the battery ground cable and turn the ignition switch ON.	Does the airbag warning light operate properly?	Replace the passenger airbag module. <Ref. to AB-14, Passenger's Airbag Module.>	Go to step 2.
<b>2 CHECK AIRBAG MAIN HARNESS.</b> 1) Turn the ignition switch OFF, disconnect the battery ground cable, and wait more than 20 seconds. 2) Disconnect two airbag resistors from the connectors (3K) and (4K) in test harness K. 3) Remove lower cover and disconnect the connector (AB3) from (AB8). 4) Disconnect the connector (AB6) from the airbag control module, and connect the connector (1I) in test harness I2. <Ref. to AB-18, Airbag Control Module.> 5) Measure the resistance between connector (2I) in test harness I2 and the connector (3K) in test harness K. <b>Connector &amp; terminal</b> (2I) No. 2 — (3K) No. 4: (2I) No. 5 — (3K) No. 3:	Is the measured value less than 10 Ω?	Go to step 3.	Replace airbag main harness. <Ref. to AB-16, Main Harness.>
<b>3 CHECK AIRBAG MAIN HARNESS.</b> Measure the resistance of the connector (2I) in test harness I2. <b>Connector &amp; terminal</b> (2I) No. 2 — No. 5: (2I) No. 2 — Chassis ground: (2I) No. 5 — Chassis ground:	Is the measured value more than 1 MΩ?	Replace airbag control module. <Ref. to AB-18, Airbag Control Module.>	Replace airbag main harness. <Ref. to AB-16, Main Harness.>

# DIAGNOSTIC CHART WITH DIAGNOSTIC TROUBLE CODE (DTC)

## AIRBAG SYSTEM (DIAGNOSTICS)

### C: DTC 15

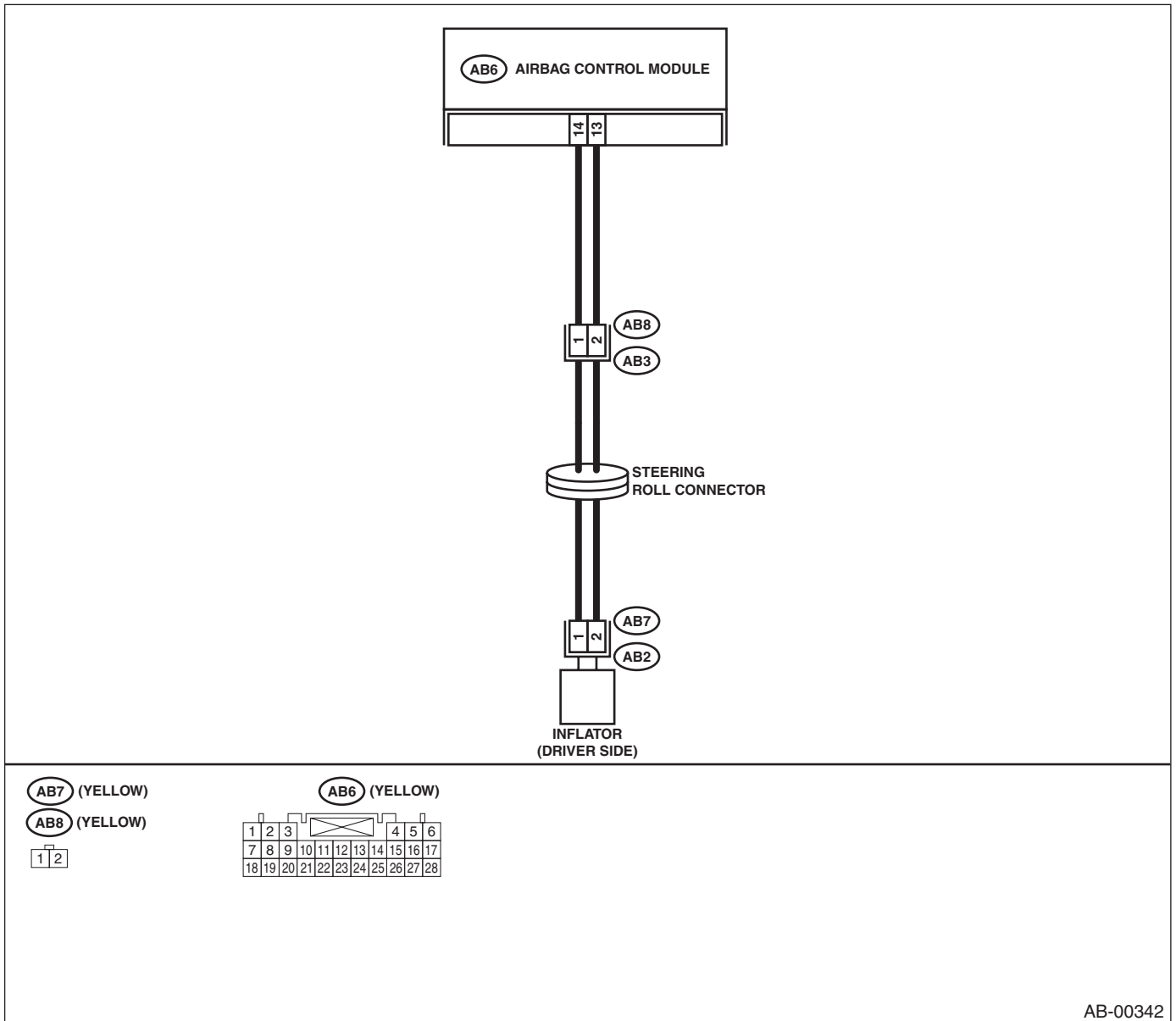
#### DIAGNOSIS:

- Airbag main harness circuit (Driver) is shorted to the power supply.
- Airbag module harness (Driver) is shorted to the power supply.
- Roll connector is shorted to the power supply.
- Driver's airbag module is faulty.
- Airbag control module is faulty.

#### CAUTION:

- Before diagnosing the airbag system, be sure to turn the ignition switch OFF, disconnect the ground cable from the battery, and wait more than 20 seconds before starting to work.
- Before replacing the airbag module, roll connector, control module, and sensor, reconnect each part and confirm that the warning light operates properly.
- When inspecting the airbag main harness, disconnect the driver's airbag module and passenger's airbag module connectors for safety reasons.

#### WIRING DIAGRAM:



AB-00342

# DIAGNOSTIC CHART WITH DIAGNOSTIC TROUBLE CODE (DTC)

AIRBAG SYSTEM (DIAGNOSTICS)

Step	Check	Yes	No
<b>1 CHECK DRIVER'S AIRBAG MODULE.</b> 1) Turn the ignition switch OFF, disconnect the battery ground cable, and wait more than 20 seconds. 2) Remove the driver's airbag module. <Ref. to AB-13, Driver's Airbag Module.> 3) Connect the connector (AB7) to connector (1F) in test harness F. 4) Connect the airbag resistor to connector (3F) in test harness F. 5) Connect the battery ground cable and turn the ignition switch ON.	Does the airbag warning light operate properly?	Replace the driver's airbag module. <Ref. to AB-13, Driver's Airbag Module.>	Go to step 2.
<b>2 CHECK ROLL CONNECTOR.</b> 1) Turn the ignition switch OFF, disconnect the battery ground cable, and wait more than 20 seconds. 2) Disconnect the test harness from the connector (AB7). 3) Remove the lower cover panel and disconnect the connector (AB3) from (AB8). 4) Connect the connector (1F) in test harness F to connector (AB8). 5) Connect the airbag resistor to connector (3F) in test harness F. 6) Connect the battery ground cable and turn the ignition switch ON.	Does the airbag warning light operate properly?	Replace the roll connector. <Ref. to AB-20, Roll Connector.>	Go to step 3.
<b>3 CHECK AIRBAG MAIN HARNESS.</b> 1) Turn the ignition switch OFF, disconnect the battery ground cable, and wait more than 20 seconds. 2) Disconnect the airbag resistor from the connector (3F) in test harness F. 3) Pull out the two stopper pins and lower the glove box, and disconnect connectors (AB10) and (AB9). 4) Disconnect the connector (AB6) from the airbag control module, and connect the connector (1I) in test harness I2. <Ref. to AB-18, Airbag Control Module.> 5) Connect the battery ground cable and turn the ignition switch ON. (Engine OFF) 6) Measure the voltage between connector (2I) in test harness I2 and the chassis ground.  <b>Connector &amp; terminal</b> (2I) No. 4 (+) — Chassis ground (-): (2I) No. 1 (+) — Chassis ground (-):	Is the measured value less than 1 V?	Replace the airbag control module. <Ref. to AB-18, Airbag Control Module.>	Replace airbag main harness. <Ref. to AB-16, Main Harness.>

# DIAGNOSTIC CHART WITH DIAGNOSTIC TROUBLE CODE (DTC)

## AIRBAG SYSTEM (DIAGNOSTICS)

### D: DTC 16

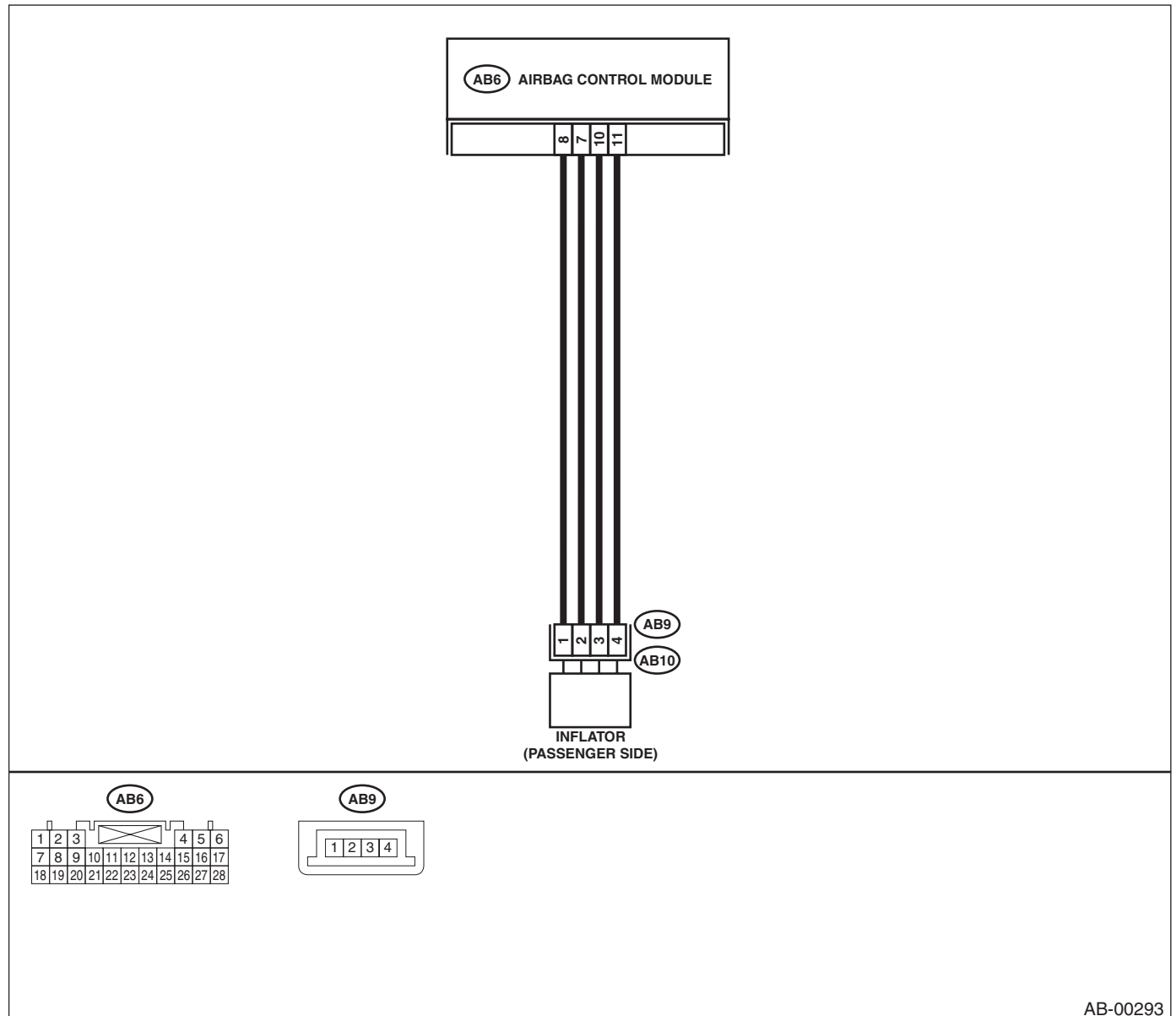
#### DIAGNOSIS:

- Airbag main harness circuit (Passenger) is shorted to the power supply.
- Airbag module harness (Passenger) is shorted to the power supply.
- Passenger's airbag module is faulty.
- Airbag control module is faulty.

#### CAUTION:

- Before diagnosing the airbag system, be sure to turn the ignition switch OFF, disconnect the ground cable from the battery, and wait more than 20 seconds before starting to work.
- Before replacing the airbag module, roll connector, control module, and sensor, reconnect each part and confirm that the warning light operates properly.
- When inspecting the airbag main harness, disconnect the airbag module connector of the driver and passenger seats for safety reasons.

#### WIRING DIAGRAM:



AB-00293

# DIAGNOSTIC CHART WITH DIAGNOSTIC TROUBLE CODE (DTC)

AIRBAG SYSTEM (DIAGNOSTICS)

Step	Check	Yes	No
<b>1 CHECK PASSENGER'S AIRBAG MODULE.</b> 1) Turn the ignition switch OFF, disconnect the battery ground cable, and wait more than 20 seconds. 2) Pull out the two stopper pins and lower the glove box. 3) Disconnect the connector (AB10) from (AB9) 4) Connect the connector (1K) in test harness K to connector (AB9). 5) Connect two airbag resistors to connectors (3K) and (4K) in test harness K. 6) Connect the battery ground cable and turn the ignition switch ON.	Does the airbag warning light operate properly?	Replace the passenger airbag module. <Ref. to AB-14, Passenger's Airbag Module.>	Go to step 2.
<b>2 CHECK AIRBAG MAIN HARNESS.</b> 1) Turn the ignition switch OFF, disconnect the battery ground cable, and wait more than 20 seconds. 2) Disconnect two airbag resistors from the connectors (3K) and (4K) in test harness K. 3) Remove the lower cover and disconnect the connector (AB3) from (AB8). 4) Disconnect the connector (AB6) from the airbag control module, and connect the connector (1I) in test harness I2. <Ref. to AB-18, Airbag Control Module.> 5) Measure the voltage between connector (2I) in test harness I2 and the chassis ground. <b>Connector &amp; terminal</b> <i>(2I) No. 2 — Chassis ground:</i> <i>(2I) No. 5 — Chassis ground:</i>	Is the measured value less than 1 V?	Replace the airbag control module. <Ref. to AB-18, Airbag Control Module.>	Replace airbag main harness. <Ref. to AB-16, Main Harness.>

## E: DTC 21

### DIAGNOSIS:

- Airbag control module is faulty.

### CAUTION:

- Before diagnosing the airbag system, be sure to turn the ignition switch OFF, disconnect the ground cable from the battery, and wait more than 20 seconds before starting to work.
- Before replacing the airbag module, roll connector, control module, and sensor, reconnect each part and confirm that the warning light operates properly.

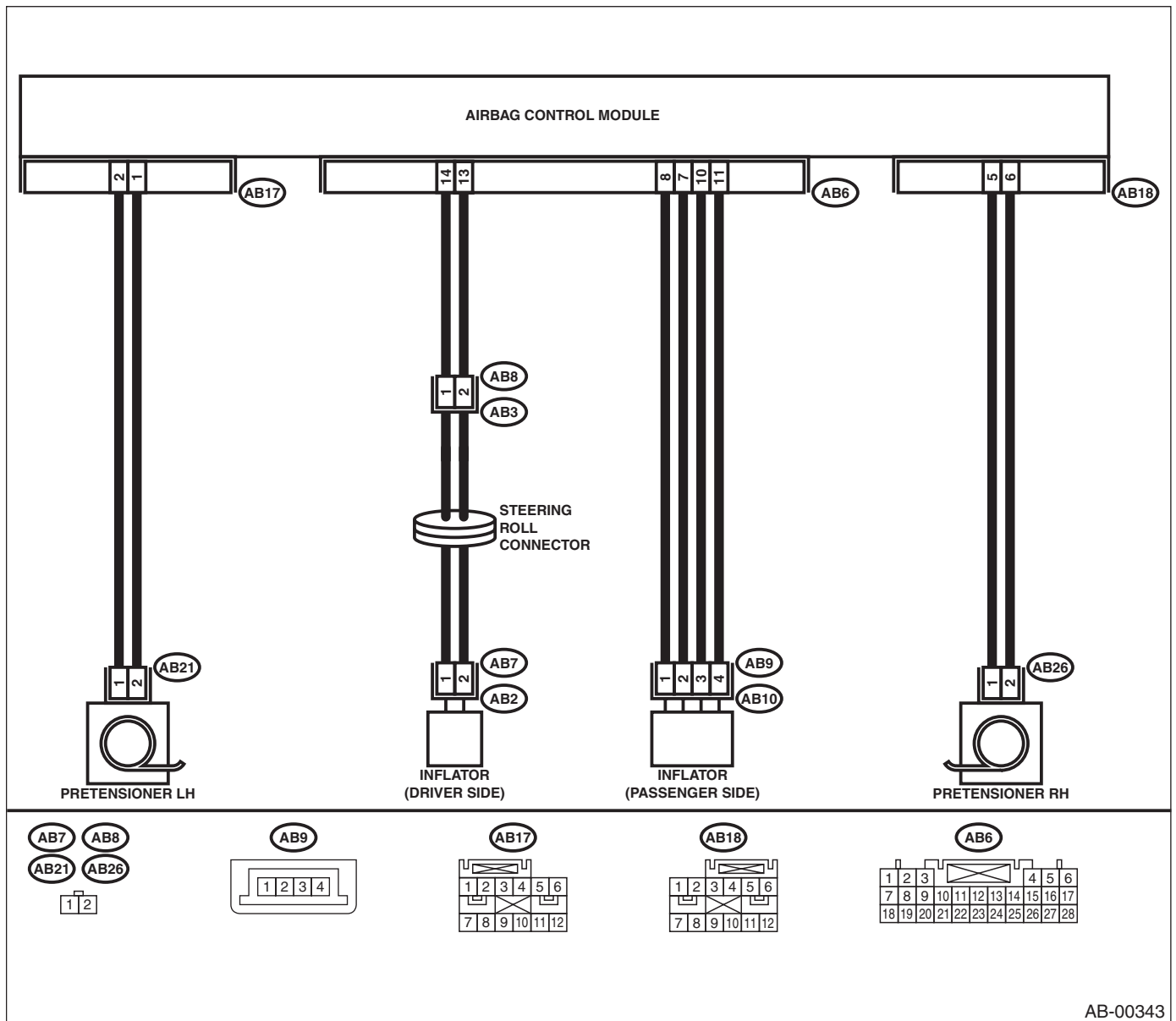
Step	Check	Yes	No
<b>1 CHECK IF DTC 21 IS INDICATED.</b> Read Diagnostic Trouble Code. <Ref. to AB-20, Read Diagnostic Trouble Code (DTC).>	Is airbag warning light trouble code 21 indicated?	Replace the airbag control module. <Ref. to AB-18, Airbag Control Module.>	Perform clear memory. <Ref. to AB-22, Clear Memory Mode.>

# DIAGNOSTIC CHART WITH DIAGNOSTIC TROUBLE CODE (DTC)

## AIRBAG SYSTEM (DIAGNOSTICS)

### F: DTC 22

#### WIRING DIAGRAM:



AB-00343

This code is indicated when the front airbag and the pretensioner are in operation.

Once this code is indicated, memory is not erasable; therefore change the following parts.

- Airbag control module. <Ref. to AB-18, Airbag Control Module.>
- Driver's airbag module. <Ref. to AB-13, Driver's Airbag Module.>
- Passenger's airbag module. <Ref. to AB-14, Passenger's Airbag Module.>
- Front sub-sensor of both sides. <Ref. to AB-21, Front Sub Sensor.>
- Front seat belt outer with pretensioner of both sides. <Ref. to SB-8, Front Seat Belt.>



# DIAGNOSTIC CHART WITH DIAGNOSTIC TROUBLE CODE (DTC)

AIRBAG SYSTEM (DIAGNOSTICS)

## G: DTC 23

### DIAGNOSIS:

(AB6), (AB17) and (AB18) are not connected properly to airbag control module.

### CAUTION:

**Before diagnosing the airbag system, be sure to turn the ignition switch OFF, disconnect the ground cable from the battery, and wait more than 20 seconds before starting to work.**

Step	Check	Yes	No
<b>1</b> <b>CHECK POOR CONTACT IN CONNECTORS (AB6), (AB17) and (AB18).</b> 1) Turn the ignition switch OFF, disconnect the battery ground cable, and wait more than 20 seconds. 2) Disconnect the connectors (AB6), (AB17) and (AB18) from the airbag control module. <Ref. to AB-18, Airbag Control Module.>	Does if rust or damage appear on the harness connector and the control module connector?	Replace the airbag control module. <Ref. to AB-18, Airbag Control Module.> Replace airbag main harness. <Ref. to AB-16, Main Harness.> Replace side airbag harness. <Ref. to AB-17, Side Airbag Harness.>	Go to step 2.
<b>2</b> <b>CHECK POOR CONTACT IN CONNECTORS (AB6), (AB17) and (AB18).</b> 1) Ensure that connectors are firmly reconnected. 2) Connect the battery ground cable and turn the ignition switch ON.	Does the air bag warning light operate properly?	Finish the diagnosis.	Replace the airbag control module. <Ref. to AB-18, Airbag Control Module.>

# DIAGNOSTIC CHART WITH DIAGNOSTIC TROUBLE CODE (DTC)

## AIRBAG SYSTEM (DIAGNOSTICS)

### H: DTC 24

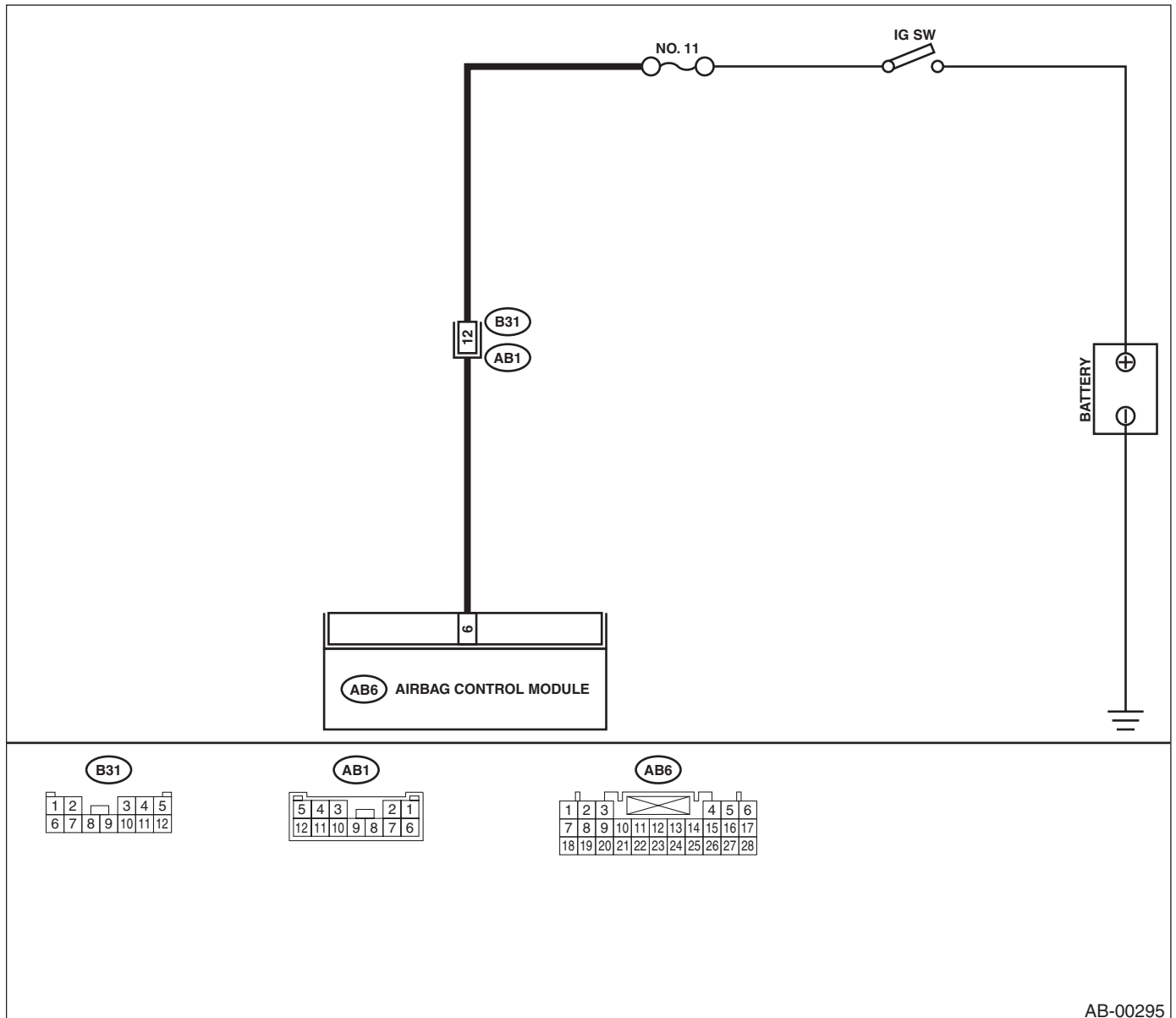
#### DIAGNOSIS:

- Airbag control module is faulty.
- Airbag main harness circuit is open.
- Fuse No, 11 (in joint box) is blown.
- Body harness circuit is open.

#### CAUTION:

- Before diagnosing the airbag system, be sure to turn the ignition switch OFF, disconnect the ground cable from the battery, and wait more than 20 seconds before starting to work.
- Before replacing the airbag module, roll connector, control module, and sensor, reconnect each part and confirm that the warning light operates properly.
- When inspecting the airbag main harness, disconnect the driver's airbag module and passenger's airbag module connectors for safety reasons.

#### WIRING DIAGRAM:



AB-00295

# DIAGNOSTIC CHART WITH DIAGNOSTIC TROUBLE CODE (DTC)

AIRBAG SYSTEM (DIAGNOSTICS)

Step	Check	Yes	No
<b>1 CHECK FUSE No. 11 (IN JOINT BOX).</b> 1) Confirm that the ignition switch is turned OFF. 2) Remove fuse No. 11 (in joint box) and perform visual inspection.	Is fuse No.11 blown?	Replace fuse No. 11. If fuse No. 11 blows again, repair the body harness.	Go to step 2.
<b>2 CHECK AIRBAG CONTROL MODULE.</b> 1) Turn the ignition switch OFF, disconnect the battery ground cable, and wait more than 20 seconds. 2) Disconnect the connector (AB6) from the airbag control module. <Ref. to AB-18, Airbag Control Module.> 3) Connect the connector (11) in test harness I2 to connector (AB6). 4) Connect the battery ground cable and turn the ignition switch ON. 5) Measure the voltage between connector (21) in test harness I2 and chassis ground. <b>Connector &amp; terminal</b> <b>(21) No. 3 (+) — Chassis ground (-):</b>	Is the measured value more than 10 V?	Replace the airbag control module. <Ref. to AB-18, Airbag Control Module.>	Go to step 3.
<b>3 CHECK BODY MAIN HARNESS.</b> 1) While checking control module, turn the ignition switch OFF and disconnect the battery ground cable. Wait more than 20 seconds before operation. 2) Disconnect the airbag connector (AB1) from the body harness (B31). 3) Measure the voltage between the connector (B31) and the chassis ground. <b>Connector &amp; terminal</b> <b>(B31) No. 12 (+) — Chassis ground (-):</b>	Is the measured value more than 10 V?	Replace airbag main harness. <Ref. to AB-16, Main Harness.>	Repair the body harness.

# DIAGNOSTIC CHART WITH DIAGNOSTIC TROUBLE CODE (DTC)

## AIRBAG SYSTEM (DIAGNOSTICS)

### I: DTC 25

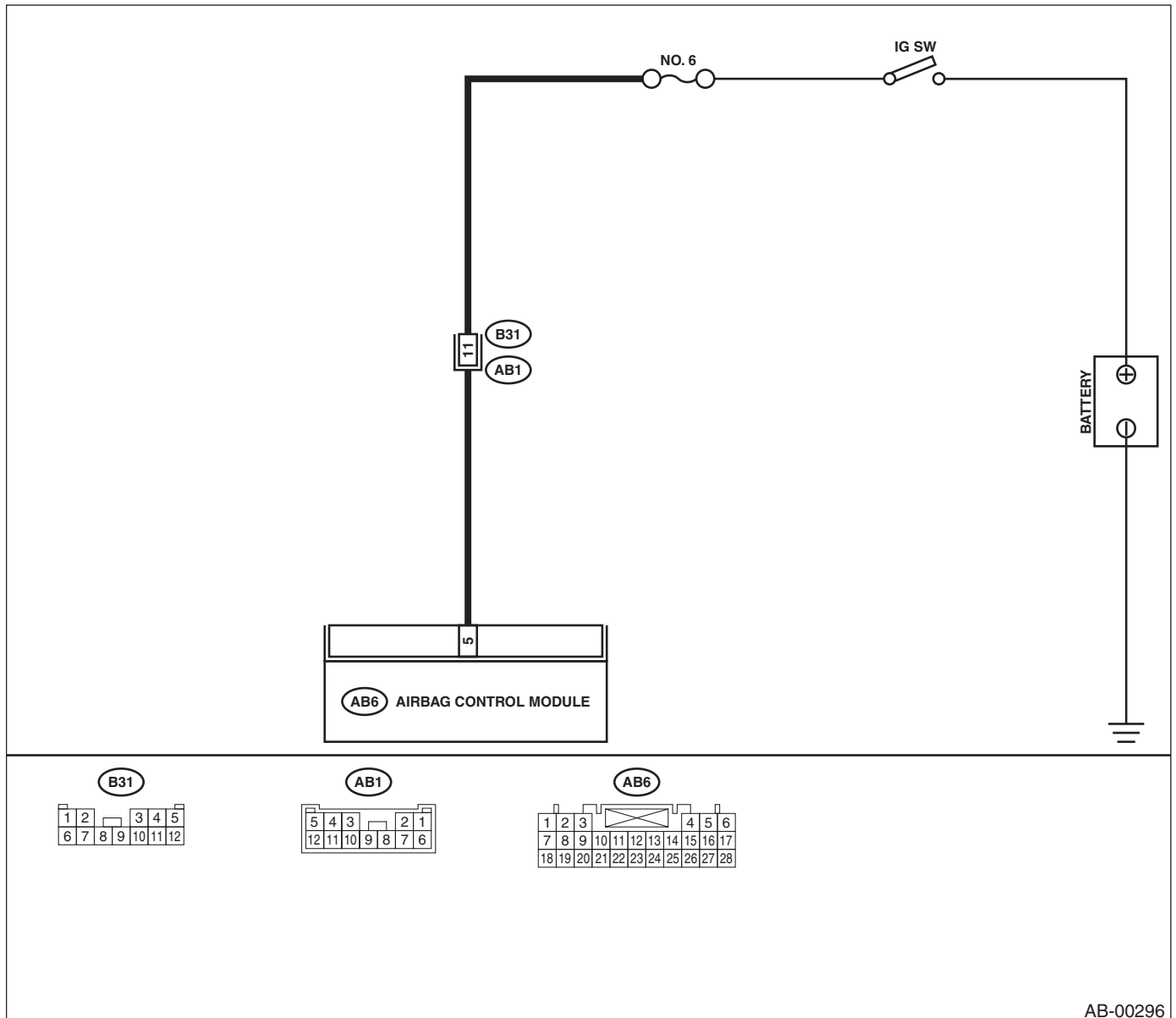
#### DIAGNOSIS:

- Airbag control module is faulty.
- Airbag main harness circuit is open.
- Fuse No. 6 (in joint box) is blown.
- Body harness circuit is open.

#### CAUTION:

- Before diagnosing the airbag system, be sure to turn the ignition switch OFF, disconnect the ground cable from the battery, and wait more than 20 seconds before starting to work.
- Before replacing the airbag module, roll connector, control module, and sensor, reconnect each part and confirm that the warning light operates properly.
- When inspecting the airbag main harness, disconnect the driver's airbag module and passenger's airbag module connectors for safety reasons.

#### WIRING DIAGRAM:



# DIAGNOSTIC CHART WITH DIAGNOSTIC TROUBLE CODE (DTC)

AIRBAG SYSTEM (DIAGNOSTICS)

Step	Check	Yes	No
<b>1 CHECK FUSE NO. 6 (IN JOINT BOX).</b> 1) Confirm that the ignition switch is turned OFF. 2) Remove No. 6 fuse (in joint box) and perform visual inspection.	Is fuse No. 6 blown?	Replace fuse No. 6. If fuse No. 6 is blown again, repair the body harness.	Go to step 2.
<b>2 CHECK AIRBAG CONTROL MODULE.</b> 1) Turn the ignition switch OFF, disconnect the battery ground cable, and wait more than 20 seconds. 2) Disconnect the connector (AB6) from airbag control module. <Ref. to AB-18, Airbag Control Module.> 3) Connect the connector (11) in test harness I2 to connector (AB6). 4) Connect the battery ground cable, and turn the ignition switch ON. 5) Measure the voltage between the connector (21) in test harness I2 and the chassis ground. <b>Connector &amp; terminal</b> <b>(21) No. 6 (+) — Chassis ground (-):</b>	Is the measured value more than 10 V?	Replace the airbag control module. <Ref. to AB-18, Airbag Control Module.>	Go to step 3.
<b>3 CHECK AIRBAG MAIN HARNESS.</b> 1) While checking control module, turn the ignition switch OFF and disconnect the battery ground cable. Wait more than 20 seconds before operation. 2) Disconnect the airbag connector (AB1) from the body harness (B31). 3) Measure the voltage between the connector (B31) and the chassis ground. <b>Connector &amp; terminal</b> <b>(B31) No. 11 (+) — Chassis ground (-):</b>	Is the measured value more than 10 V?	Replace the airbag main harness. <Ref. to AB-16, Main Harness.>	Repair the body harness.

# DIAGNOSTIC CHART WITH DIAGNOSTIC TROUBLE CODE (DTC)

## AIRBAG SYSTEM (DIAGNOSTICS)

### J: DTC 31

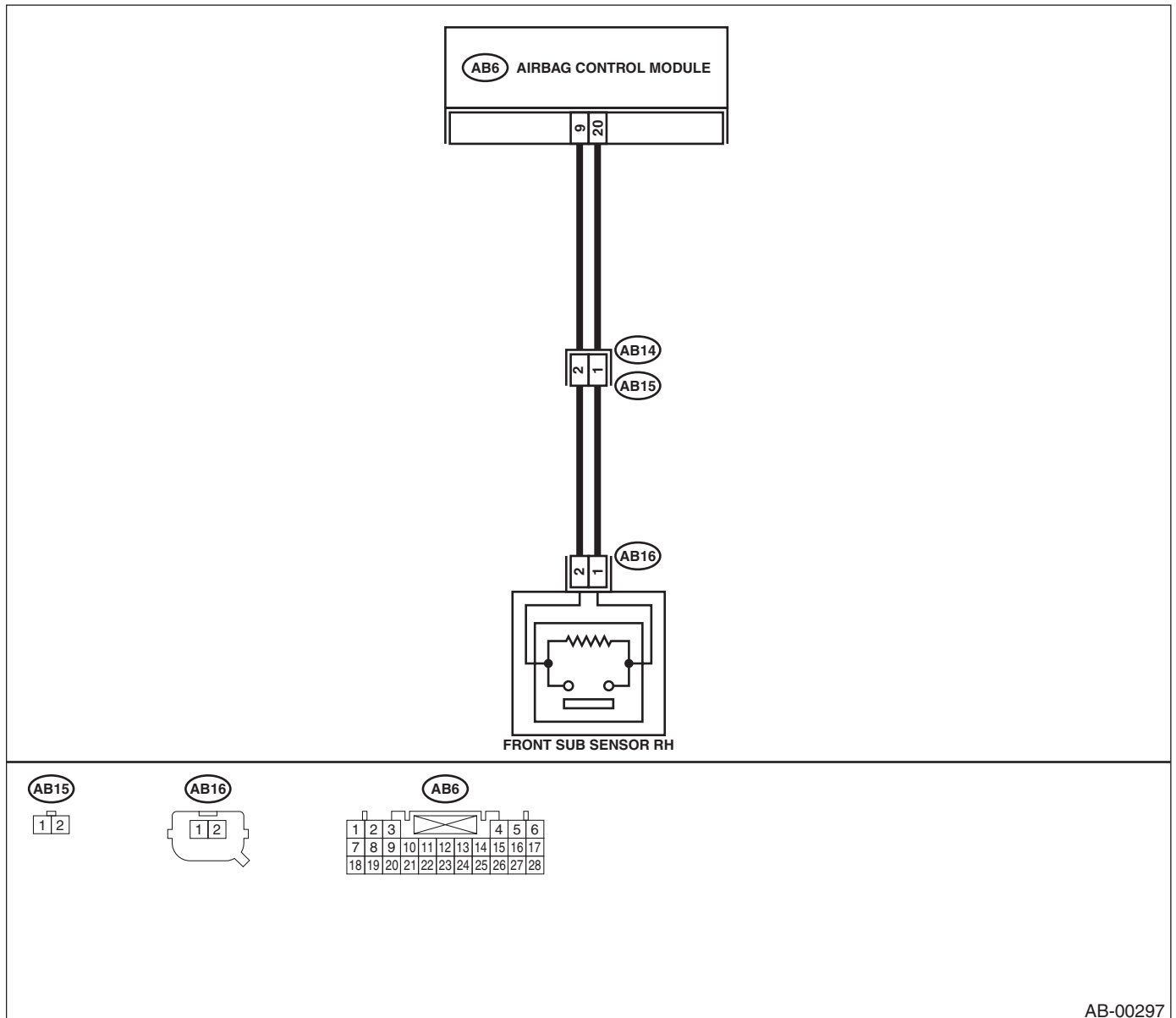
#### DIAGNOSIS:

- Front sub-sensor harness (RH) circuit is shorted.
- Front sub-sensor harness (RH) circuit is open.
- Front sub-sensor (RH) is faulty.
- Airbag control module is faulty.

#### CAUTION:

- Before diagnosing the airbag system, be sure to turn the ignition switch OFF, disconnect the ground cable from the battery, and wait more than 20 seconds before starting to work.
- Before replacing the airbag module, roll connector, control module, and sensor, reconnect each part and confirm that the warning light operates properly.
- When inspecting the airbag main harness, disconnect the driver's airbag module and passenger's airbag module connectors for safety reasons.

#### WIRING DIAGRAM:



AB-00297

# DIAGNOSTIC CHART WITH DIAGNOSTIC TROUBLE CODE (DTC)

AIRBAG SYSTEM (DIAGNOSTICS)

Step	Check	Yes	No
<b>1 CHECK FRONT SUB-SENSOR (RH) AND FRONT SUB-SENSOR HARNESS (RH).</b> 1) Turn the ignition switch OFF, disconnect the battery ground cable, and wait more than 20 seconds. 2) Disconnect the connector (AB6) from the airbag control module, and connect the connector (1I) in test harness I2. <Ref. to AB-18, Airbag Control Module.> 3) Measure the resistance of the connector (3I) in test harness I2. <b>Connector &amp; terminal</b> <b>(3I) No. 2 — No. 4:</b>	Is the measured value within 750 Ω to 1 KΩ?	Go to step 2.	Go to step 3.
<b>2 CHECK FRONT SUB-SENSOR (RH) AND FRONT SUB-SENSOR HARNESS (RH).</b> Measure the resistance between connector (3I) in test harness I2 and the chassis ground. <b>Connector &amp; terminal</b> <b>(3I) No. 2 — Chassis ground:</b> <b>(3I) No. 4 — Chassis ground:</b>	Is the measured value more than 1 MΩ?	Replace the airbag control module. <Ref. to AB-18, Airbag Control Module.>	Go to step 3.
<b>3 CHECK AIRBAG MAIN HARNESS AND FRONT SUB-SENSOR HARNESS (RH).</b> 1) Disconnect connector (AB16) from the front sub-sensor. <Ref. to AB-21, Front Sub Sensor.> 2) Connect connector (IH) in test harness H to connector (AB16). 3) Measure the resistance between connector (3I) in test harness I2 and connector (3H) in test harness H. <b>Connector &amp; terminal</b> <b>(3I) No. 2 — (3H) No. 5:</b> <b>(3I) No. 4 — (3H) No. 6:</b>	Is the measured value less than 10 Ω?	Go to step 4.	Go to step 5.
<b>4 CHECK AIRBAG MAIN HARNESS AND FRONT SUB-SENSOR HARNESS (RH).</b> Measure the resistance between connector (3I) in test harness I2 and the chassis ground. <b>Connector &amp; terminal</b> <b>(3I) No. 2 — Chassis ground:</b> <b>(3I) No. 4 — Chassis ground:</b>	Is the measured value more than 1 MΩ?	Go to step 9.	Go to step 5.
<b>5 CHECK AIRBAG MAIN HARNESS</b> 1) Remove the instrument panel. <Ref. to EI-46, Instrument Panel Assembly.> 2) Disconnect connector (AB15) from (AB14), and connect connector (2F) in test harness F to connector (AB14). 3) Measure the resistance between connector (3I) in test harness I2 and connector (3F) in test harness F. <b>Connector &amp; terminal</b> <b>(3I) No. 2 — (3F) No. 6:</b> <b>(3I) No. 4 — (3F) No. 5:</b>	Is the measured value less than 10 Ω?	Go to step 6.	Replace airbag main harness. <Ref. to AB-16, Main Harness.>
<b>6 CHECK AIRBAG MAIN HARNESS</b> Measure the resistance between connector (3I) in test harness I2 and the chassis ground. <b>Connector &amp; terminal</b> <b>(3I) No. 2 — Chassis ground:</b> <b>(3I) No. 4 — Chassis ground:</b>	Is the measured value more than 1 MΩ?	Go to step 7.	Replace airbag main harness. <Ref. to AB-16, Main Harness.>

# DIAGNOSTIC CHART WITH DIAGNOSTIC TROUBLE CODE (DTC)

## AIRBAG SYSTEM (DIAGNOSTICS)

Step	Check	Yes	No
<b>7</b> <b>CHECK FRONT SUB-SENSOR HARNESS (RH).</b> 1) Connect connector (1F) in test harness F to the connector (AB15). 2) Measure the resistance between connector (3H) in test harness H and connector (3F) in the test harness F. <b>Connector &amp; terminal</b> <b>(3F) No. 3 — (3H) No. 5:</b> <b>(3F) No. 4 — (3H) No. 6:</b>	Is the measured value less than 10 Ω?	Go to step <b>8</b> .	Replace the front sub-sensor harness (RH) <Ref. to AB-22, Front Sub Sensor Harness.>
<b>8</b> <b>CHECK FRONT SUB-SENSOR HARNESS (RH).</b> Measure the resistance between connector (3F) in test harness F and the chassis ground. <b>Connector &amp; terminal</b> <b>(3F) No. 3 — Chassis ground:</b> <b>(3F) No. 4 — Chassis ground:</b>	Is the measured value more than 1 MΩ?	Go to step <b>9</b> .	Replace the front sub-sensor harness (RH) <Ref. to AB-22, Front Sub Sensor Harness.>
<b>9</b> <b>CHECK FRONT SUB-SENSOR (RH).</b> 1) Connect connector (2H) in test harness H to front sub-sensor (RH). 2) Measure the resistance of the connector (3H) in test harness H. <b>Connector &amp; terminal</b> <b>(3H) No. 3 — No. 4:</b>	Is the measured value within 750 Ω to 1 KΩ?	Go to step <b>10</b> .	Replace the front sub-sensor (RH) <Ref. to AB-21, Front Sub Sensor.>
<b>10</b> <b>CHECK FRONT SUB-SENSOR (RH).</b> Measure the resistance between connector (3H) in test harness H and the chassis ground. <b>Connector &amp; terminal</b> <b>(3H) No. 3 — Chassis ground:</b> <b>(3H) No. 4 — Chassis ground:</b>	Is the measured value more than 1 MΩ?	Finish the diagnosis.	Replace the front sub-sensor (RH) <Ref. to AB-21, Front Sub Sensor.>



# DIAGNOSTIC CHART WITH DIAGNOSTIC TROUBLE CODE (DTC)

AIRBAG SYSTEM (DIAGNOSTICS)

---

MEMO:

# DIAGNOSTIC CHART WITH DIAGNOSTIC TROUBLE CODE (DTC)

## AIRBAG SYSTEM (DIAGNOSTICS)

### K: DTC 32

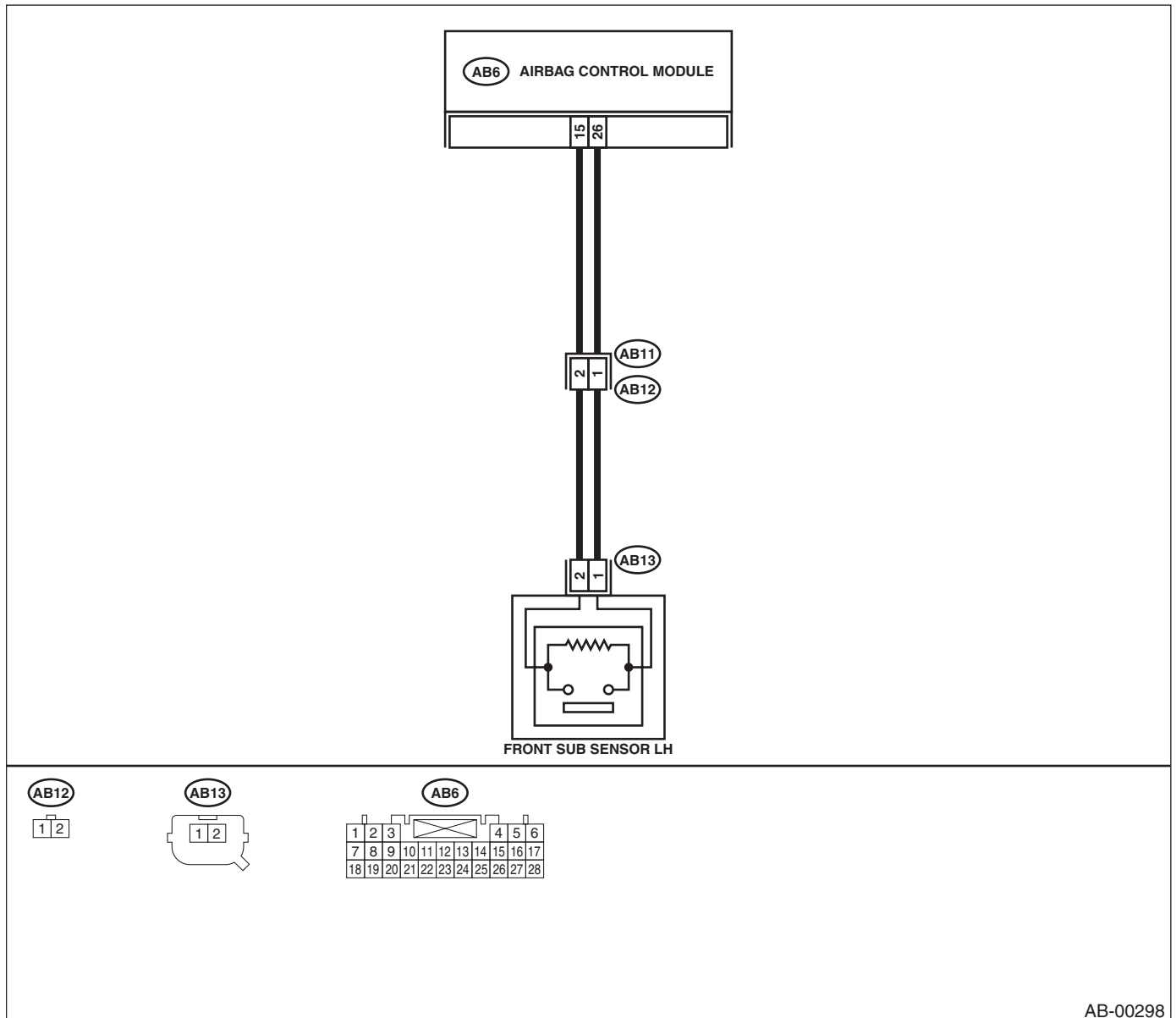
#### DIAGNOSIS:

- Front sub-sensor harness (LH) circuit is shorted.
- Front sub-sensor harness (LH) circuit is open.
- Front sub-sensor (LH) is faulty.
- Airbag control module is faulty.

#### CAUTION:

- Before diagnosing the airbag system, be sure to turn the ignition switch OFF, disconnect the ground cable from the battery, and wait more than 20 seconds before starting to work.
- Before replacing the airbag module, roll connector, control module, and sensor, reconnect each part and confirm that the warning light operates properly.
- When inspecting the airbag main harness, disconnect the driver's airbag module and passenger's airbag module connectors for safety reasons.

#### WIRING DIAGRAM:



AB-00298

# DIAGNOSTIC CHART WITH DIAGNOSTIC TROUBLE CODE (DTC)

AIRBAG SYSTEM (DIAGNOSTICS)

Step	Check	Yes	No
<b>1 CHECK FRONT SUB-SENSOR (LH) AND FRONT SUB-SENSOR HARNESS (RH).</b> 1) Turn the ignition switch OFF, disconnect the battery ground cable, and wait more than 20 seconds. 2) Disconnect connector (AB6) from the airbag control module, and connect connector (1I) in the test harness I2 to connector (AB6). <Ref. to AB-18, Airbag Control Module.> 3) Measure the resistance of the connector (3I) in the test harness I2. <b>Connector &amp; terminal</b> <b>(3I) No. 1 — No. 3:</b>	Is the measured value within 750 $\Omega$ to 1 K $\Omega$ ?	Go to step 2.	Go to step 3.
<b>2 CHECK FRONT SUB-SENSOR (LH) AND FRONT SUB-SENSOR HARNESS (RH).</b> Measure the resistance between connector (3I) in test harness I2 and the chassis ground. <b>Connector &amp; terminal</b> <b>(3I) No. 1 — Chassis ground:</b> <b>(3I) No. 3 — Chassis ground:</b>	Is the measured value more than 1 M $\Omega$ ?	Replace the airbag control module. <Ref. to AB-18, Airbag Control Module.>	Go to step 3.
<b>3 CHECK AIRBAG MAIN HARNESS AND FRONT SUB-SENSOR HARNESS (LH).</b> 1) Disconnect the connector (AB13) from the front sub-sensor. <Ref. to AB-21, Front Sub Sensor.> 2) Connect connector (1H) in test harness H to connector (AB13). 3) Measure the resistance between connector (3I) in test harness I2 and connector (3H) in test harness H. <b>Connector &amp; terminal</b> <b>(3I) No. 3 — (3H) No. 5:</b> <b>(3I) No. 1 — (3H) No. 6:</b>	Is the measured value less than 10 $\Omega$ ?	Go to step 4.	Go to step 5.
<b>4 CHECK AIRBAG MAIN HARNESS AND FRONT SUB-SENSOR HARNESS (LH).</b> Measure the resistance between connector (3I) in test harness I2 and the chassis ground. <b>Connector &amp; terminal</b> <b>(3I) No. 3 — Chassis ground:</b> <b>(3I) No. 1 — Chassis ground:</b>	Is the measured value more than 1 M $\Omega$ ?	Go to step 9.	Go to step 5.
<b>5 CHECK AIRBAG MAIN HARNESS.</b> 1) Remove the instrument panel. <Ref. to EI-46, Instrument Panel Assembly.> 2) Disconnect connector (AB11) from (AB12), and connect connector (2F) in test harness F to (AB11). 3) Measure the resistance between connector (3I) in test harness I2 and connector (3F) in test harness F. <b>Connector &amp; terminal</b> <b>(3I) No. 3 — (3F) No. 6:</b> <b>(3I) No. 1 — (3F) No. 5:</b>	Is the measured value less than 10 $\Omega$ ?	Go to step 6.	Replace the airbag main harness. <Ref. to AB-16, Main Harness.>
<b>6 CHECK AIRBAG MAIN HARNESS.</b> Measure the resistance between connector (3I) in the test harness I2 and the chassis ground. <b>Connector &amp; terminal</b> <b>(3I) No. 3 — Chassis ground:</b> <b>(3I) No. 1 — Chassis ground:</b>	Is the measured value more than 1 M $\Omega$ ?	Go to step 7.	Replace the airbag main harness. <Ref. to AB-16, Main Harness.>

# DIAGNOSTIC CHART WITH DIAGNOSTIC TROUBLE CODE (DTC)

## AIRBAG SYSTEM (DIAGNOSTICS)

Step	Check	Yes	No
<b>7</b> <b>CHECK FRONT SUB-SENSOR HARNESS (LH).</b> 1) Connect connector (1F) in test harness F to connector (AB12). 2) Measure the resistance between connector (3H) in test harness H and connector (3F) in test harness F. <b>Connector &amp; terminal</b> <b>(3F) No. 3 — (3H) No. 5:</b> <b>(3F) No. 4 — (3H) No. 6:</b>	Is the measured value less than 10 Ω?	Go to step <b>8</b> .	Replace the front sub-sensor harness (LH). <Ref. to AB-16, Main Harness.>
<b>8</b> <b>CHECK FRONT SUB-SENSOR HARNESS (LH).</b> Measure the resistance between connector (3F) in test harness F and the chassis ground. <b>Connector &amp; terminal</b> <b>(3F) No. 3 — Chassis ground:</b> <b>(3F) No. 4 — Chassis ground:</b>	Is the measured value more than 1 MΩ?	Go to step <b>9</b> .	Replace the front sub-sensor harness (LH). <Ref. to AB-16, Main Harness.>
<b>9</b> <b>CHECK FRONT SUB-SENSOR (LH).</b> 1) Connect connector (2H) in test harness H to front sub-sensor (LH). 2) Measure the resistance of the connector (3H) in test harness H. <b>Connector &amp; terminal</b> <b>(3H) No. 3 — No. 4:</b>	Is the measured value within 750 Ω to 1 KΩ?	Go to step <b>10</b> .	Replace the front sub-sensor (LH). <Ref. to AB-21, Front Sub Sensor.>
<b>10</b> <b>CHECK FRONT SUB-SENSOR (LH).</b> Measure the resistance between connector (3H) in test harness H and the chassis ground. <b>Connector &amp; terminal</b> <b>(3H) No. 3 — Chassis ground:</b> <b>(3H) No. 4 — Chassis ground:</b>	Is the measured value more than 1 MΩ?	Finish the diagnosis.	Replace the front sub-sensor (LH). <Ref. to AB-21, Front Sub Sensor.>

# DIAGNOSTIC CHART WITH DIAGNOSTIC TROUBLE CODE (DTC)

AIRBAG SYSTEM (DIAGNOSTICS)

---

MEMO:

# DIAGNOSTIC CHART WITH DIAGNOSTIC TROUBLE CODE (DTC)

## AIRBAG SYSTEM (DIAGNOSTICS)

### L: DTC 41

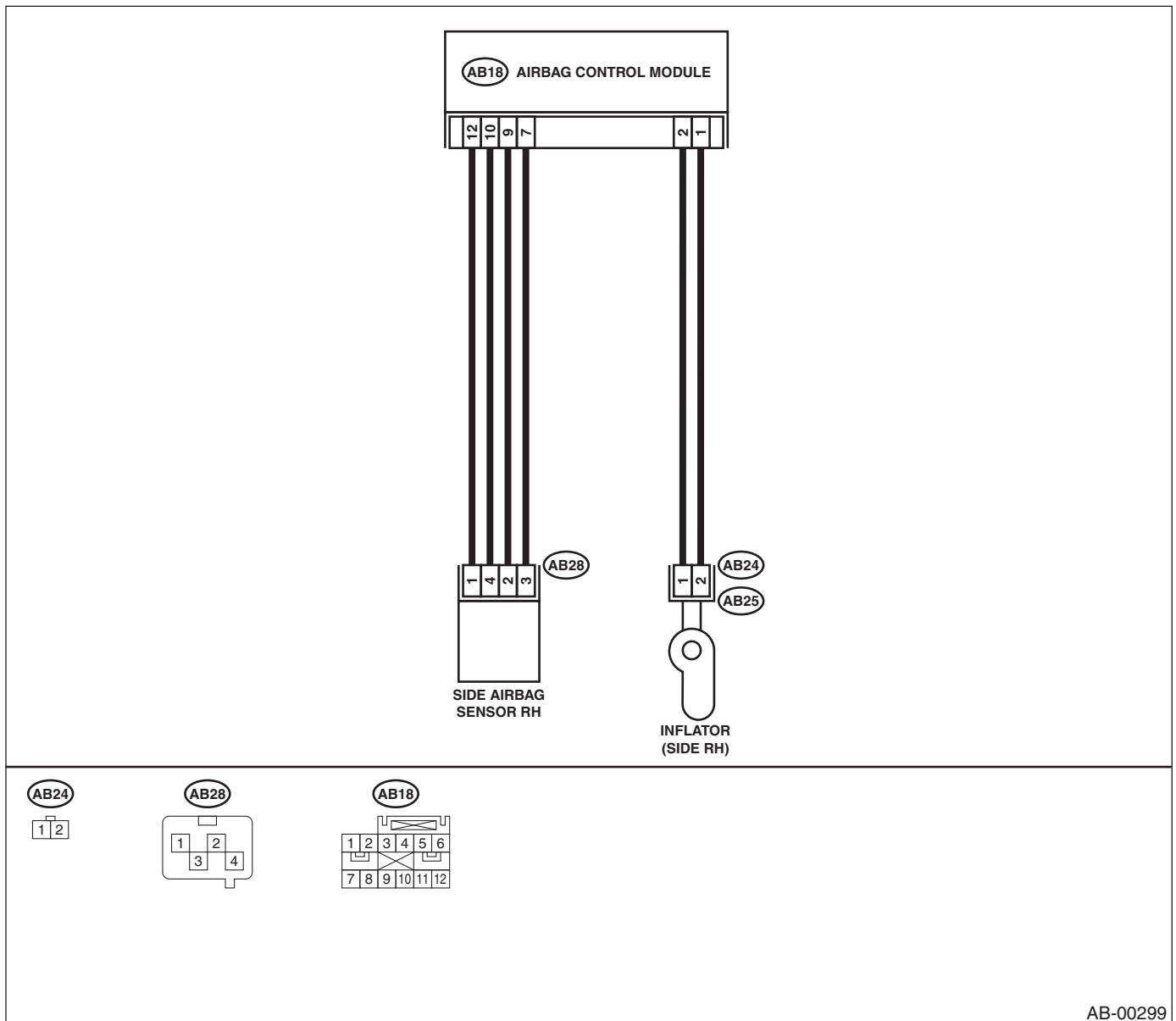
#### DIAGNOSIS:

- Side airbag harness (RH) is faulty.
- Side airbag module (RH) is faulty.
- Airbag control module is faulty.

#### CAUTION:

- Before diagnosing the airbag system, be sure to turn the ignition switch OFF, disconnect the ground cable from the battery, and wait more than 20 seconds before starting to work.
- Before replacing the airbag module, roll connector, control module, and sensor, reconnect each part and confirm that the warning light operates properly.
- When inspecting the airbag main harness, disconnect the driver's airbag module and passenger's airbag module connectors for safety reasons.
- When inspecting the side airbag harness, disconnect the side airbag module connector and seat belt pretensioner connector for the safety reasons.

#### WIRING DIAGRAM:



AB-00299

# DIAGNOSTIC CHART WITH DIAGNOSTIC TROUBLE CODE (DTC)

AIRBAG SYSTEM (DIAGNOSTICS)

Step	Check	Yes	No
<b>1 CHECK SIDE AIRBAG MODULE.</b> 1) Turn the ignition switch OFF, disconnect the battery ground cable, and wait more than 20 seconds. 2) Disconnect the connector (AB26) from the seat belt pretensioner (RH). <Ref. to SB-8, Front Seat Belt.> 3) Disconnect connector (AB25) from (AB24), and connect connector (1F) in test harness F to (AB24). 4) Connect air bag resistor to connector (3F) in test harness F. 5) Connect the battery ground cable, and turn the ignition switch ON.	Does the airbag warning light operate properly?	Replace side airbag module (RH). <Ref. to AB-15, REMOVAL, Side Airbag Module.>	Go to step 2.
<b>2 CHECK SIDE AIRBAG HARNESS (RH).</b> 1) Turn the ignition switch OFF, disconnect the battery ground cable, and wait more than 20 seconds. 2) Disconnect airbag resistor from test harness. 3) Disconnect the connector (AB18) from air bag control module. <Ref. to AB-18, Airbag Control Module.> 4) Connect connector (1I) in test harness I2 to connector (AB18). 5) Measure the resistance between connector (3I) in test harness I2 and connector (3F) in test harness F. <b>Connector &amp; terminal</b> <i>(3I) No. 7 — (3F) No. 4:</i> <i>(3I) No. 9 — (3F) No. 3:</i>	Is the measured value less than 10 Ω?	Go to step 3.	Replace side airbag harness. <Ref. to AB-17, Side Airbag Harness.>
<b>3 CHECK SIDE AIRBAG HARNESS (RH).</b> Measure the resistance of the connector (3F) in test harness F. <b>Connector &amp; terminal</b> <i>(3F) No. 3 — No. 4:</i>	Is the measured value more than 1 MΩ?	Go to step 4.	Replace side airbag harness. <Ref. to AB-17, Side Airbag Harness.>
<b>4 CHECK SIDE AIRBAG HARNESS (RH).</b> Measure the resistance between connector (3F) in test harness F and the chassis ground. <b>Connector &amp; terminal</b> <i>(3F) No. 3 — Chassis ground:</i> <i>(3F) No. 4 — Chassis ground:</i>	Is the measured value more than 1 MΩ?	Replace the airbag control module. <Ref. to AB-18, Airbag Control Module.>	Replace side airbag harness. <Ref. to AB-17, Side Airbag Harness.>

# DIAGNOSTIC CHART WITH DIAGNOSTIC TROUBLE CODE (DTC)

## AIRBAG SYSTEM (DIAGNOSTICS)

### M: DTC 42

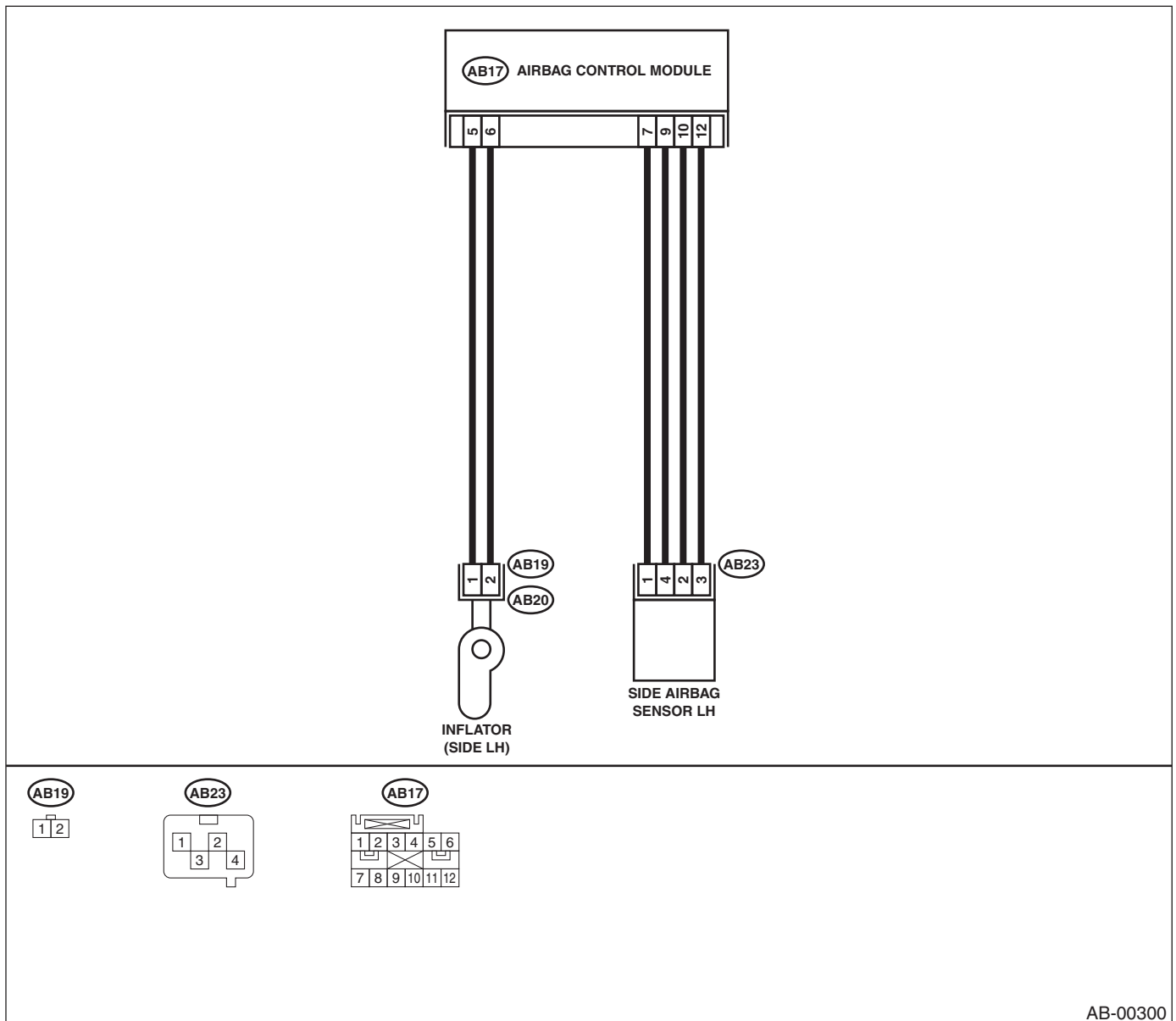
#### DIAGNOSIS:

- Side airbag harness (LH) is faulty.
- Side airbag module (LH) is faulty.
- Airbag control module is faulty.

#### CAUTION:

- Before diagnosing the airbag system, be sure to turn the ignition switch OFF, disconnect the ground cable from the battery, and wait more than 20 seconds before starting to work.
- Before replacing the airbag module, roll connector, control module, and sensor, reconnect each part and confirm that the warning light operates properly.
- When inspecting the airbag main harness, disconnect the driver's airbag module and passenger's airbag module connectors for safety reasons.
- When inspecting the side airbag harness, disconnect the side airbag module connector and seat belt pretensioner connector for the safety reasons.

#### WIRING DIAGRAM:



AB-00300



# DIAGNOSTIC CHART WITH DIAGNOSTIC TROUBLE CODE (DTC)

AIRBAG SYSTEM (DIAGNOSTICS)

Step	Check	Yes	No
<b>1 CHECK SIDE AIRBAG MODULE.</b> 1) Turn the ignition switch OFF, disconnect the battery ground cable, and wait more than 20 seconds. 2) Disconnect the connector (AB21) from the seat belt pretensioner (LH). <Ref. to SB-8, Front Seat Belt.> 3) Disconnect connector (AB20) from (AB19), and connect connector (1F) in test harness F to (AB19). 4) Connect airbag resistor to connector (3F) in test harness F. 5) Connect the battery ground cable, and turn the ignition switch ON.	Does the air bag warning light operate properly?	Replace side air-bag module (LH). <Ref. to AB-15, REMOVAL, Side Airbag Module.>	Go to step 2.
<b>2 CHECK SIDE AIRBAG HARNESS (LH).</b> 1) Turn ignition switch OFF, disconnect the battery ground cable, and wait more than 20 seconds. 2) Disconnect airbag resistor from the test harness. 3) Disconnect the connector (AB17) from the airbag control module. <Ref. to AB-18, Airbag Control Module.> 4) Connect connector (1I) in test harness I2 to connector (AB17). 5) Measure the resistance between connector (3I) in test harness I2 and connector (3F) in test harness F. <b>Connector &amp; terminal</b> <i>(3I) No. 10 — (3F) No. 3:</i> <i>(3I) No. 12 — (3F) No. 4:</i>	Is the measured value less than 10 Ω?	Go to step 3.	Replace side air-bag harness. <Ref. to AB-17, Side Airbag Harness.>
<b>3 CHECK SIDE AIRBAG HARNESS (LH).</b> Measure the resistance of the connector (3F) in test harness F. <b>Connector &amp; terminal</b> <i>(3F) No. 3 — No. 4:</i>	Is the measured value more than 1 MΩ?	Go to step 4.	Replace side air-bag harness. <Ref. to AB-17, Side Airbag Harness.>
<b>4 CHECK SIDE AIRBAG HARNESS (LH).</b> Measure the resistance between connector (3F) in test harness F and the chassis ground. <b>Connector &amp; terminal</b> <i>(3F) No. 3 — Chassis ground:</i> <i>(3F) No. 4 — Chassis ground:</i>	Is the measured value more than 1 MΩ?	Replace the airbag control module. <Ref. to AB-18, Airbag Control Module.>	Replace side air-bag harness. <Ref. to AB-17, Side Airbag Harness.>

# DIAGNOSTIC CHART WITH DIAGNOSTIC TROUBLE CODE (DTC)

## AIRBAG SYSTEM (DIAGNOSTICS)

### N: DTC 45

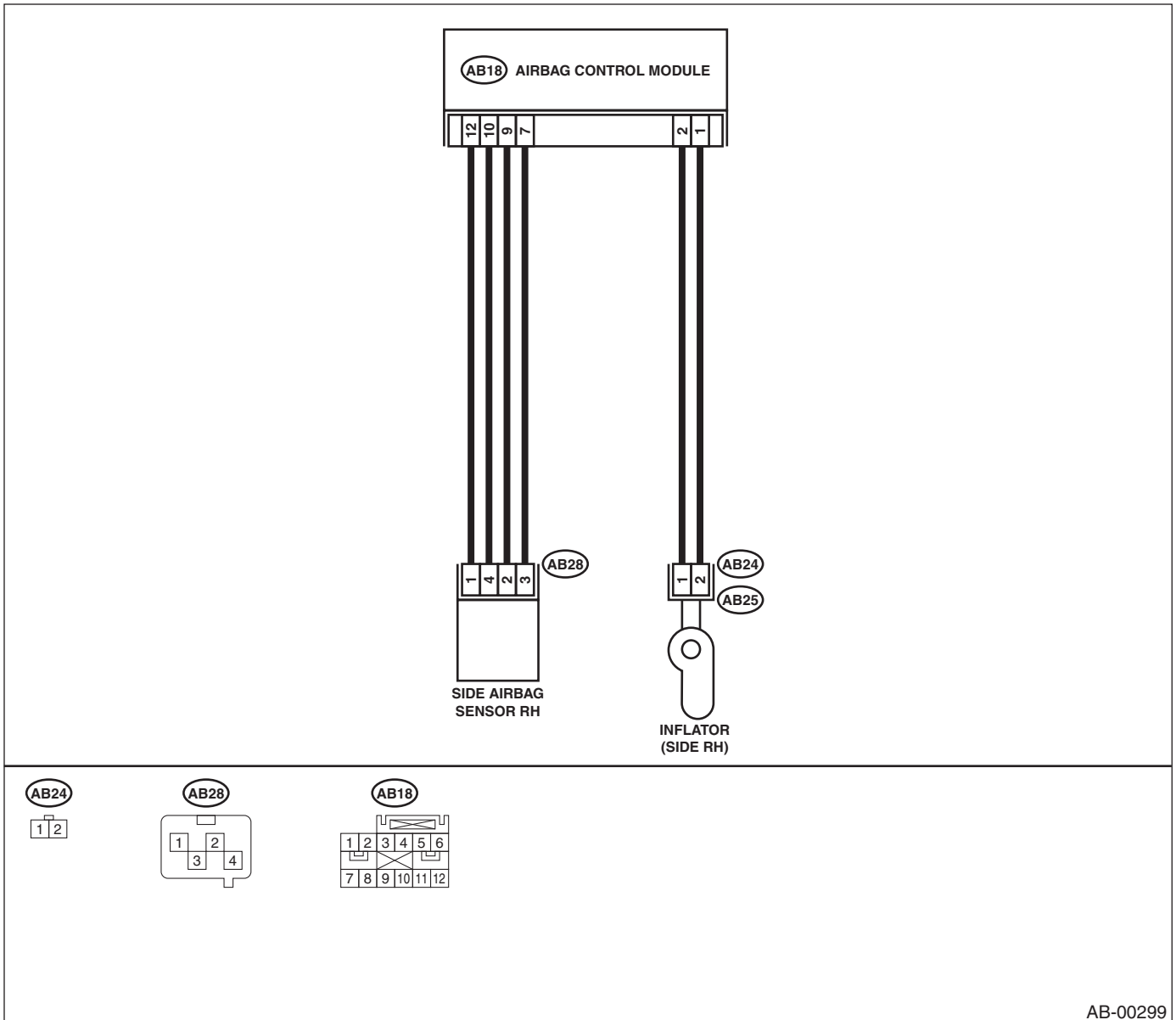
#### DIAGNOSIS:

- Side airbag harness (RH) is shorted to power supply.
- Airbag control module is faulty.

#### CAUTION:

- Before diagnosing the airbag system, be sure to turn the ignition switch OFF, disconnect the ground cable from the battery, and wait more than 20 seconds before starting to work.
- Before replacing the airbag module, roll connector, control module, and sensor, reconnect each part and confirm that the warning light operates properly.
- When inspecting the airbag main harness, disconnect the driver's airbag module and passenger's airbag module connectors for safety reasons.
- When inspecting the side airbag harness, disconnect the side airbag module connector and seat belt pretensioner connector for the safety reasons.

#### WIRING DIAGRAM:



AB-00299

# DIAGNOSTIC CHART WITH DIAGNOSTIC TROUBLE CODE (DTC)

AIRBAG SYSTEM (DIAGNOSTICS)

Step	Check	Yes	No
<p><b>1</b>    <b>CHECK SIDE AIRBAG MODULE.</b></p> <ol style="list-style-type: none"> <li>1) Turn the ignition switch OFF, disconnect the battery ground cable, and wait more than 20 seconds.</li> <li>2) Disconnect the connector (AB26) from the seat belt pretensioner (RH). &lt;Ref. to SE-8, Front Seat.&gt;</li> <li>3) Disconnect the connector (AB25) from (AB24), and connect connector (1F) in test harness F to (AB24).</li> <li>4) Connect airbag resistor to connector (3F) in test harness F.</li> <li>5) Connect the battery ground cable, and turn the ignition switch ON.</li> </ol>	<p>Does air bag warning light operate properly?</p>	<p>Replace side air-bag module (RH). &lt;Ref. to AB-15, REMOVAL, Side Airbag Module.&gt;</p>	<p>Go to step 2.</p>
<p><b>2</b>    <b>CHECK SIDE AIRBAG HARNESS (RH).</b></p> <ol style="list-style-type: none"> <li>1) Turn the ignition switch OFF, disconnect the battery ground cable, and wait more than 20 seconds.</li> <li>2) Disconnect airbag resistor from the test harness.</li> <li>3) Disconnect the connector (AB18) from the airbag control module. &lt;Ref. to AB-18, Airbag Control Module.&gt;</li> <li>4) Connect connector (1I) in test harness I2 to connector (AB18).</li> <li>5) Connect the battery ground cable, and turn the ignition switch ON.</li> <li>6) Measure the voltage between connector (3I) in test harness I2 and the chassis ground.</li> </ol> <p><b>Connector &amp; terminal</b></p> <p><b>(3I) No. 7 (+) — Chassis ground (-):</b></p> <p><b>(3I) No. 9 (+) — Chassis ground (-):</b></p>	<p>Is the measured value less than 1 V?</p>	<p>Replace the airbag control module. &lt;Ref. to AB-18, Airbag Control Module.&gt;</p>	<p>Replace side air-bag harness. &lt;Ref. to AB-17, Side Airbag Harness.&gt;</p>

# DIAGNOSTIC CHART WITH DIAGNOSTIC TROUBLE CODE (DTC)

## AIRBAG SYSTEM (DIAGNOSTICS)

### O: DTC 46

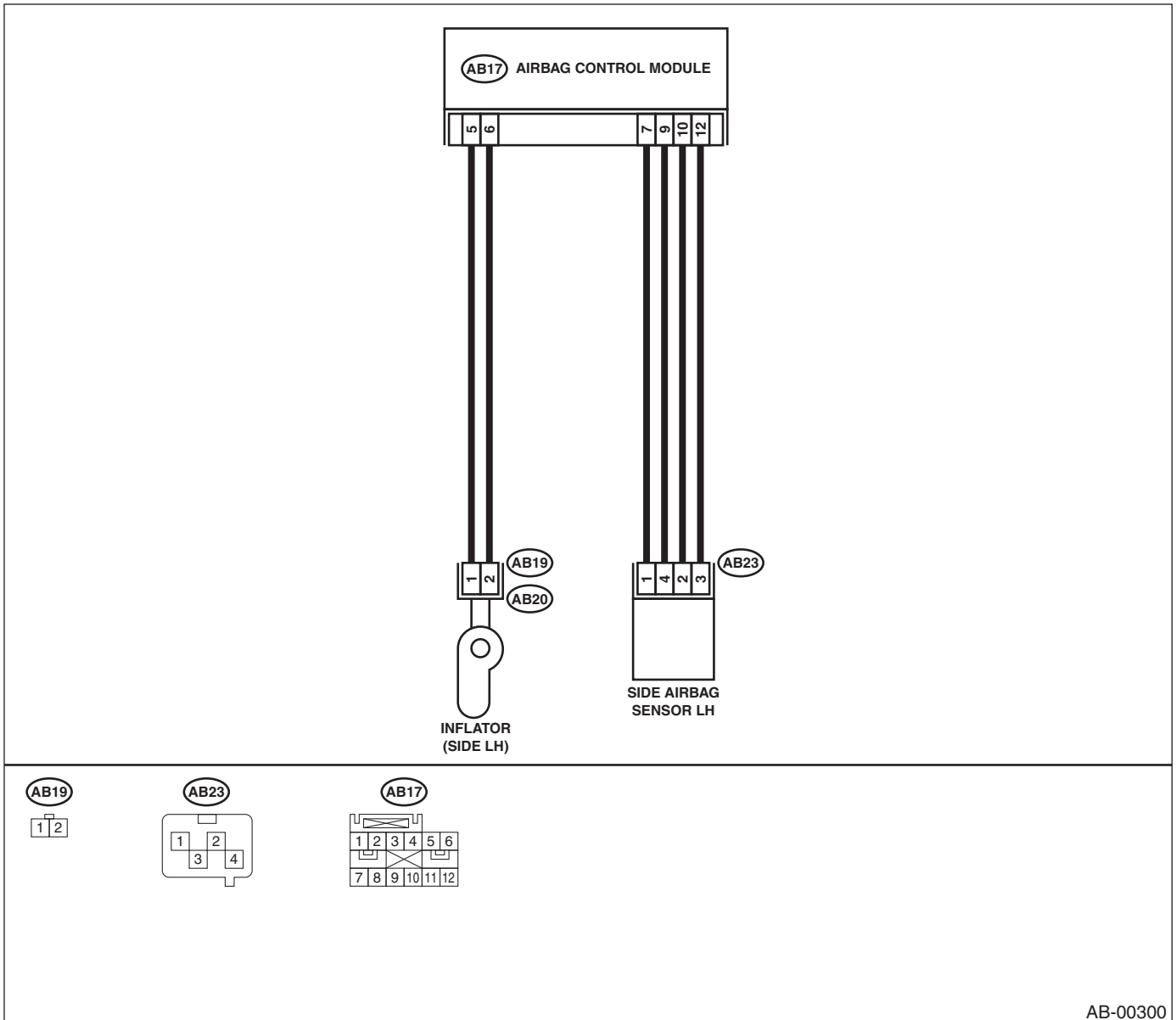
#### DIAGNOSIS:

- Side airbag harness (LH) is shorted to power supply.
- Airbag control module is faulty.

#### CAUTION:

- Before diagnosing the airbag system, be sure to turn the ignition switch OFF, disconnect the ground cable from the battery, and wait more than 20 seconds before starting to work.
- Before replacing the airbag module, roll connector, control module, and sensor, reconnect each part and confirm that the warning light operates properly.
- When inspecting the airbag main harness, disconnect the driver's airbag module and passenger's airbag module connectors for safety reasons.
- When inspecting the side airbag harness, disconnect the side airbag module connector and seat belt pretensioner connector for the safety reasons.

#### WIRING DIAGRAM:



AB-00300

# DIAGNOSTIC CHART WITH DIAGNOSTIC TROUBLE CODE (DTC)

AIRBAG SYSTEM (DIAGNOSTICS)

Step	Check	Yes	No
<b>1</b> <b>CHECK SIDE AIRBAG MODULE.</b> 1) Turn the ignition switch OFF, disconnect the battery ground cable, and wait more than 20 seconds. 2) Disconnect connector (AB21) from the seat belt pretensioner (LH). <Ref. to SE-8, Front Seat.> 3) Disconnect connector (AB20) from (AB19), and connect connector (1F) in test harness F to (AB19). 4) Connect airbag resistor to connector (3F) in test harness F. 5) Connect the battery ground cable and turn the ignition switch ON.	Does air bag warning light operate properly?	Replace side airbag module (LH). <Ref. to AB-15, REMOVAL, Side Airbag Module.>	Go to step 2.
<b>2</b> <b>CHECK SIDE AIRBAG HARNESS (LH).</b> 1) Turn the ignition switch OFF, disconnect the battery ground cable, and wait more than 20 seconds. 2) Disconnect airbag resistor from the test harness. 3) Disconnect the connector (AB17) from the airbag control module. <Ref. to AB-18, Airbag Control Module.> 4) Connect connector (1I) in test harness I2 to connector (AB17). 5) Connect the battery ground cable, and turn the ignition switch ON. 6) Measure the voltage between connector (3I) in test harness I2 and the chassis ground. <b>Connector &amp; terminal</b> (3I) No. 10 (+) — Chassis ground (-): (3I) No. 12 (+) — Chassis ground (-):	Is the measured value less than 1 V?	Replace the airbag control module. <Ref. to AB-18, Airbag Control Module.>	Replace side airbag harness. <Ref. to AB-17, Side Airbag Harness.>

# DIAGNOSTIC CHART WITH DIAGNOSTIC TROUBLE CODE (DTC)

## AIRBAG SYSTEM (DIAGNOSTICS)

### P: DTC 51

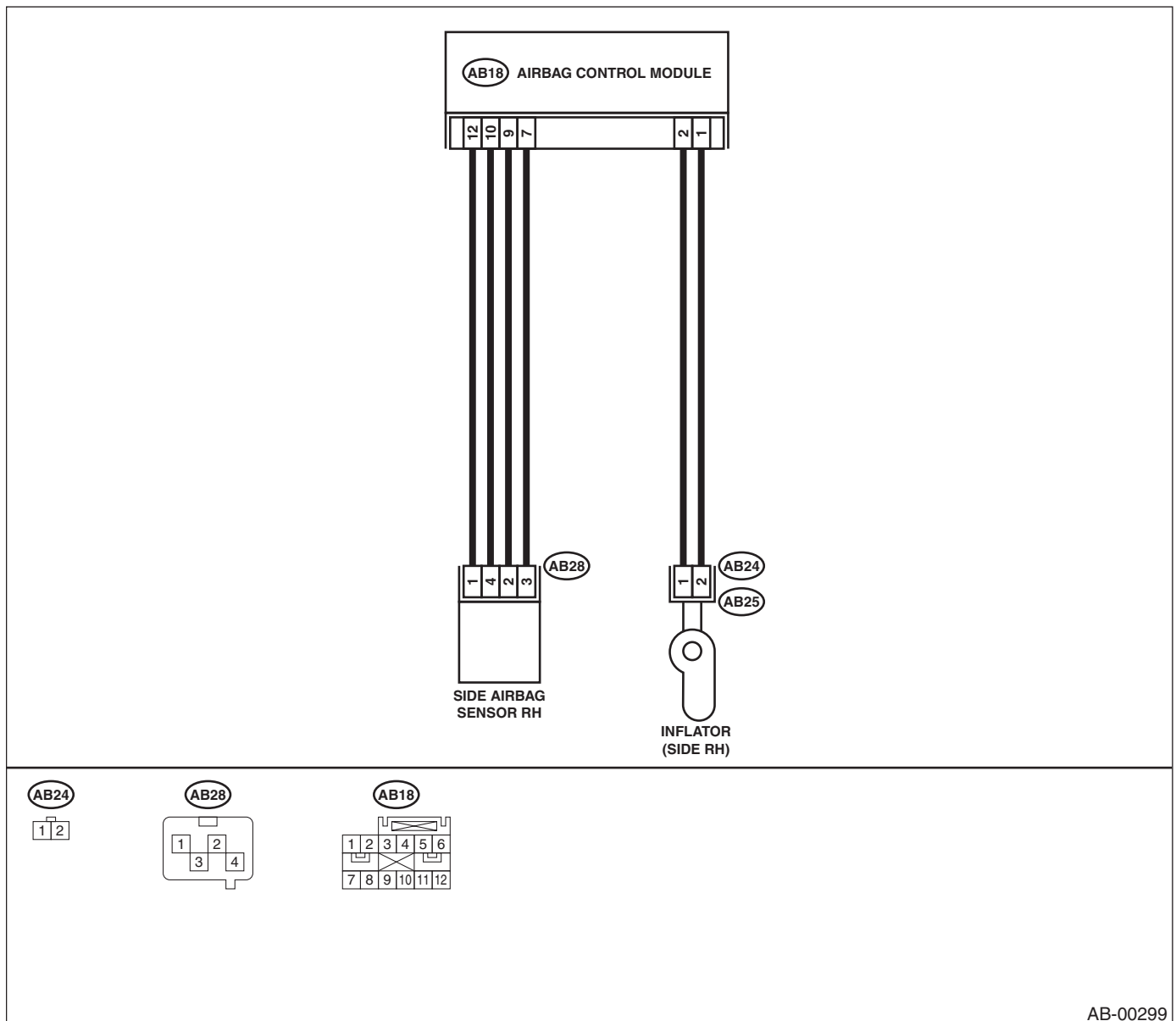
#### DIAGNOSIS:

- Side airbag sensor (RH) is faulty.
- Side airbag harness (RH) is faulty.
- Airbag control module is faulty.

#### CAUTION:

- Before diagnosing the airbag system, be sure to turn the ignition switch OFF, disconnect the ground cable from the battery, and wait more than 20 seconds before starting to work.
- Before replacing the airbag module, roll connector, control module, and sensor, reconnect each part and confirm that the warning light operates properly.
- When inspecting the airbag main harness, disconnect the driver's airbag module and passenger's airbag module connectors for safety reasons.
- When inspecting the side airbag harness, disconnect the side airbag module connector and seat belt pretensioner connector for the safety reasons.

#### WIRING DIAGRAM:



AB-00299

# DIAGNOSTIC CHART WITH DIAGNOSTIC TROUBLE CODE (DTC)

AIRBAG SYSTEM (DIAGNOSTICS)

Step	Check	Yes	No
<p><b>1</b></p> <p><b>CHECK SIDE AIRBAG HARNESS (RH).</b></p> <ol style="list-style-type: none"> <li>1) Turn the ignition switch OFF, disconnect the battery ground cable, and wait more than 20 seconds.</li> <li>2) Disconnect connector (AB26) from the seat belt pretensioner (RH). &lt;Ref. to SB-8, Front Seat Belt.&gt;</li> <li>3) Disconnect connector (AB25) from (AB24).</li> <li>4) Disconnect connector (AB18) from the airbag control module. &lt;Ref. to AB-18, Airbag Control Module.&gt;</li> <li>5) Connect connector (1I) in test harness I2 to the connector (AB18).</li> <li>6) Disconnect connector (AB28) from the side airbag sensor (RH), and connect connector (1G) in test harness G to connector (AB28).</li> <li>7) Measure the resistance between connector (3I) in test harness I2 and connector (3G) in test harness G.</li> </ol> <p><b>Connector &amp; terminal</b></p> <p><b>(3I) No. 17 — (3G) No. 2:</b></p> <p><b>(3I) No. 18 — (3G) No. 4:</b></p> <p><b>(3I) No. 19 — (3G) No. 1:</b></p> <p><b>(3I) No. 20 — (3G) No. 5:</b></p>	<p>Is the measured value less than 10 Ω?</p>	<p>Go to step 2.</p>	<p>Replace side airbag harness. &lt;Ref. to AB-17, Side Airbag Harness.&gt;</p>
<p><b>2</b></p> <p><b>CHECK SIDE AIRBAG HARNESS (RH).</b></p> <p>Measure the resistance between connector (3I) in test harness I2 and the chassis ground.</p> <p><b>Connector &amp; terminal</b></p> <p><b>(3I) No. 17 — Chassis ground:</b></p> <p><b>(3I) No. 18 — Chassis ground:</b></p> <p><b>(3I) No. 19 — Chassis ground:</b></p> <p><b>(3I) No. 20 — Chassis ground:</b></p>	<p>Is the measured value more than 1 MΩ?</p>	<p>Replace side airbag sensor (RH). &lt;Ref. to AB-19, Side Airbag Sensor.&gt; When sensor replacement is not OK, replace the airbag control module. &lt;Ref. to AB-18, Airbag Control Module.&gt;</p>	<p>Replace side airbag harness. &lt;Ref. to AB-17, Side Airbag Harness.&gt;</p>

# DIAGNOSTIC CHART WITH DIAGNOSTIC TROUBLE CODE (DTC)

## AIRBAG SYSTEM (DIAGNOSTICS)

### Q: DTC 52

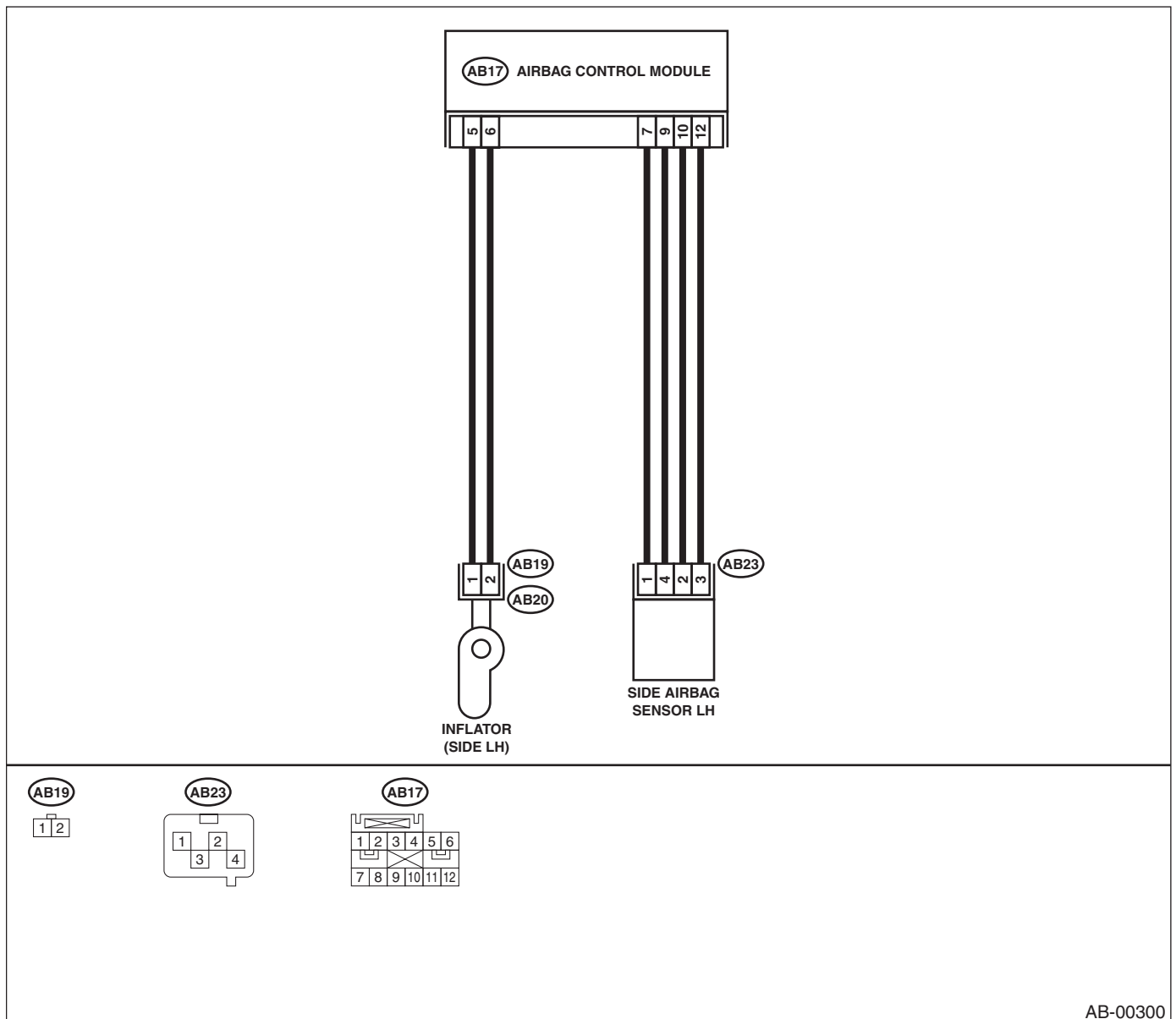
#### DIAGNOSIS:

- Side airbag sensor (LH) is faulty.
- Side airbag harness (LH) is faulty.
- Airbag control module is faulty.

#### CAUTION:

- Before diagnosing the airbag system, be sure to turn the ignition switch OFF, disconnect the ground cable from the battery, and wait more than 20 seconds before starting to work.
- Before replacing the airbag module, roll connector, control module, and sensor, reconnect each part and confirm that the warning light operates properly.
- When inspecting the airbag main harness, disconnect the driver's airbag module and passenger's airbag module connectors for safety reasons.
- When inspecting the side airbag harness, disconnect the side airbag module connector and seat belt pretensioner connector for the safety reasons.

#### WIRING DIAGRAM:



AB-00300



# DIAGNOSTIC CHART WITH DIAGNOSTIC TROUBLE CODE (DTC)

AIRBAG SYSTEM (DIAGNOSTICS)

Step	Check	Yes	No
<b>1 CHECK SIDE AIRBAG HARNESS (LH).</b> 1) Turn the ignition switch OFF, disconnect the battery ground cable, and wait more than 20 seconds. 2) Disconnect the connector (AB21) from the seat belt pretensioner (LH). <Ref. to SB-8, Front Seat Belt.> 3) Disconnect connector (AB20) from (AB19). 4) Disconnect connector (AB17) from the airbag control module. <Ref. to AB-18, Airbag Control Module.> 5) Connect connector (1I) in test harness I2 to connector (AB17). 6) Disconnect connector (AB23) from the side airbag sensor (LH), and connect connector (1G) in test harness G to connector (AB23). 7) Measure the resistance between connector (3I) in test harness I2 and connector (3G) in test harness G.  <b>Connector &amp; terminal</b> (3I) No. 5 — (3G) No. 5: (3I) No. 14 — (3G) No. 1: (3I) No. 15 — (3G) No. 4: (3I) No. 16 — (3G) No. 2:	Is the measured value less than 10 Ω?	Go to step 2.	Replace side airbag harness. <Ref. to AB-17, Side Airbag Harness.>
<b>2 CHECK SIDE AIRBAG HARNESS (RH).</b> Measure the resistance between connector (3I) in test harness I2 and the chassis ground.  <b>Connector &amp; terminal</b> (3I) No. 5 — Chassis ground: (3I) No. 14 — Chassis ground: (3I) No. 15 — Chassis ground: (3I) No. 16 — Chassis ground:	Is the measured value more than 1 MΩ?	Replace side airbag sensor (LH). <Ref. to AB-19, Side Airbag Sensor.> When sensor replacement is not OK, replace the airbag control module. <Ref. to AB-18, Airbag Control Module.>	Replace side airbag harness. <Ref. to AB-17, Side Airbag Harness.>

## R: DTC 53

### DIAGNOSIS:

- Side airbag sensor (RH) is faulty.

When Code 53 is displayed, the circuit within the side airbag sensor (RH) is faulty. Replace the side airbag sensor (RH).

<Ref. to AB-19, Side Airbag Sensor.>

## S: DTC 54

### DIAGNOSIS:

- Side airbag sensor (LH) is faulty.

When Code 53 is displayed, the circuit within the side airbag sensor (LH) is faulty. Replace the side airbag sensor (LH).

<Ref. to AB-19, Side Airbag Sensor.>

## T: DTC 55

This code is displayed when the side airbag is deployed.

When this code is displayed, the memory cannot be erased. Replace the following parts.

- Airbag control module. <Ref. to AB-18, Airbag Control Module.>
- Front seat with side airbag module. (Operating side) <Ref. to SE-8, Front Seat.>
- Side airbag sensor. (Operating side) <Ref. to AB-19, Side Airbag Sensor.>

# DIAGNOSTIC CHART WITH DIAGNOSTIC TROUBLE CODE (DTC)

## AIRBAG SYSTEM (DIAGNOSTICS)

### U: DTC 61

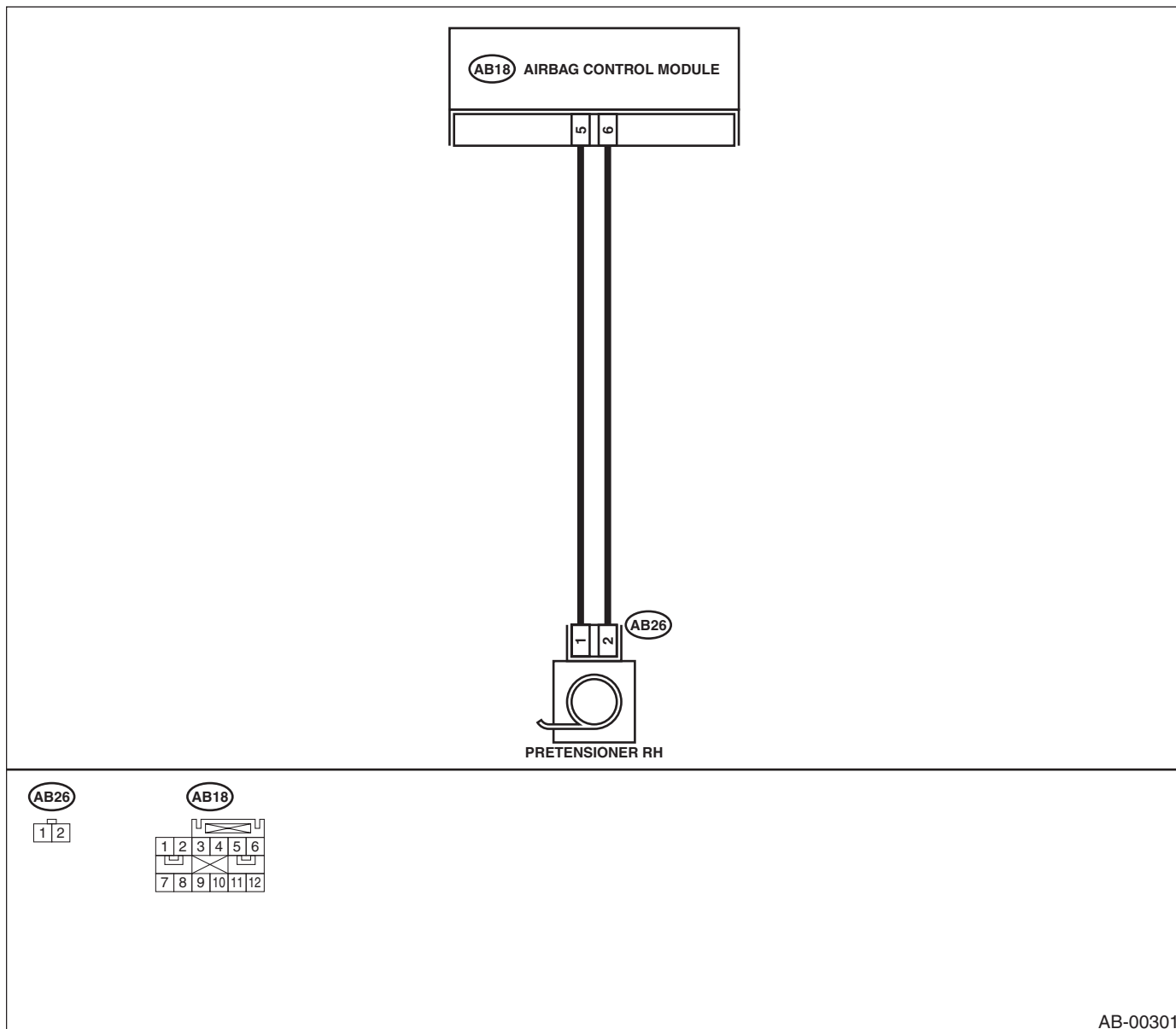
#### DIAGNOSIS:

- Seat belt pretensioner (RH) circuit is open, shorted or shorted to ground.
- Airbag control module is faulty.
- Pretensioner is faulty.
- Pretensioner harness is faulty.

#### CAUTION:

- Before diagnosing the airbag system, be sure to turn the ignition switch OFF, disconnect the ground cable from the battery, and wait more than 20 seconds before starting to work.
- Before replacing the airbag module, roll connector, control module, and sensor, reconnect each part and confirm that the warning light operates properly.
- When inspecting the side airbag harness, disconnect the side airbag module connector and seat belt pretensioner connector for the safety reasons.

#### WIRING DIAGRAM:



AB-00301

# DIAGNOSTIC CHART WITH DIAGNOSTIC TROUBLE CODE (DTC)

AIRBAG SYSTEM (DIAGNOSTICS)

Step	Check	Yes	No
<b>1 CHECK SEAT BELT PRETENSIONER.</b> 1) Turn the ignition switch OFF, disconnect the battery ground cable, and wait more than 20 seconds. 2) Disconnect the connector (AB26) from the seat belt pretensioner (RH). <Ref. to SB-8, Front Seat Belt.> 3) Connect the connector (1F) in test harness F to (AB26). 4) Connect the airbag resistor to connector (3F) in test harness F. 5) Connect the battery ground cable and turn the ignition switch ON.	Does the airbag warning light operate properly?	Replace seat belt pretensioner (RH). <Ref. to SB-8, Front Seat Belt.>	Go to step 2.
<b>2 CHECK SIDE AIRBAG HARNESS (RH).</b> 1) Turn the ignition switch OFF, disconnect the battery ground cable, and wait more than 20 seconds. 2) Disconnect the airbag resistor from the test harness. 3) Disconnect the connector (AB25) from (AB24). 4) Disconnect the connectors (AB17) and (AB18) from the airbag control module. <Ref. to AB-18, Airbag Control Module.> 5) Connect the connector (1I) in test harness I2 to connector (AB18). 6) Measure the resistance between connector (3I) in test harness I2 and connector (3F) in test harness F. <b>Connector &amp; terminal</b> <i>(3I) No. 8 — (3F) No. 4:</i> <i>(3I) No. 6 — (3F) No. 3:</i>	Is the measured value less than 10 Ω?	Go to step 3.	Replace side airbag harness. <Ref. to AB-17, Side Airbag Harness.>
<b>3 CHECK SIDE AIRBAG HARNESS (RH).</b> Measure the resistance of the connector (3I) in test harness I2. <b>Connector &amp; terminal</b> <i>(3I) No. 6 — No. 8:</i>	Is the measured value more than 1 MΩ?	Go to step 4.	Replace side airbag harness. <Ref. to AB-17, Side Airbag Harness.>
<b>4 CHECK SIDE AIRBAG HARNESS (RH).</b> Measure the resistance between connector (3I) in test harness I2 and the chassis ground. <b>Connector &amp; terminal</b> <i>(3I) No. 6 — Chassis ground:</i> <i>(3I) No. 8 — Chassis ground:</i>	Is the measured value more than 1 MΩ?	Replace the airbag control module. <Ref. to AB-18, Airbag Control Module.>	Replace side airbag harness. <Ref. to AB-17, Side Airbag Harness.>

# DIAGNOSTIC CHART WITH DIAGNOSTIC TROUBLE CODE (DTC)

## AIRBAG SYSTEM (DIAGNOSTICS)

### V: DTC 62

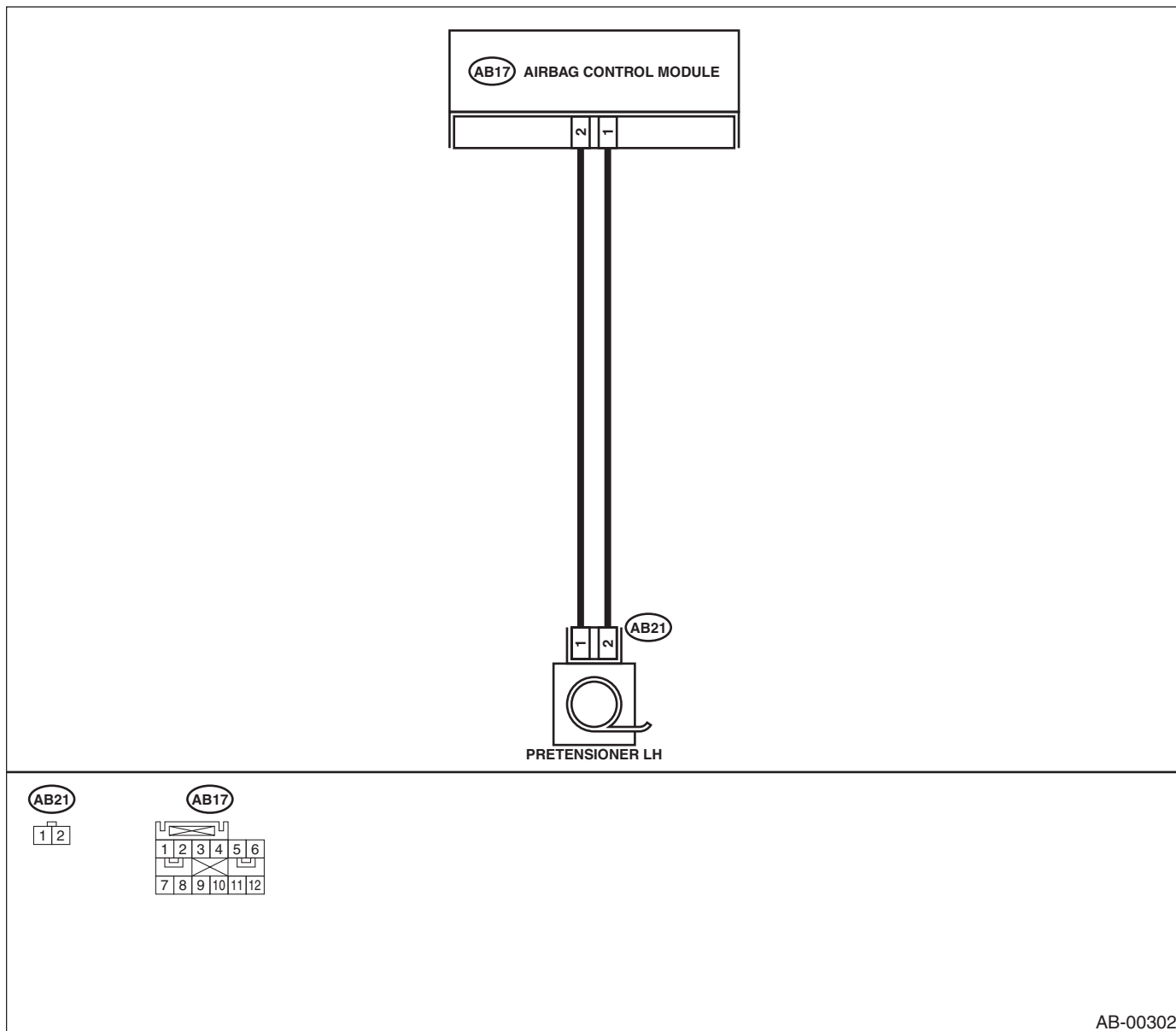
#### DIAGNOSIS:

- Seat belt pretensioner (LH) circuit is open, shorted or shorted to ground.
- Airbag control module is faulty.
- Pretensioner is faulty.
- Pretensioner harness is faulty.

#### CAUTION:

- Before diagnosing the airbag system, be sure to turn the ignition switch OFF, disconnect the ground cable from the battery, and wait more than 20 seconds before starting to work.
- Before replacing the airbag module, roll connector, control module, and sensor, reconnect each part and confirm that the warning light operates properly.
- When inspecting the side airbag harness, disconnect the side airbag module connector and seat belt pretensioner connector for the safety reasons.

#### WIRING DIAGRAM:



# DIAGNOSTIC CHART WITH DIAGNOSTIC TROUBLE CODE (DTC)

AIRBAG SYSTEM (DIAGNOSTICS)

Step	Check	Yes	No
<b>1 CHECK SEAT BELT PRETENSIONER.</b> 1) Turn the ignition switch OFF, disconnect the battery ground cable, and wait more than 20 seconds. 2) Disconnect the connector (AB21) from the stabled pretensioner (LH). <Ref. to SB-8, Front Seat Belt.> 3) Connect the connector (1F) in test harness F to (AB21). 4) Connect the airbag resistor to the connector (3F) in test harness F. 5) Connect the battery ground cable and turn the ignition switch ON.	Does the airbag warning light operate properly?	Replace seat belt pretensioner (LH). <Ref. to SB-8, Front Seat Belt.>	Go to step 2.
<b>2 CHECK SIDE AIRBAG HARNESS (LH).</b> 1) Turn the ignition switch OFF, disconnect the battery ground cable, and wait more than 20 seconds. 2) Disconnect the airbag resistor from the test harness. 3) Disconnect the connector (AB20) from (AB19). 4) Disconnect the connectors (AB17) and (AB18) from the airbag control module. <Ref. to AB-18, Airbag Control Module.> 5) Connect the connector (1I) in test harness I2 to the connector (AB17). 6) Measure the resistance between connector (3I) in test harness I2 and the connector (3F) in test harness F. <b>Connector &amp; terminal</b> <i>(3I) No. 11 — (3F) No. 4:</i> <i>(3I) No. 13 — (3F) No. 3:</i>	Is the measured value less than 10 Ω?	Go to step 3.	Replace side airbag harness. <Ref. to AB-17, Side Airbag Harness.>
<b>3 CHECK SIDE AIRBAG HARNESS (LH).</b> Measure the resistance of the connector (3I) in test harness I2. <b>Connector &amp; terminal</b> <i>(3I) No. 11 — No. 13:</i>	Is the measured value more than 1 MΩ?	Go to step 4.	Replace side airbag harness. <Ref. to AB-17, Side Airbag Harness.>
<b>4 CHECK SIDE AIRBAG HARNESS (LH).</b> Measure the resistance between the connector (3I) in test harness I2 and the chassis ground. <b>Connector &amp; terminal</b> <i>(3I) No. 11 — Chassis ground:</i> <i>(3I) No. 13 — Chassis ground:</i>	Is the measured value more than 1 MΩ?	Replace the airbag control module. <Ref. to AB-18, Airbag Control Module.>	Replace side airbag harness. <Ref. to AB-17, Side Airbag Harness.>

# DIAGNOSTIC CHART WITH DIAGNOSTIC TROUBLE CODE (DTC)

## AIRBAG SYSTEM (DIAGNOSTICS)

### W: DTC 65

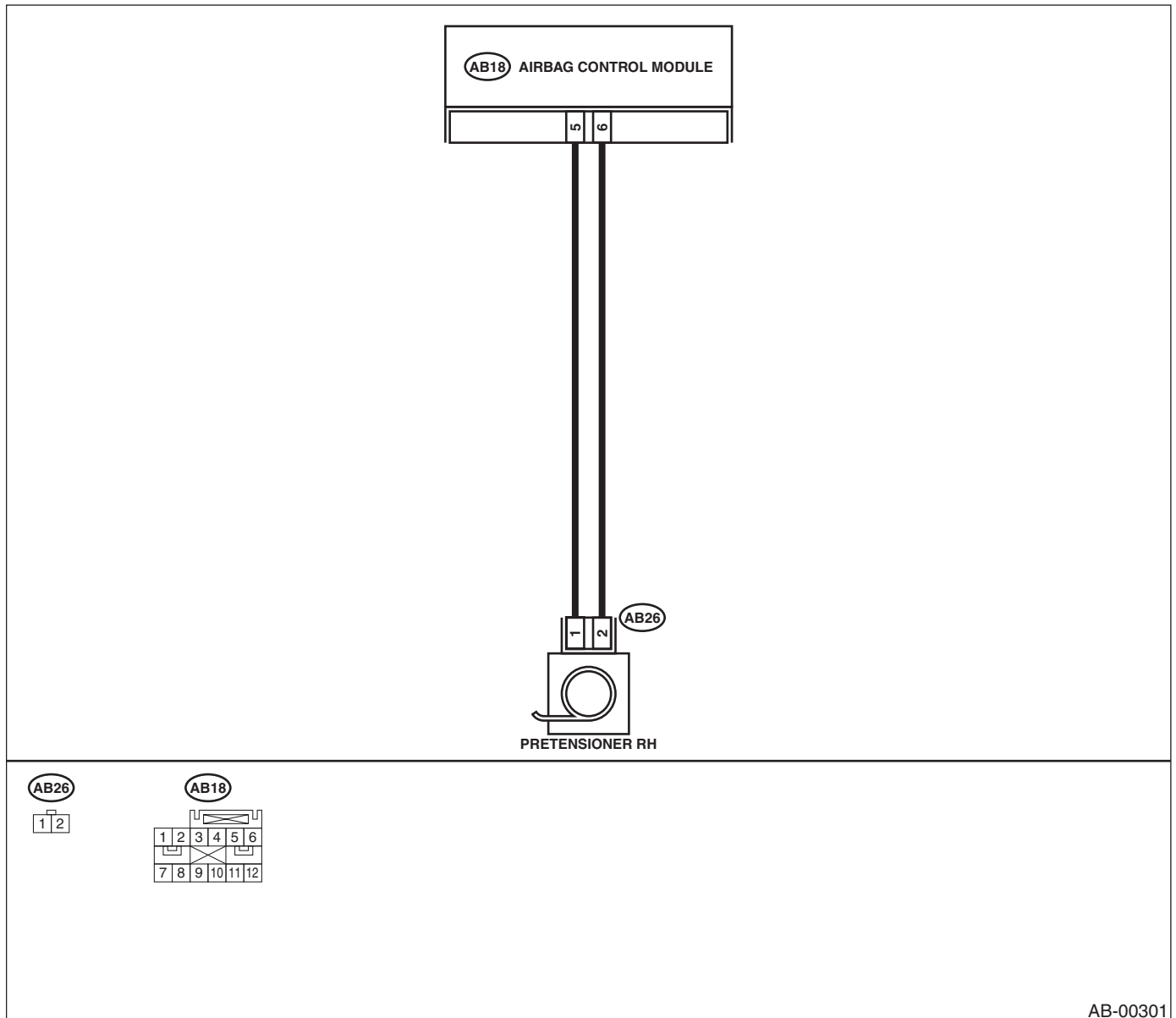
#### DIAGNOSIS:

- Seat belt pretensioner (RH) circuit is shorted to the power supply.
- Pretensioner is faulty.
- Pretensioner harness is faulty.
- Airbag control module is faulty.

#### CAUTION:

- Before diagnosing the airbag system, be sure to turn the ignition switch OFF, disconnect the ground cable from the battery, and wait more than 20 seconds before starting to work.
- Before replacing the airbag module, roll connector, control module, and sensor, reconnect each part and confirm that the warning light operates properly.
- When inspecting the side airbag harness, disconnect the side airbag module connector and seat belt pretensioner connector for the safety reasons.

#### WIRING DIAGRAM:



AB-00301

# DIAGNOSTIC CHART WITH DIAGNOSTIC TROUBLE CODE (DTC)

AIRBAG SYSTEM (DIAGNOSTICS)

Step	Check	Yes	No
<b>1</b> <b>CHECK SEAT BELT PRETENSIONER.</b> 1) Turn the ignition switch OFF, disconnect the battery ground cable, and wait more than 20 seconds. 2) Disconnect the connector (AB26) from the seat belt pretensioner (RH). <Ref. to SB-8, Front Seat Belt.> 3) Connect the connector (1F) in test harness F to (AB26). 4) Connect the airbag resistor to connector (3F) in test harness F. 5) Connect the battery ground cable, and turn the ignition switch ON.	Does the airbag warning light operate properly?	Replace seat belt pretensioner (RH). <Ref. to SB-8, Front Seat Belt.>	Go to step 2.
<b>2</b> <b>CHECK SIDE AIRBAG HARNESS (RH).</b> 1) Turn the ignition switch OFF, disconnect the battery ground cable, and wait more than 20 seconds. 2) Disconnect the airbag resistor from the test harness. 3) Disconnect the connector (AB25) from (AB24). 4) Disconnect the connectors (AB17) and (AB18) from the airbag control module. <Ref. to AB-18, Airbag Control Module.> 5) Connect the connector (1I) in test harness I2 to the connector (AB18). 6) Connect the battery ground cable and turn the ignition switch ON. 7) Measure the voltage between connector (3I) in test harness I2 and the chassis ground. <b>Connector &amp; terminal</b> (3I) No. 6 (+) — Chassis ground (-): (3I) No. 8 (+) — Chassis ground (-):	Is the measured value less than 1 V?	Replace the airbag control module. <Ref. to AB-18, Airbag Control Module.>	Replace side airbag harness. <Ref. to AB-17, Side Airbag Harness.>

# DIAGNOSTIC CHART WITH DIAGNOSTIC TROUBLE CODE (DTC)

## AIRBAG SYSTEM (DIAGNOSTICS)

### X: DTC 66

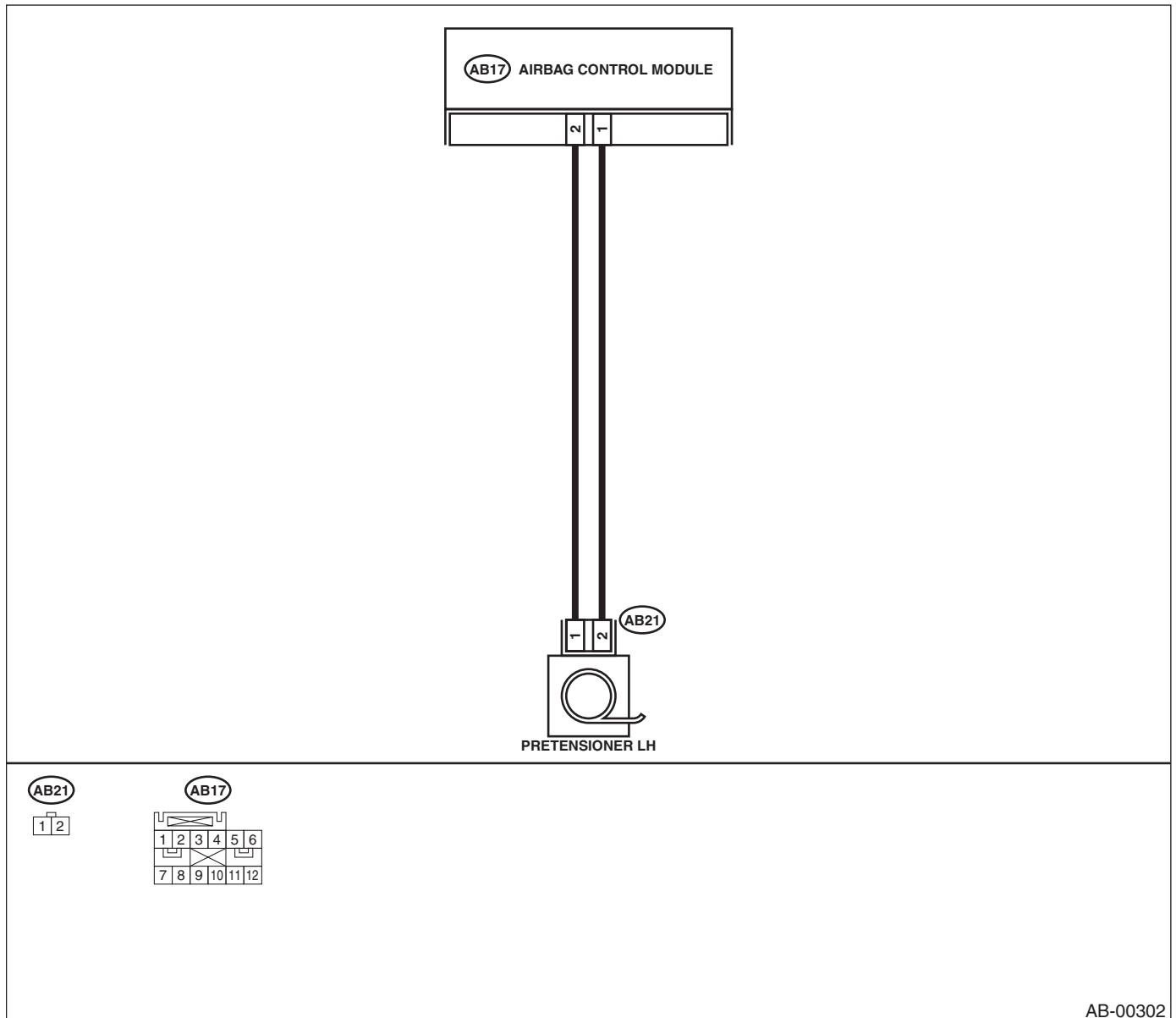
#### DIAGNOSIS:

- Seat belt pretensioner (LH) circuit is shorted to the power supply.
- Pretensioner is faulty.
- Pretensioner harness is faulty.
- Airbag control module is faulty.

#### CAUTION:

- Before diagnosing the airbag system, be sure to turn the ignition switch OFF, disconnect the ground cable from the battery, and wait more than 20 seconds before starting to work.
- Before replacing the airbag module, roll connector, control module and the sensor, reconnect each part and confirm that the warning light operates properly.
- When inspecting the side airbag harness, disconnect the side airbag module connector and seat belt pretensioner connector for the safety reasons.

#### WIRING DIAGRAM:



AB-00302



# DIAGNOSTIC CHART WITH DIAGNOSTIC TROUBLE CODE (DTC)

AIRBAG SYSTEM (DIAGNOSTICS)

Step	Check	Yes	No
<p><b>1</b>     <b>CHECK SEAT BELT PRETENSIONER.</b></p> <ol style="list-style-type: none"> <li>1) Turn the ignition switch OFF, disconnect the battery ground cable, and wait more than 20 seconds.</li> <li>2) Disconnect the connector (AB21) from the seat belt pretensioner (LH). &lt;Ref. to SB-8, Front Seat Belt.&gt;</li> <li>3) Connect the connector (1F) in test harness F to (AB21).</li> <li>4) Connect the airbag resistor to the connector (3F) in test harness F.</li> <li>5) Connect the battery ground cable and turn the ignition switch ON.</li> </ol>	<p>Does the airbag warning light operate properly?</p>	<p>Replace seat belt pre-tensioned (LH). &lt;Ref. to SB-8, Front Seat Belt.&gt;</p>	<p>Go to step 2.</p>
<p><b>2</b>     <b>CHECK SIDE AIRBAG HARNESS (LH).</b></p> <ol style="list-style-type: none"> <li>1) Turn the ignition switch OFF, disconnect the battery ground cable, and wait more than 20 seconds.</li> <li>2) Disconnect the airbag resistor from the test harness.</li> <li>3) Disconnect the connector (AB20) from (AB19).</li> <li>4) Disconnect the connectors (AB17) and (AB18) from the airbag control module. &lt;Ref. to AB-18, Airbag Control Module.&gt;</li> <li>5) Connect the connector (1I) in test harness I2 to the connector (AB17).</li> <li>6) Connect the battery ground cable and turn the ignition switch ON.</li> <li>7) Measure the voltage between connector (3I) in test harness I2 and the chassis ground.</li> </ol> <p><b>Connector &amp; terminal</b></p> <p><b>(3I) No. 11 (+) — Chassis ground (-):</b></p> <p><b>(3I) No. 13 (+) — Chassis ground (-):</b></p>	<p>Is the measured value less than 1 V?</p>	<p>Replace the airbag control module. &lt;Ref. to AB-18, Airbag Control Module.&gt;</p>	<p>Replace side airbag harness. &lt;Ref. to AB-17, Side Airbag Harness.&gt;</p>

# DIAGNOSTIC CHART WITH DIAGNOSTIC TROUBLE CODE (DTC)

## AIRBAG SYSTEM (DIAGNOSTICS)

### Y: DTC 72

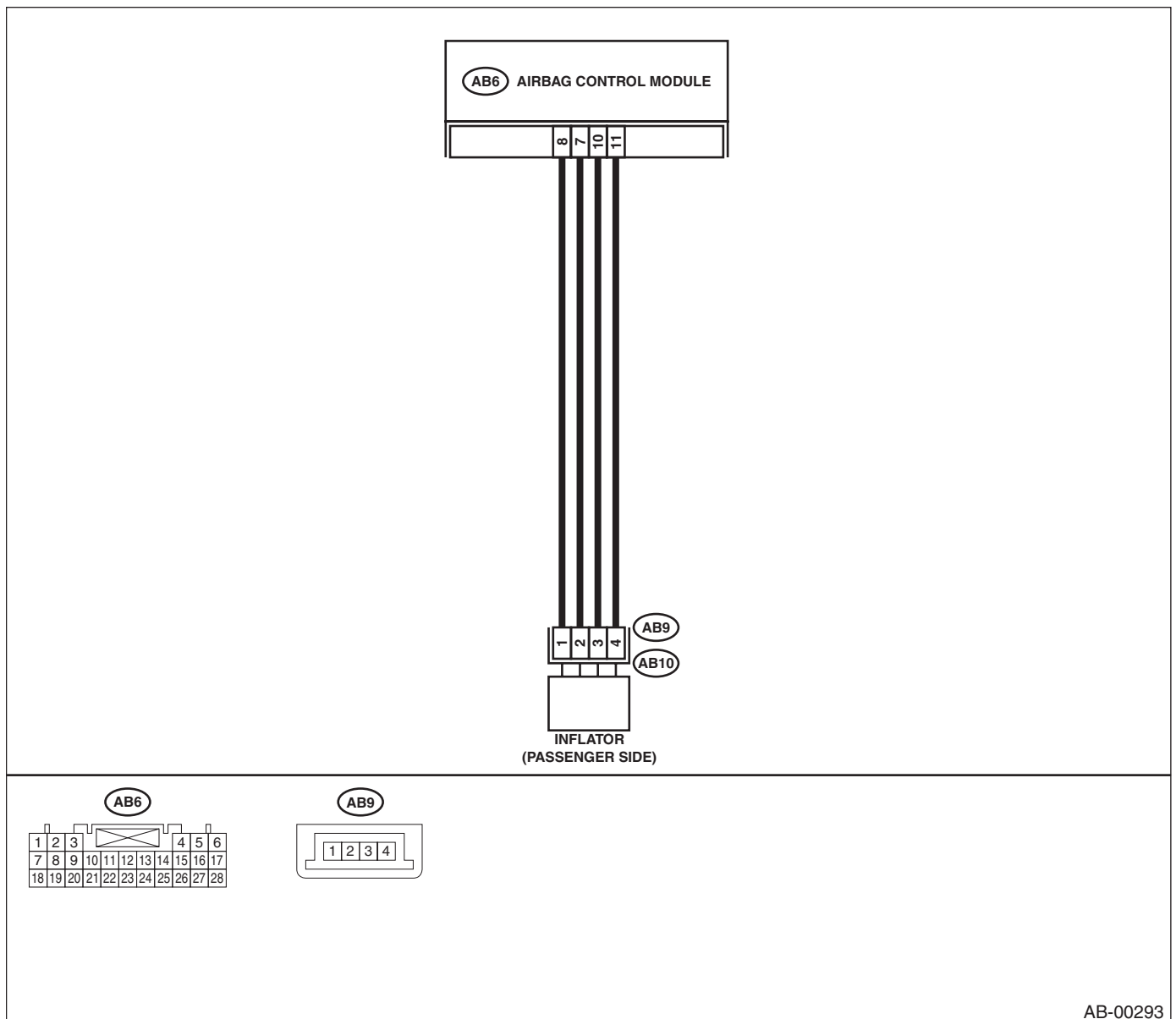
#### DIAGNOSIS:

- Airbag harness is open, shorted or shorted to ground.
- Airbag module harness (Passenger) circuit is open, shorted or shorted to ground.
- Passenger's airbag module is faulty.
- Airbag control module is faulty.

#### CAUTION:

- Before diagnosing the airbag system, be sure to turn the ignition switch OFF, disconnect the ground cable from the battery, and wait more than 20 seconds before starting to work.
- When inspecting the airbag main harness, disconnect the driver's airbag module and passenger's airbag module connectors for safety reasons.

#### WIRING DIAGRAM:



# DIAGNOSTIC CHART WITH DIAGNOSTIC TROUBLE CODE (DTC)

AIRBAG SYSTEM (DIAGNOSTICS)

Step	Check	Yes	No
<p><b>1</b>     <b>CHECK PASSENGER'S AIRBAG MODULE.</b></p> <ol style="list-style-type: none"> <li>1) Turn the ignition switch OFF, disconnect the battery ground cable, and wait more than 20 seconds.</li> <li>2) Pull out the two stopper pins and lower the glove box.</li> <li>3) Disconnect the connector passenger's airbag module from (AB9).</li> <li>4) Connect the connector (1K) in test harness K to connector (AB9).</li> <li>5) Connect two airbag resistors to connectors (3K) and (4K) in test harness K.</li> <li>6) Connect the battery ground cable and turn the ignition switch ON.</li> </ol>	<p>Does the airbag warning light operate properly?</p>	<p>Replace the passenger's airbag module. &lt;Ref. to AB-14, Passenger's Airbag Module.&gt;</p>	<p>Go to step 2.</p>
<p><b>2</b>     <b>CHECK AIRBAG MAIN HARNESS.</b></p> <ol style="list-style-type: none"> <li>1) Turn the ignition switch OFF, disconnect the battery ground cable, and wait more than 20 seconds.</li> <li>2) Disconnect two airbag resistors from the connectors (3K) and (4K) in test harness K.</li> <li>3) Remove the lower cover and disconnect the connector (AB3) from (AB8).</li> <li>4) Disconnect the connector (AB6) from the air bag control module, and connect the connector (1I) in test harness I2.</li> <li>5) Measure the resistance between connector (6I) in test harness I2 and the connector (4K) in test harness K.</li> </ol> <p><b>Connector &amp; terminal</b>  <b>(6I) No. 2 — (4K) No. 3:</b>  <b>(6I) No. 4 — (4K) No. 4:</b></p>	<p>Is the measured value less than 10 Ω?</p>	<p>Go to step 3.</p>	<p>Replace the airbag main harness. &lt;Ref. to AB-16, Main Harness.&gt;</p>
<p><b>3</b>     <b>CHECK AIRBAG MAIN HARNESS.</b></p> <p>Measure the resistance of the connector (6I) in test harness I2.</p> <p><b>Connector &amp; terminal</b>  <b>(6I) No. 2 — No. 4:</b>  <b>(6I) No. 2 — Chassis ground:</b>  <b>(6I) No. 4 — Chassis ground:</b></p>	<p>Is the measured value more than 1 MΩ?</p>	<p>Replace the airbag control module. &lt;Ref. to AB-18, Airbag Control Module.&gt;</p>	<p>Replace the airbag main harness. &lt;Ref. to AB-16, Main Harness.&gt;</p>

# DIAGNOSTIC CHART WITH DIAGNOSTIC TROUBLE CODE (DTC)

## AIRBAG SYSTEM (DIAGNOSTICS)

### Z: DTC 76

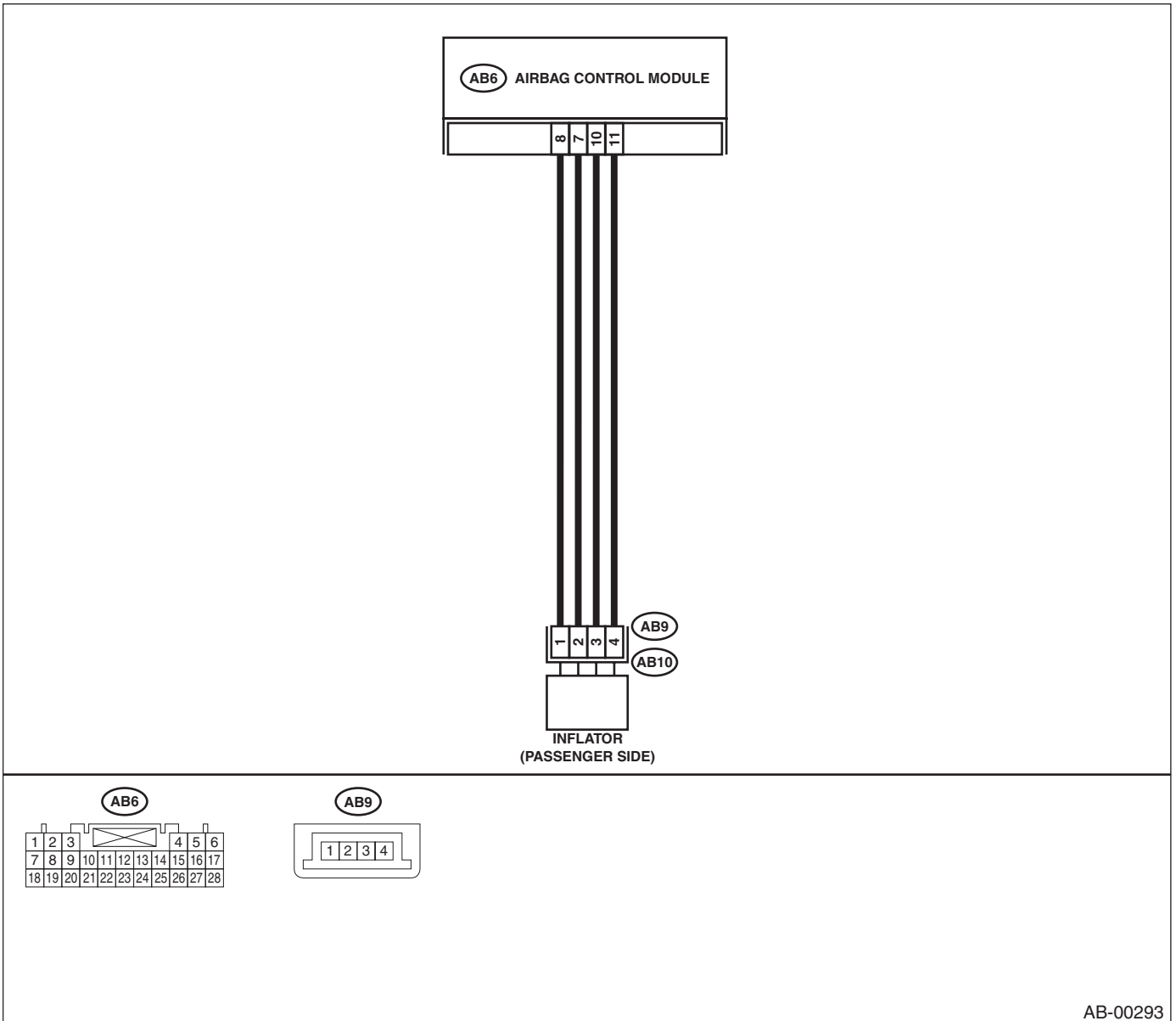
#### DIAGNOSIS:

- Airbag main harness (Passenger) circuit is shorted to the power supply.
- Airbag module harness (Passenger) is shorted to the power supply.
- Passenger's airbag module is faulty.
- Airbag control module is faulty.

#### CAUTION:

- Before diagnosing the airbag system, be sure to turn the ignition switch OFF, disconnect the ground cable from the battery, and wait more than 20 seconds before starting to work.
- When inspecting the airbag main harness, disconnect the driver's airbag module and passenger's airbag module connectors for safety reasons.

#### WIRING DIAGRAM:



AB-00293

# DIAGNOSTIC CHART WITH DIAGNOSTIC TROUBLE CODE (DTC)

AIRBAG SYSTEM (DIAGNOSTICS)

Step	Check	Yes	No
<b>1</b> <b>CHECK PASSENGER'S AIRBAG MODULE.</b> 1) Turn the ignition switch OFF, disconnect the battery ground cable, and wait more than 20 seconds. 2) Pull out the two stopper pins and lower the glove box. 3) Disconnect the connector (AB9) from passenger's airbag module. 4) Connect the connector (1K) in test harness K to connector (AB9). 5) Connect two airbag resistors to connectors (3K) and (4K) in test harness K. 6) Connect the battery ground cable and turn the ignition switch ON.	Does the airbag warning light operate properly?	Replace the passenger's airbag module. <Ref. to AB-14, Passenger's Airbag Module.>	Go to step 2.
<b>2</b> <b>CHECK AIRBAG MAIN HARNESS.</b> 1) Turn the ignition switch OFF, disconnect the battery ground cable, and wait more than 20 seconds. 2) Disconnect two airbag resistors from the connectors (3K) and (4K) in test harness K. 3) Remove the lower cover and disconnect the connector (AB3) from (AB8). 4) Disconnect the connector (AB6) from the airbag control module, and connect the connector (1I) in test harness I2. 5) Measure the voltage between connector (6I) in test harness I2 and the chassis ground.  <b>Connector &amp; terminal</b> (6I) No. 2 (+) — Chassis ground (-): (6I) No. 4 (+) — Chassis ground (-):	Is the measured value less than 1 V?	Replace the airbag control module. <Ref. to AB-18, Airbag Control Module.>	Replace the airbag main harness. <Ref. to AB-16, Main Harness.>

# DIAGNOSTIC CHART WITH DIAGNOSTIC TROUBLE CODE (DTC)

AIRBAG SYSTEM (DIAGNOSTICS)

---

**MEMO:**