

ENTERTAINMENT

ET

	Page
1. General Description	2
2. Radio System	3
3. Front Accessory Power Socket System	4
4. Radio	5
5. Front Speaker	6
6. Front Tweeter	7
7. Rear Speaker	8
8. Rear Tweeter	9
9. Woofer	10
10. Speaker Amplifier	11
11. Antenna	12
12. Antenna Amplifier	13
13. Front Accessory Power Socket	14

GENERAL DESCRIPTION

ENTERTAINMENT

1. General Description

A: CAUTION

- Before disassembling or reassembling parts, always disconnect battery ground cable. When replacing radio, control module, and other parts provided with memory functions, record memory contents before disconnecting the battery ground cable. Otherwise, the memory will be erased.
- Reassemble in reverse order of disassembly, unless otherwise indicated.
- Adjust parts to the given specifications.
- Connect connectors and hoses securely during reassembly.
- After reassembly, make sure functional parts operate smoothly.

B: PREPARATION TOOL

1. GENERAL TOOLS

TOOL NAME	REMARKS
Circuit Tester	Used for measuring resistance and voltage.
Heat wire repairing agent (DUPONT NO. 4817 or equivalent)	Used for repairing antenna wire.

2. Radio System

A: SCHEMATIC

1. AUDIO SYSTEM

<Ref. to WI-108, SCHEMATIC, Audio System.>

B: INSPECTION

Symptom	Repair order
Display does not illuminate and no sound from speakers.	(1) Check fuse and power supply for radio. (2) Check radio ground. (3) Remove radio for repair.
No sound from specific speaker.	(1) Check speaker. (2) Check output circuit between radio and speaker.
Radio generates noise with engine running.	(1) Check radio ground. (2) Check generator. (3) Check ignition coil. (4) Remove radio for repair.
Weak signal or noisy sound when receiving AM and FM.	(1) Check antenna. (2) Check antenna amplifier. (3) Check radio ground. (4) Remove radio for repair.

FRONT ACCESSORY POWER SOCKET SYSTEM

ENTERTAINMENT

3. Front Accessory Power Socket System

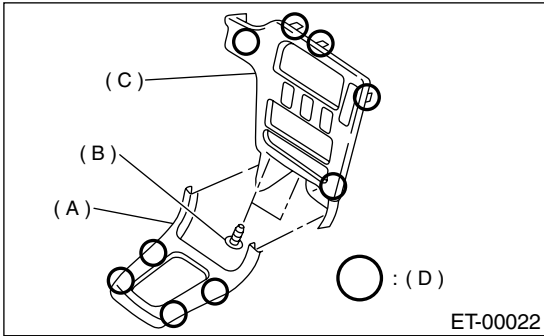
A: SCHEMATIC

<Ref. to WI-208, SCHEMATIC, Front Accessory
Power Supply System.>

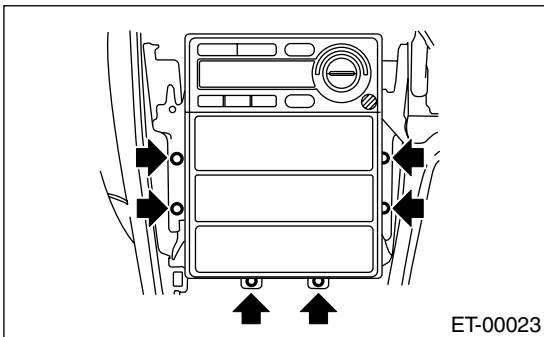
4. Radio

A: REMOVAL

- 1) Disconnect ground cable from battery.
- 2) Remove hook (D) and then remove front cover (A).
- 3) Remove two screws (B), then remove center panel (C) while disconnecting connector from front cover (A).



- 4) Remove fitting screws, and slightly pull radio out from center console.



- 5) Remove harness connectors and antenna feed-cord and then detach A/C control unit.

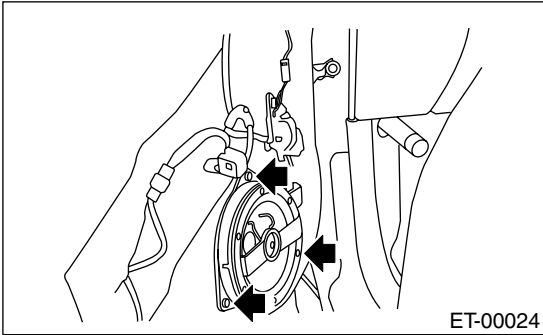
B: INSTALLATION

Install in the reverse order of removal.

5. Front Speaker

A: REMOVAL

- 1) Disconnect ground cable from battery.
- 2) Remove front door trim. <Ref. to EI-40, REMOVAL, Front Door Trim.>
- 3) Remove front speaker mounting screws.



- 4) Disconnect harness connector and remove front speaker.

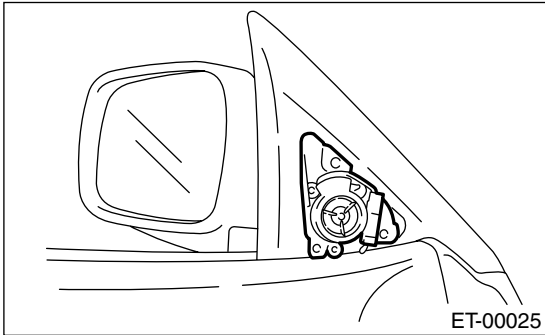
B: INSTALLATION

Install in the reverse order of removal.

6. Front Tweeter

A: REMOVAL

- 1) Disconnect ground cable from battery.
- 2) Remove gusset cover.



- 3) Disconnect harness connector and remove tweeter.

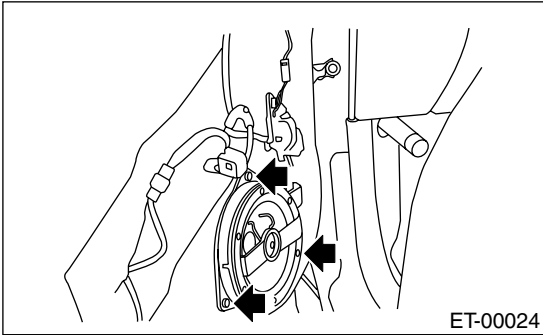
B: INSTALLATION

Install in the reverse order of removal.

7. Rear Speaker

A: REMOVAL

- 1) Disconnect ground cable from battery.
- 2) Remove rear door trim. <Ref. to EI-41, REMOVAL, Rear Door Trim.>
- 3) Remove rear speaker mounting screws.



- 4) Disconnect harness connector and remove rear speaker.

B: INSTALLATION

Install in the reverse order of removal.

8. Rear Tweeter

A: REMOVAL

- 1) Disconnect ground cable from battery.
- 2) Remove rear door trim. <Ref. to EI-41, REMOVAL, Rear Door Trim.>
- 3) Remove tweeter mounting screws.
- 4) Disconnect harness connector and remove tweeter.

B: INSTALLATION

Install in the reverse order of removal.

9. Woofer

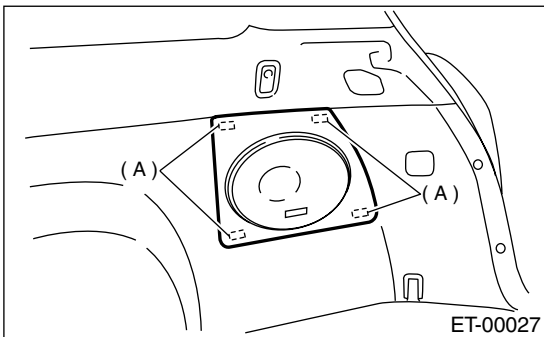
A: REMOVAL

1. SEDAN

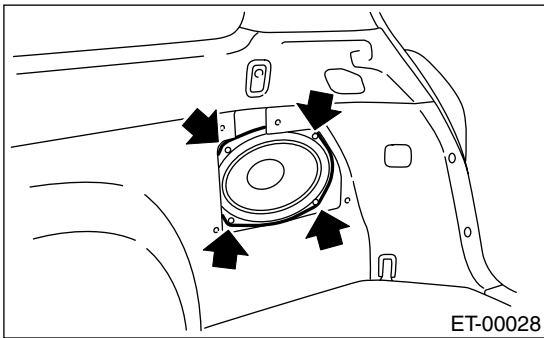
- 1) Disconnect ground cable from battery.
- 2) Remove rear shelf trim. <Ref. to EI-58, Removal, Rear Shelf Trim.>
- 3) Remove woofer mounting screws.
- 4) Disconnect harness connector, and then remove woofer.

2. WAGON

- 1) Disconnect ground cable from battery.
- 2) Remove hook (A) and then remove trim of woofer.



- 3) Remove woofer mounting screws.



- 4) Disconnect harness connector, and then remove woofer.

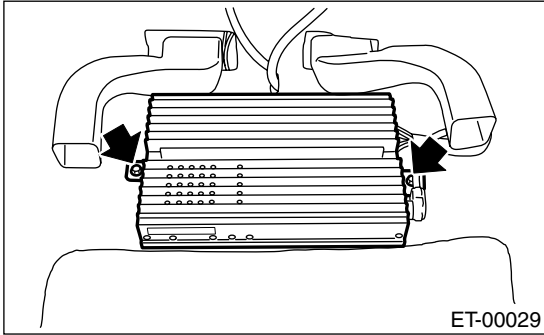
B: INSTALLATION

Install in the reverse order of removal.

10. Speaker Amplifier

A: REMOVAL

- 1) Disconnect ground cable from battery.
- 2) Remove passenger's seat. <Ref. to SE-8, REMOVAL, Front Seat.>
- 3) Disconnect harness connector.
- 4) Remove mounting nuts, and then detach speaker amplifier.



B: INSTALLATION

Install in the reverse order of removal.

ANTENNA

ENTERTAINMENT

11. Antenna

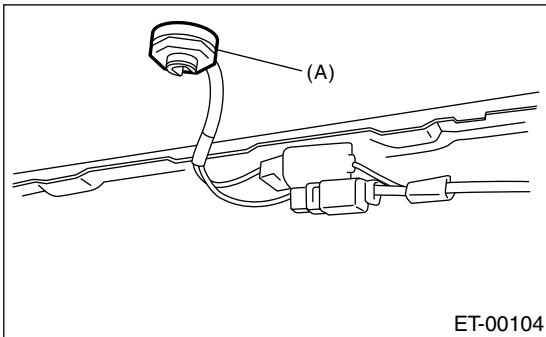
A: REMOVAL

1. PILLAR ANTENNA

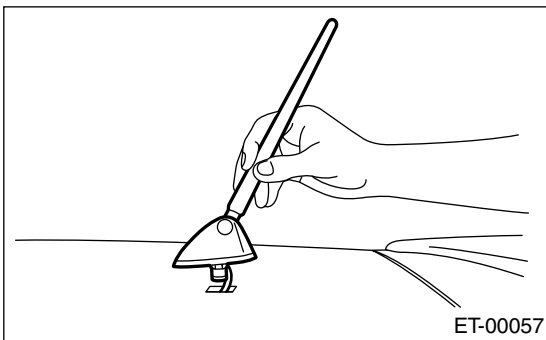
- 1) Remove the mounting screws and detach the antenna.
- 2) Remove the antenna plug.

2. ROOF ANTENNA

- 1) Remove the roof trim.
<Ref. to EI-55, WAGON, REMOVAL, Roof Trim.>
- 2) Disconnect the harness connector, and remove the nut (A).



- 3) Pull the antenna out from roof.



B: INSTALLATION

Install in the reverse order of removal.

C: INSPECTION

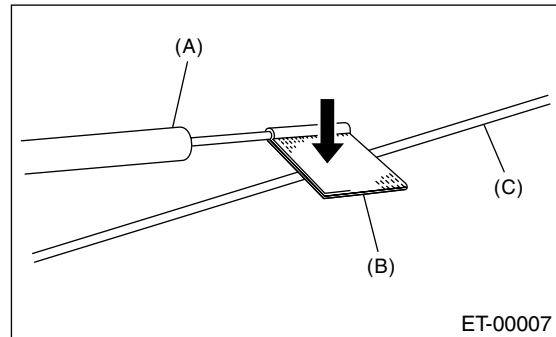
Measure resistance between antenna terminal and each antenna wire.

If an antenna wire is OK, resistance will be less than 1 Ω . If an antenna wire is broken, resistance will be more than 1 M Ω .

NOTE:

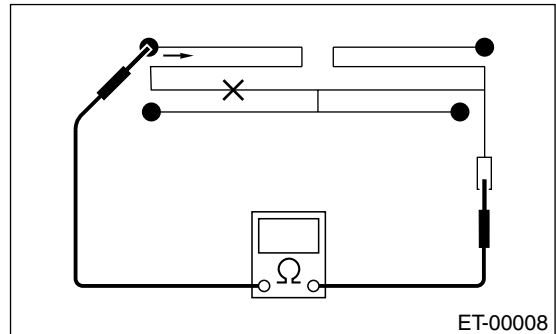
When checking the continuity, wind a piece of aluminum foil around the tip of tester probe, and then

press the aluminum foil against wire with your finger.



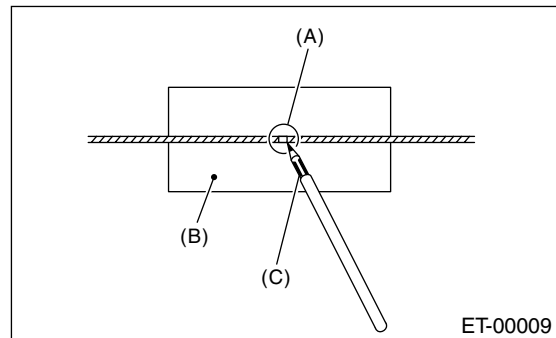
- (A) Tester probe
- (B) Aluminum foil
- (C) Antenna wire

To locate the broken point, move the probe along the antenna wire.



D: REPAIR

- 1) Clean antenna wire and the surrounding area with a cloth dampened by alcohol.
- 2) Paste a thin masking film (B) on glass along the broken wire.
- 3) Deposit heat wire repair agent (C) (DUPONT NO. 4817) on the broken portion (A) with a drawing pen.



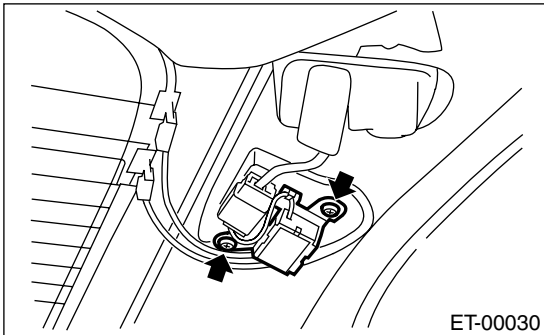
- 4) Dry out the heat wire repair agent portion.
- 5) After repair has been completed, measure resistance in the repaired wire.

12. Antenna Amplifier

A: REMOVAL

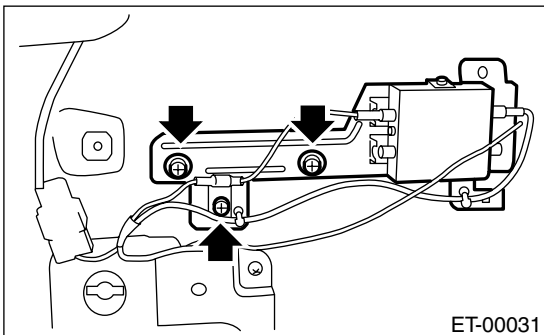
1. SEDAN

- 1) Disconnect ground cable from battery.
- 2) Remove rear pillar upper trim. <Ref. to EI-52, SEDAN, REMOVAL, Rear Quarter Trim.>
- 3) Disconnect harness connector and terminal.
- 4) Remove mounting screw and detach antenna amplifier.



2. WAGON

- 1) Disconnect ground cable from battery.
- 2) Remove rear quarter lower trim. <Ref. to EI-52, WAGON, REMOVAL, Rear Quarter Trim.>
- 3) Disconnect harness connector and terminal.
- 4) Remove mounting screw and detach antenna amplifier.



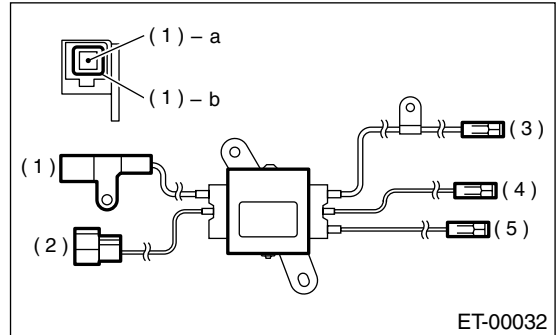
B: INSTALLATION

Install in the reverse order of removal.

C: INSPECTION

1. SEDAN

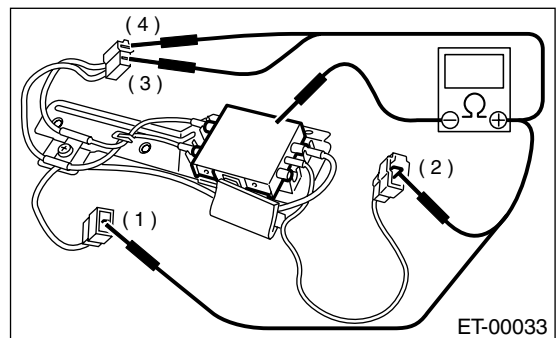
Measure antenna amplifier resistance.



Terminal No.	Standard
1-a and Amplifier body	More than 100 kΩ
1-b and Amplifier body	Less than 1 Ω
2 and Amplifier body	More than 100 kΩ
3 and Amplifier body	More than 100 kΩ
4 and Amplifier body	More than 100 kΩ
5 and Amplifier body	More than 100 kΩ
1 and 3	Less than 1 Ω

2. WAGON

Measure antenna amplifier resistance.



Terminal No.	Standard
1 and Amplifier body	More than 100 kΩ
2 and Amplifier body	More than 100 kΩ
3 and Amplifier body	More than 100 kΩ
4 and Amplifier body	More than 100 kΩ

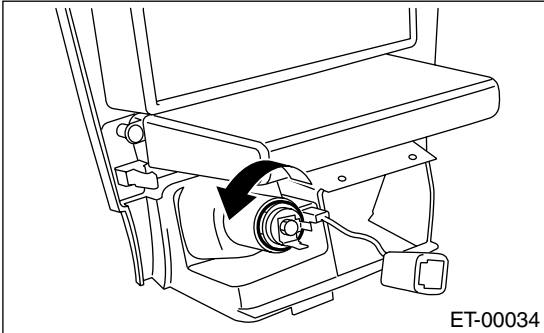
FRONT ACCESSORY POWER SOCKET

ENTERTAINMENT

13. Front Accessory Power Socket

A: REMOVAL

- 1) Disconnect ground cable from battery.
- 2) Remove center panel. <Ref. to ET-5, REMOVAL, Radio.>
- 3) Disconnect harness connectors and remove front accessory power socket.



B: INSTALLATION

Install in the reverse order of removal.