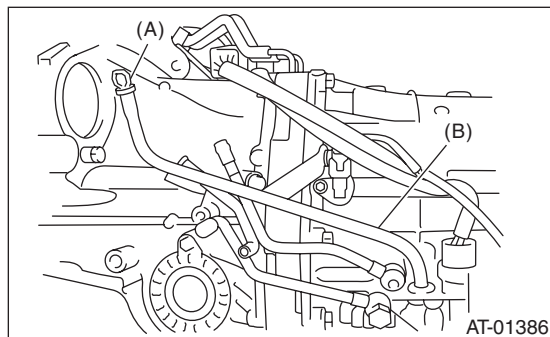


### 23.Oil Charge Pipe

#### A: REMOVAL

- 1) Remove the intercooler. (Turbo model)  
<Ref. to IN(H4DOTC)-12, REMOVAL, Intercooler.>
- 2) Remove the air intake chamber. (Non-turbo model) <Ref. to IN(H6DO)-7, REMOVAL, Air Intake Chamber.>
- 3) Remove the oil charge pipe, and then remove the O-ring from flange side.



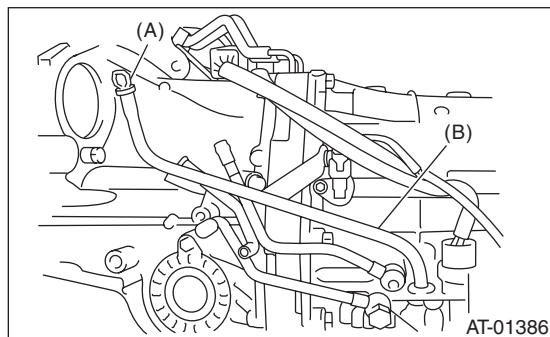
- (A) Oil level gauge  
(B) Oil charge pipe

#### B: INSTALLATION

- 1) Install the oil charge pipe with a new O-ring.

##### **Tightening torque:**

**41 N·m (4.2 kgf·m, 30.4 ft·lb)**



- (A) Oil level gauge  
(B) Oil charge pipe

- 2) Install the intercooler. (Turbo model)<Ref. to IN(H4DOTC)-12, INSTALLATION, Intercooler.>
- 3) Install the air intake chamber. (Non-turbo model) <Ref. to IN(H6DO)-7, INSTALLATION, Air Intake Chamber.>

#### C: INSPECTION

Make sure the oil charge pipe is not deformed or damaged.