

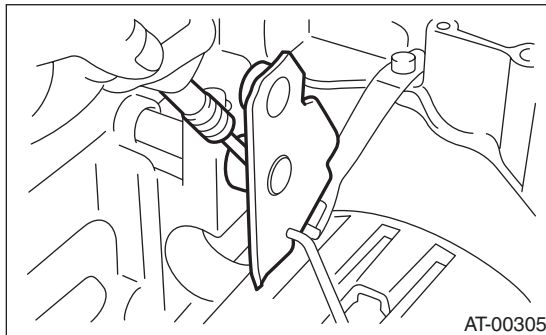
Transmission Control Device

AUTOMATIC TRANSMISSION

37. Transmission Control Device

A: REMOVAL

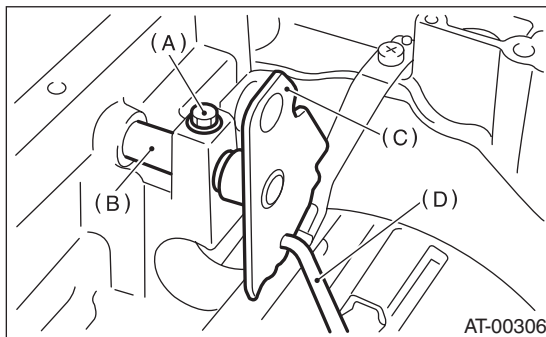
- 1) Remove the transmission assembly from vehicle body. <Ref. to 5AT-34, REMOVAL, Automatic Transmission Assembly.>
- 2) Pull out the torque converter assembly. <Ref. to 5AT-63, REMOVAL, Torque Converter Assembly.>
- 3) Lift-up the lever on the rear side of transmission harness connector, and then disconnect it from the stay.
- 4) Disconnect the air breather hose. <Ref. to 5AT-61, REMOVAL, Air Breather Hose.>
- 5) Wrap vinyl tape around the nipple attached to the air breather hose.
- 6) Remove the pitching stopper bracket.
- 7) Remove the control valve body assembly. <Ref. to 5AT-53, REMOVAL, Control Valve Body.>
- 8) Pull out the straight pin of manual plate.



- 9) Remove the bolts securing select lever, and then remove the select lever, manual plate and parking rod.

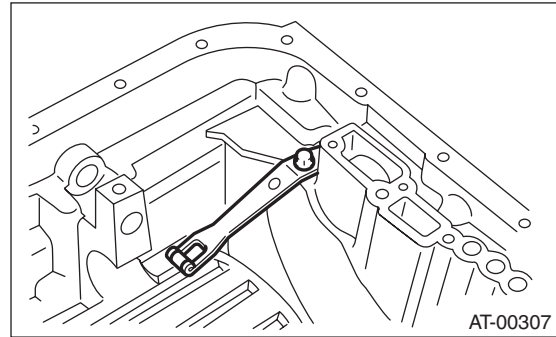
NOTE:

Be careful not to damage the lips of press-fitted oil seal in the case.



- (A) Bolt
- (B) Range select lever
- (C) Manual plate
- (D) Parking rod

- 10) Remove the detention spring.

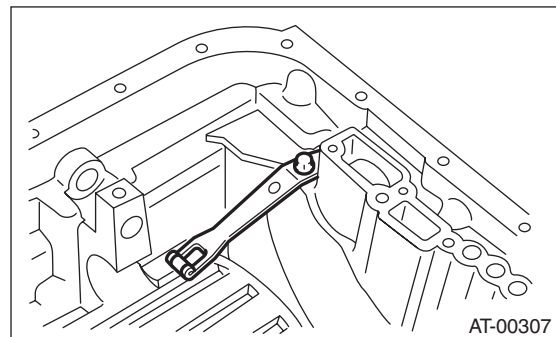


B: INSTALLATION

- 1) Install the detention spring to the transmission case.

Tightening torque:

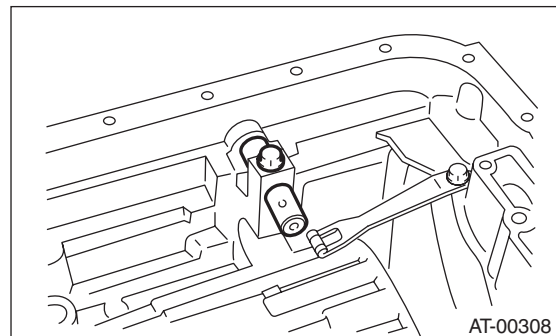
6 N·m (0.6 kgf·m, 4.4 ft·lb)



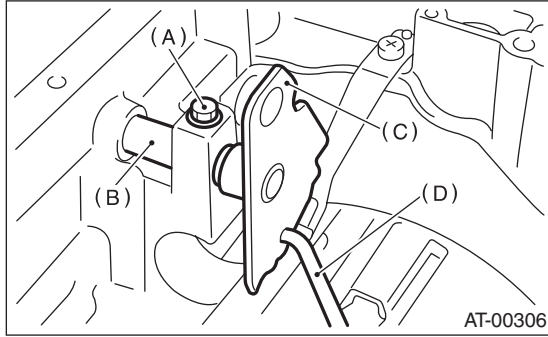
- 2) Insert the select lever, and then tighten the bolt.

Tightening torque:

6 N·m (0.6 kgf·m, 4.4 ft·lb)

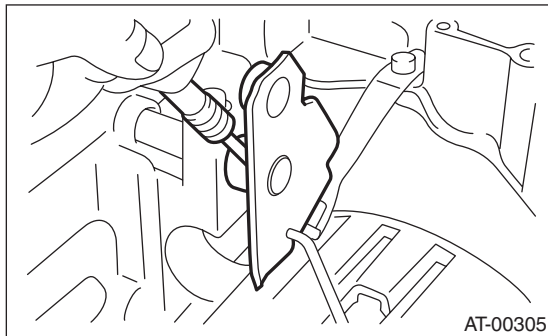


3) Insert the manual plate and parking rod.



- (A) Bolt
- (B) Range select lever
- (C) Manual plate
- (D) Parking rod

4) Insert the spring pin to the manual plate.



5) Install the oil pan and the control valve assembly. <Ref. to 5AT-53, INSTALLATION, Control Valve Body.>

6) Install the pitching stopper bracket.

Tightening torque:

41 N·m (4.2 kgf·m, 30.4 ft·lb)

7) Insert the transmission connector to the stay.

8) Install the air breather hose. <Ref. to 5AT-61, INSTALLATION, Air Breather Hose.>

9) Install the torque converter assembly. <Ref. to 5AT-63, INSTALLATION, Torque Converter Assembly.>

10) Install the transmission assembly to the vehicle. <Ref. to 5AT-37, INSTALLATION, Automatic Transmission Assembly.>

C: INSPECTION

Make sure the manual lever and detention spring are not worn or otherwise damaged.

Transmission Control Device

AUTOMATIC TRANSMISSION

AUTOMATIC TRANSMISSION (DIAGNOSTICS)

5AT(diag)

	Page
1. Basic Diagnostic Procedure	2
2. Check List for Interview	4
3. General Description	5
4. Electrical Component Location	7
5. Transmission Control Module (TCM) I/O Signal	12
6. Subaru Select Monitor	16
7. Read Diagnostic Trouble Code (DTC)	19
8. Inspection Mode	20
9. Clear Memory Mode	21
10. Learning Control	22
11. SPORT Indicator Light Display	23
12. Diagnostic Procedure for Subaru Select Monitor Communication	26
13. List of Diagnostic Trouble Code (DTC)	29
14. Diagnostic Procedure with Diagnostic Trouble Code (DTC)	32
15. Diagnostic Procedure without Diagnostic Trouble Code (DTC)	125
16. General Diagnostic Table	134