

Pressure Control Solenoid Valve

EMISSION CONTROL (AUX. EMISSION CONTROL DEVICES)

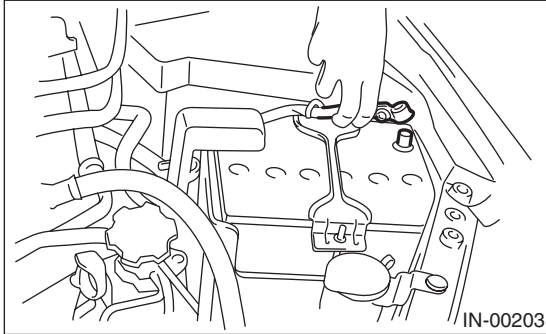
11. Pressure Control Solenoid Valve

C: INSPECTION

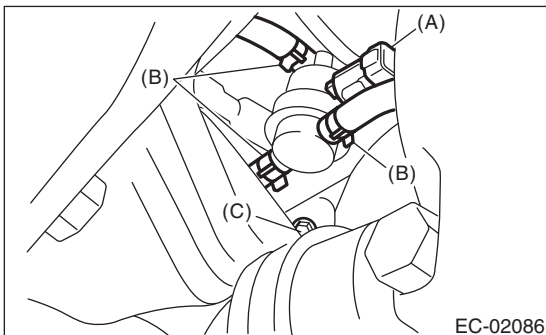
Make sure the hoses are not cracked or loose.

A: REMOVAL

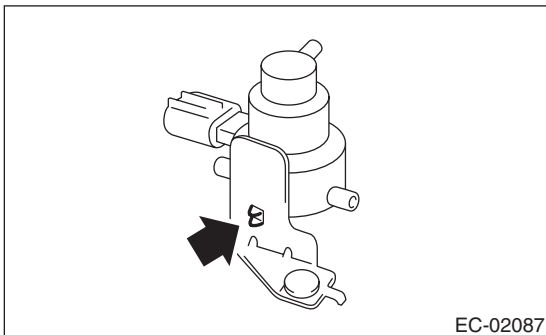
- 1) Set the vehicle on a lift.
- 2) Disconnect the ground cable from the battery.



- 3) Lift-up the vehicle.
- 4) Disconnect connector (A) from the pressure control solenoid valve.
- 5) Disconnect the evaporation hose (B) from the pressure control solenoid valve.
- 6) Remove the bolts (C) which secure the bracket to the fuel tank.



- 7) Remove the pressure control solenoid valve along with the bracket.
- 8) Remove the pressure control solenoid valve from the bracket.



B: INSTALLATION

Install in the reverse order of removal.

Tightening torque:

7.35 N·m (0.7 kgf-m, 5.4 ft-lb)