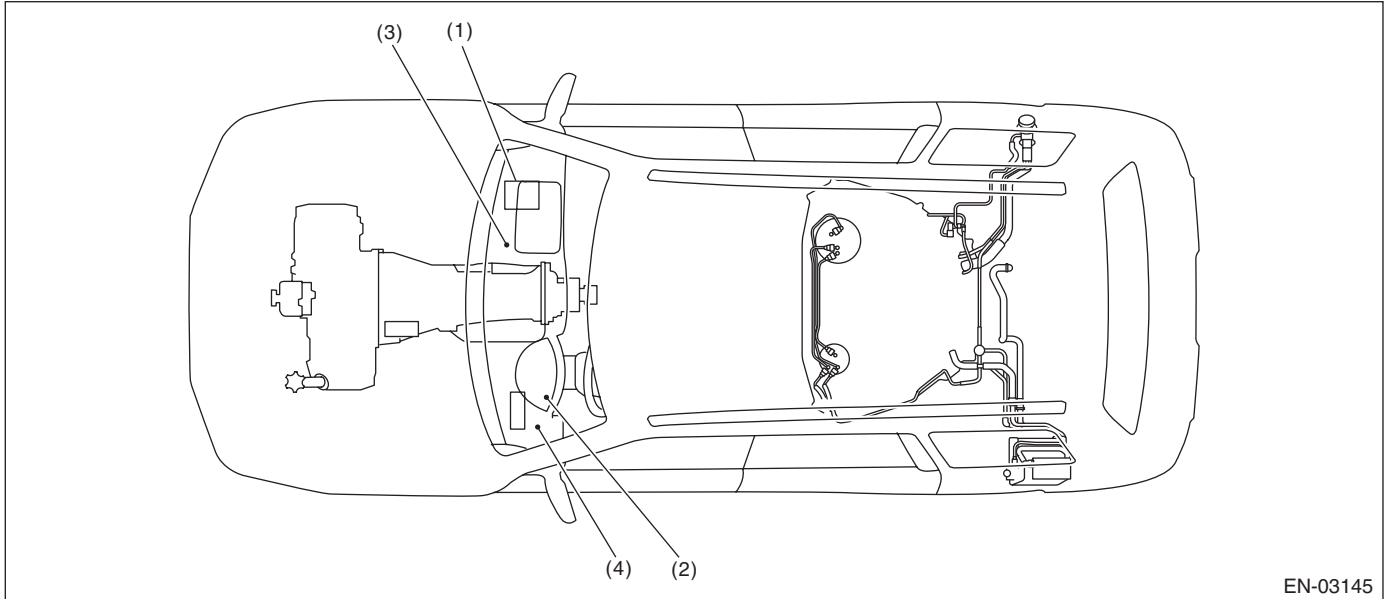


4. Electrical Component Location

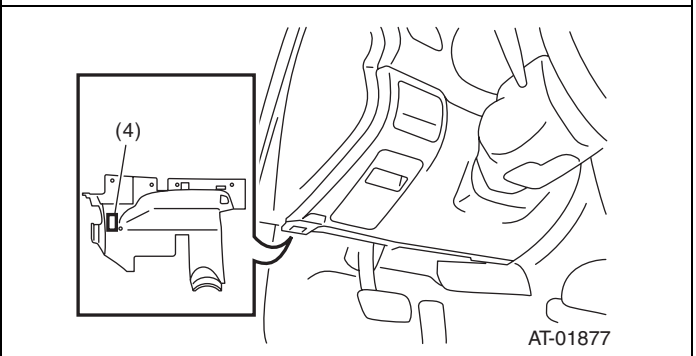
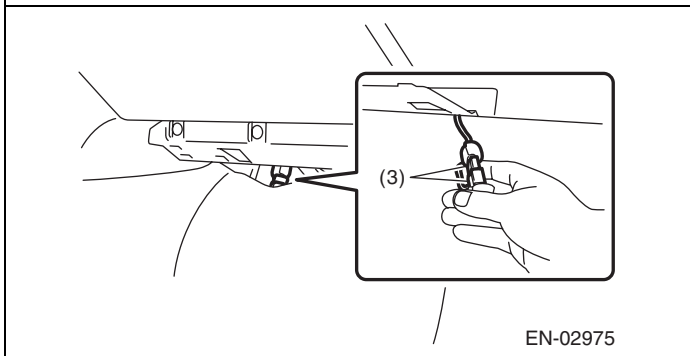
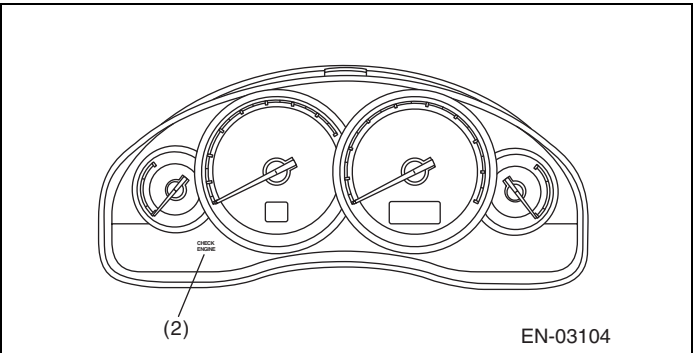
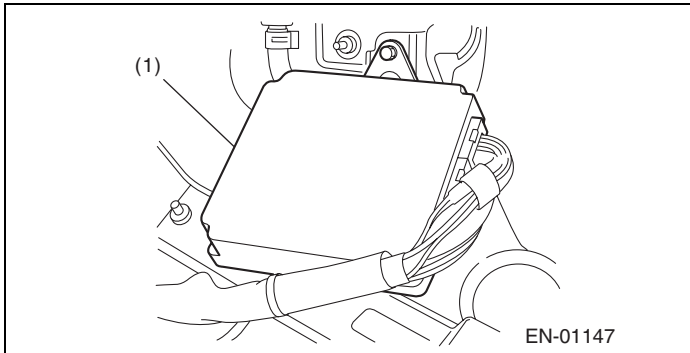
A: LOCATION

1. ENGINE

- Control module



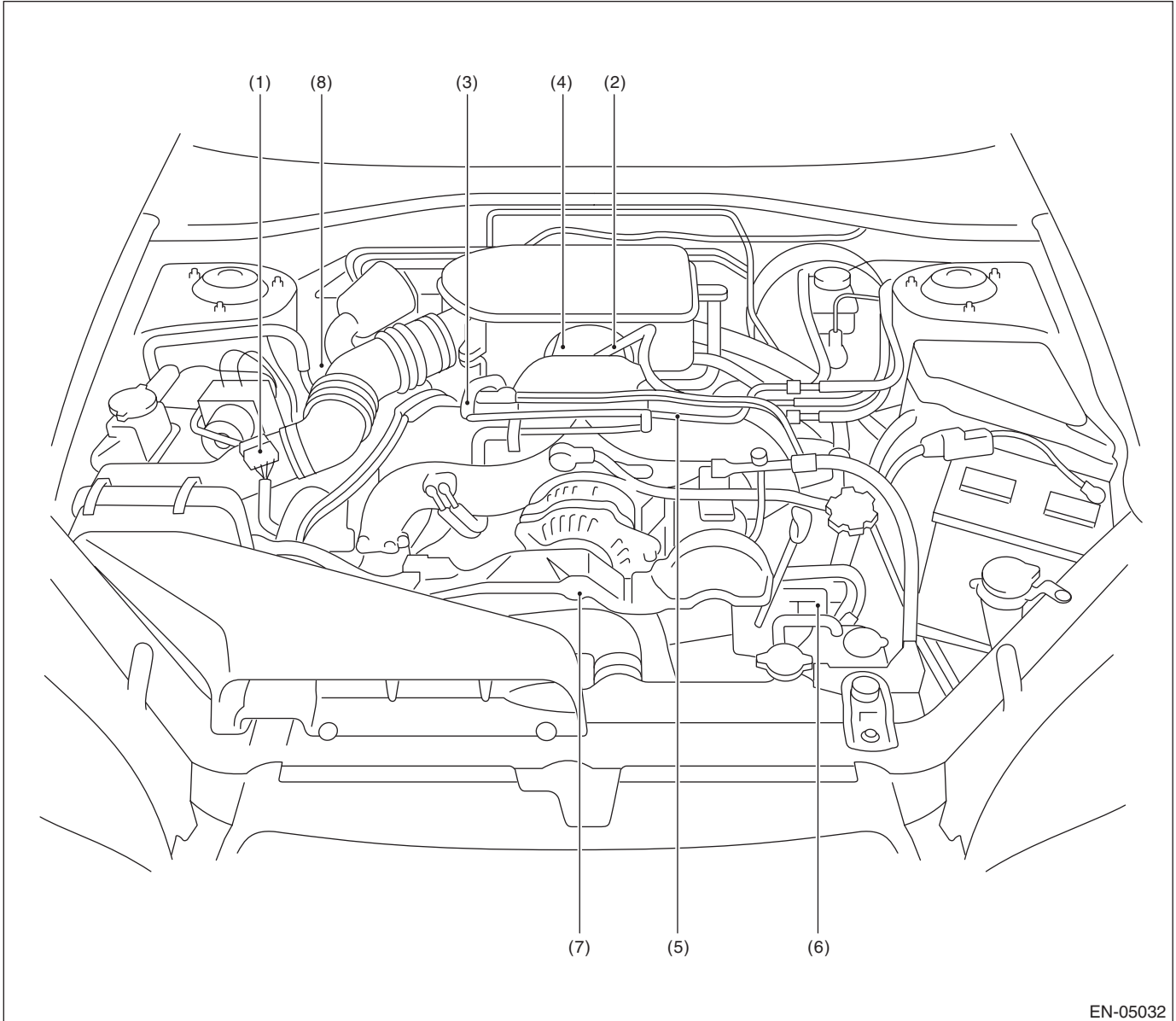
- (1) Engine control module (ECM) (3) Test mode connector (4) Data link connector
 (2) Malfunction indicator light



Electrical Component Location

ENGINE (DIAGNOSTICS)

- Sensor



(1) Mass air flow and intake air temperature sensor

(4) Electronic throttle control

(7) Crankshaft position sensor

(2) Manifold absolute pressure sensor

(5) Knock sensor

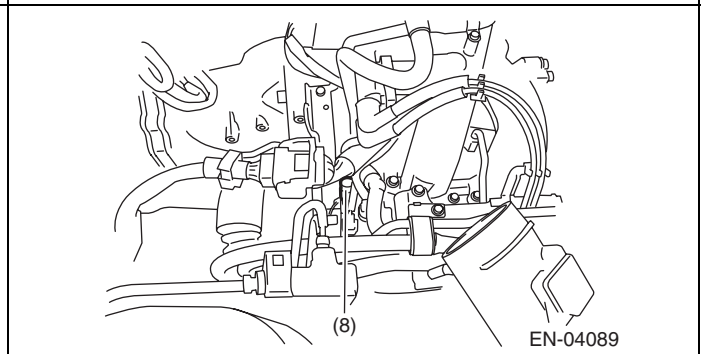
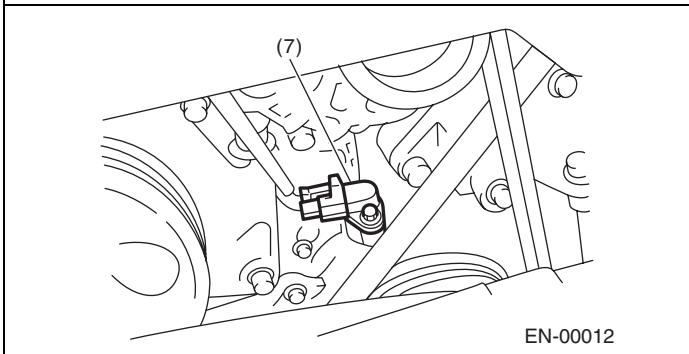
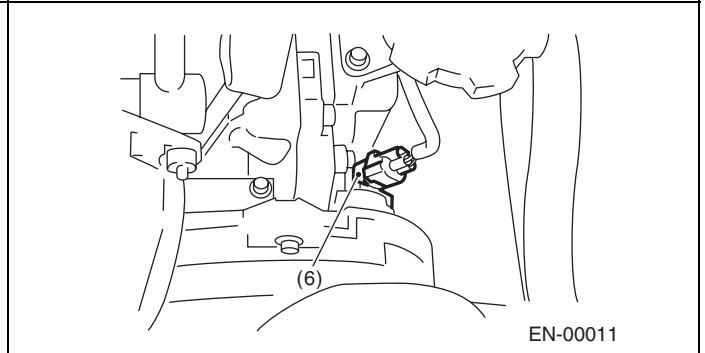
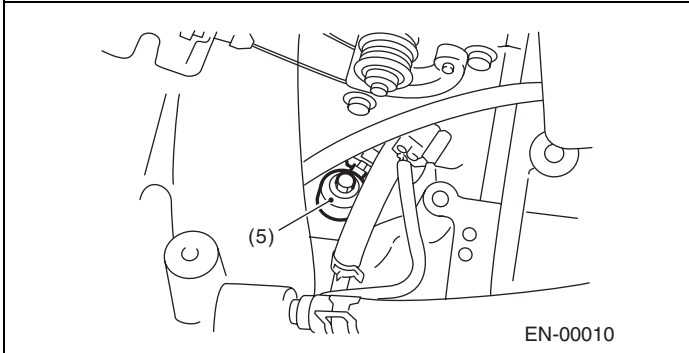
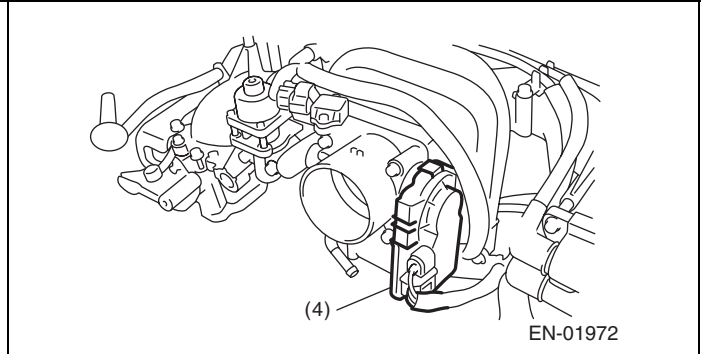
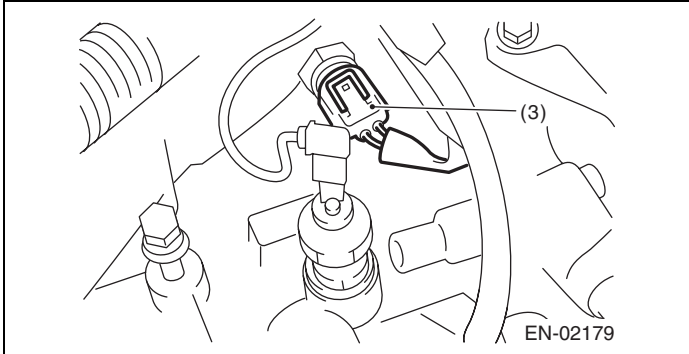
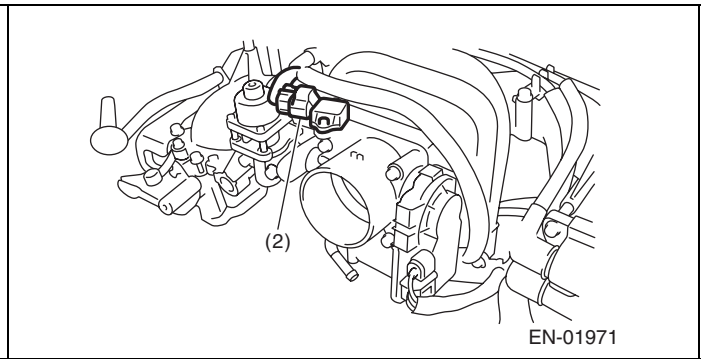
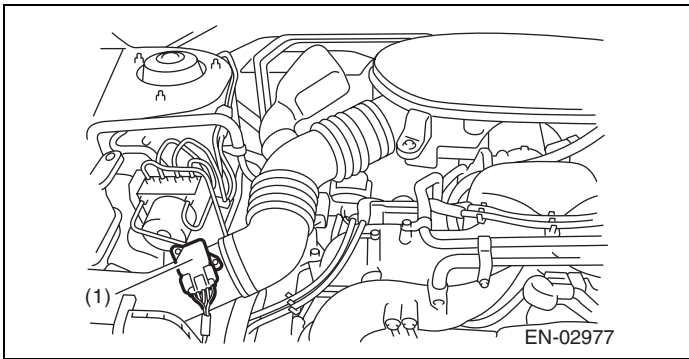
(8) Oil temperature sensor

(3) Engine coolant temperature sensor

(6) Camshaft position sensor

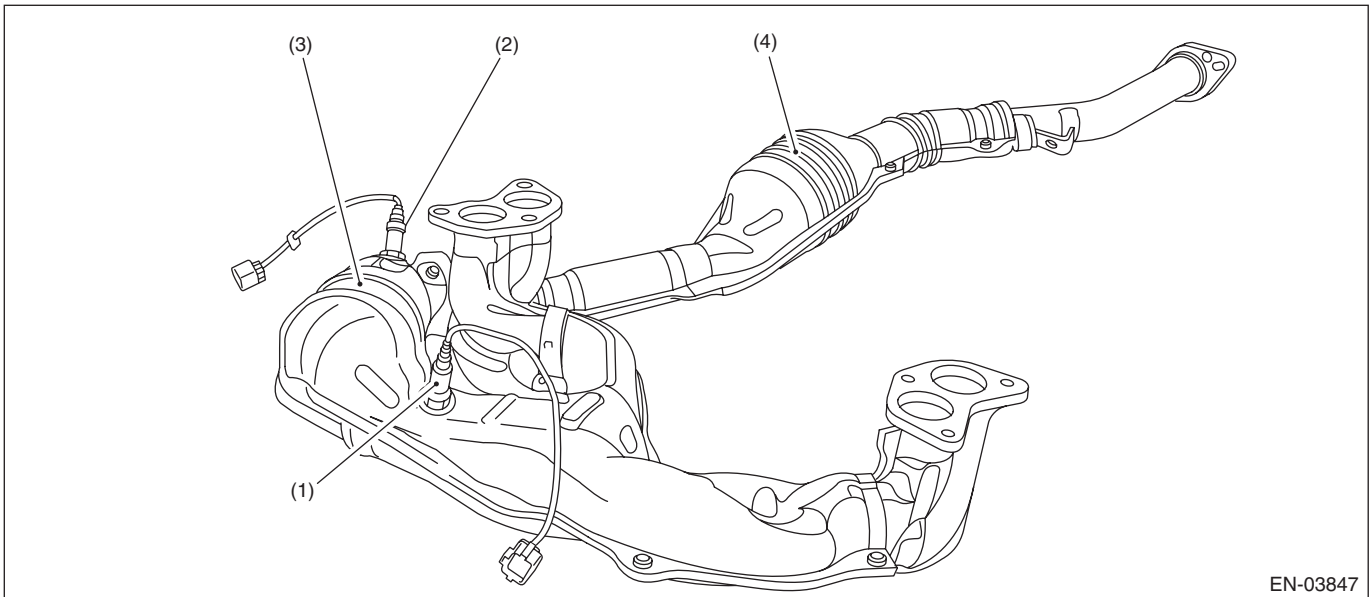
Electrical Component Location

ENGINE (DIAGNOSTICS)

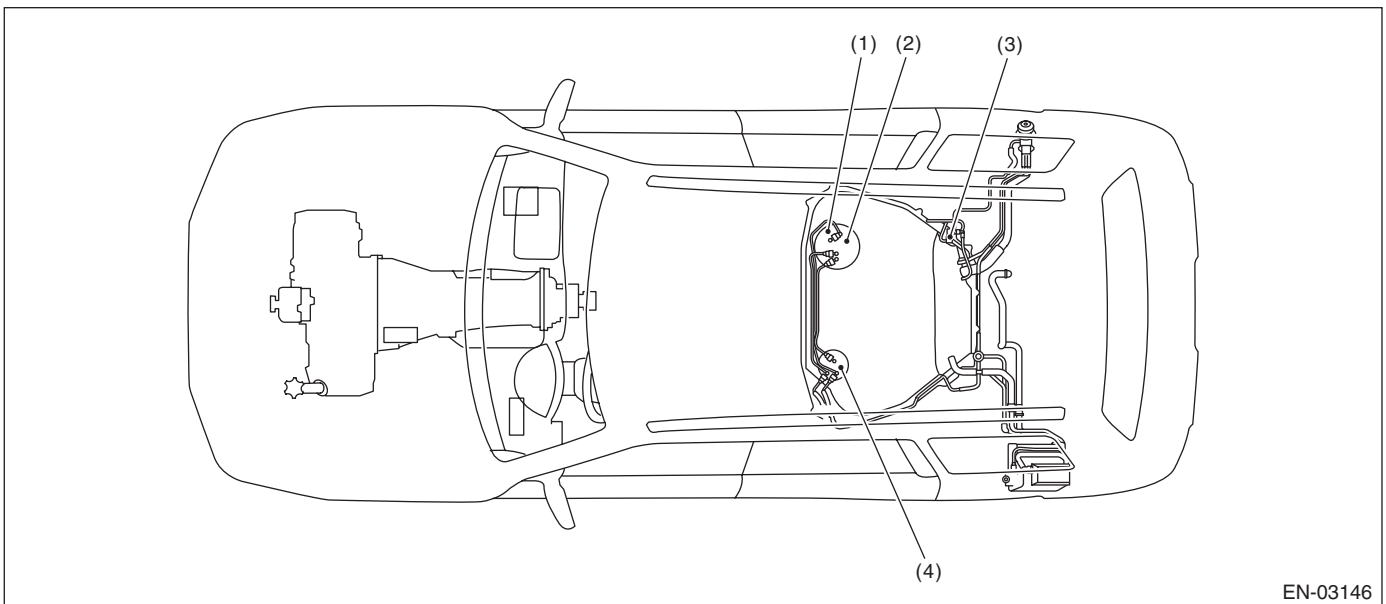


Electrical Component Location

ENGINE (DIAGNOSTICS)



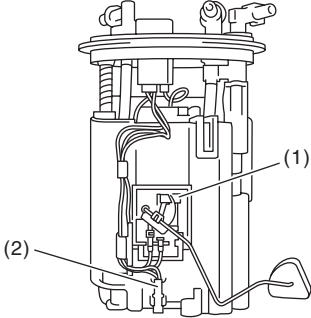
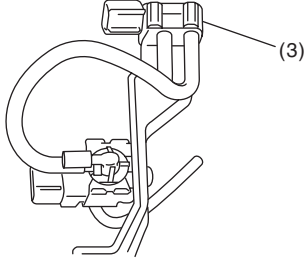
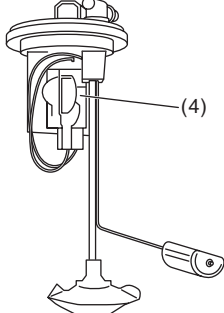
- (1) Front oxygen (A/F) sensor (3) Front catalytic converter (4) Rear catalytic converter
(2) Rear oxygen sensor



- (1) Fuel level sensor (3) Fuel tank pressure sensor (4) Fuel sub level sensor
(2) Fuel temperature sensor

Electrical Component Location

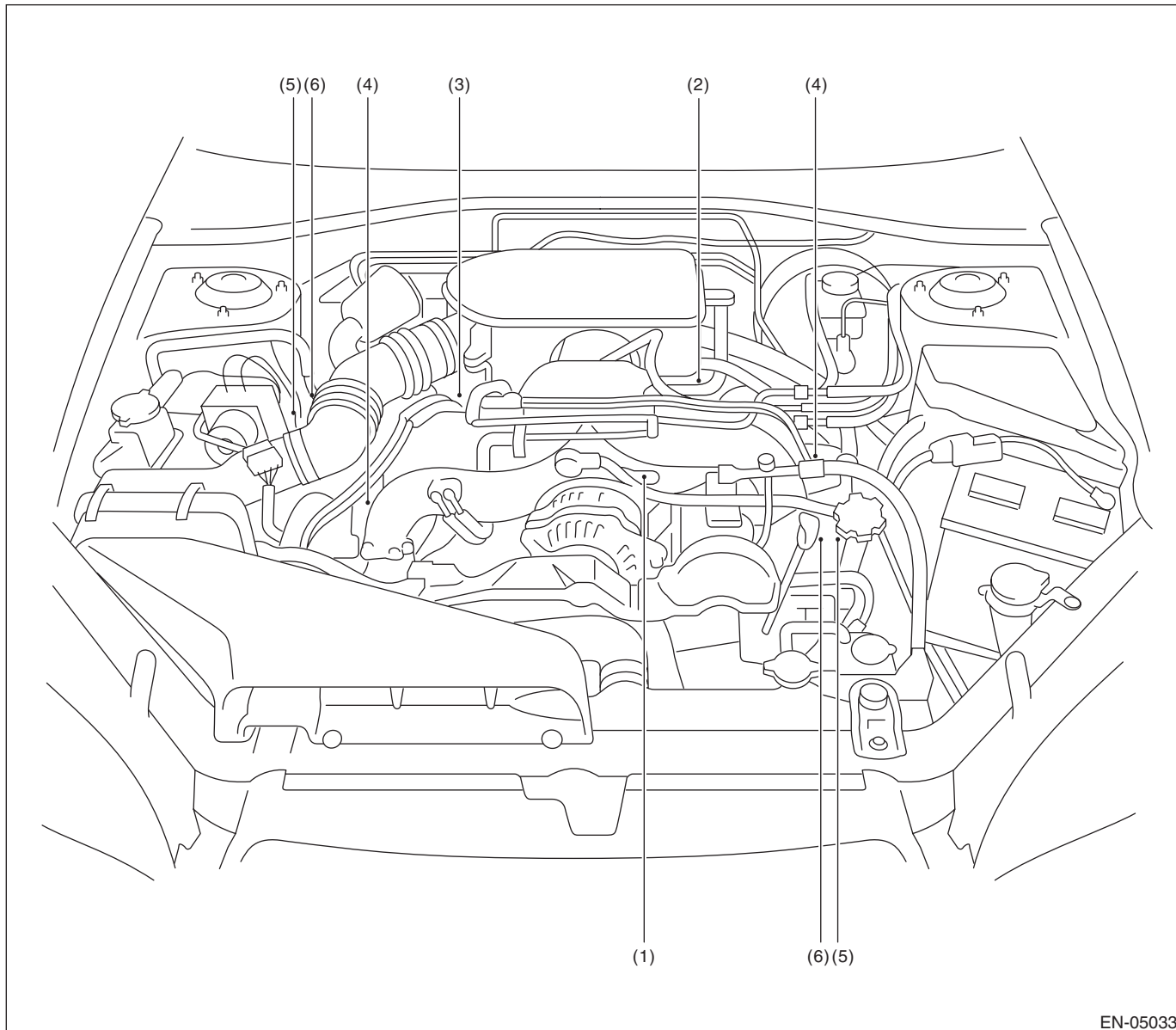
ENGINE (DIAGNOSTICS)

 <p>EN-03147</p>	 <p>EN-03003</p>
 <p>EN-03132</p>	<p>SUBARU.</p>

Electrical Component Location

ENGINE (DIAGNOSTICS)

- Solenoid valve, actuator, emission control system parts and ignition system parts



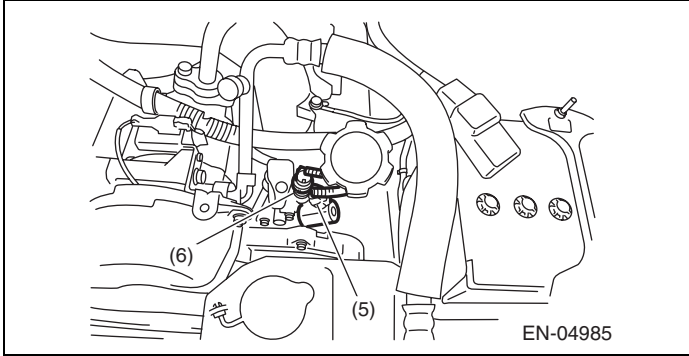
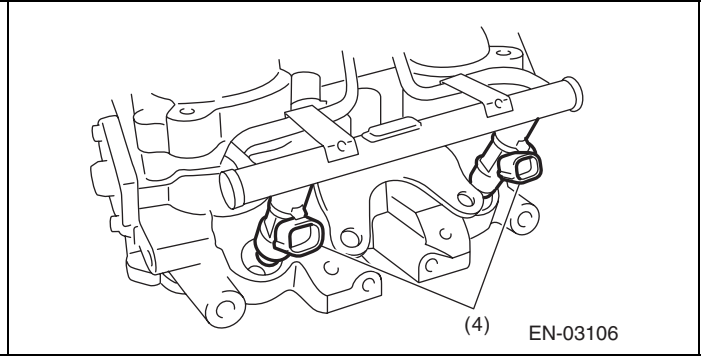
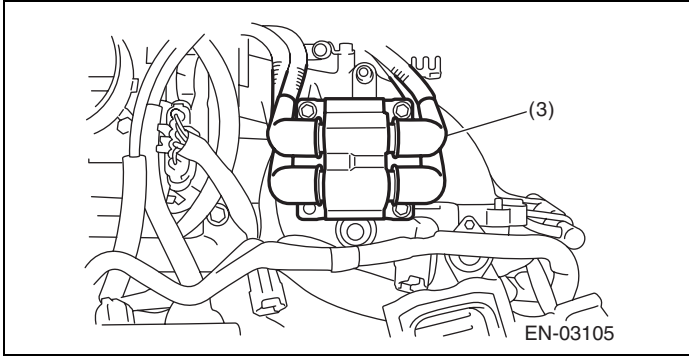
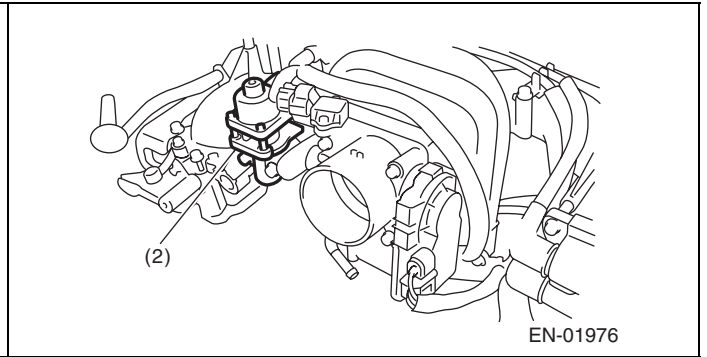
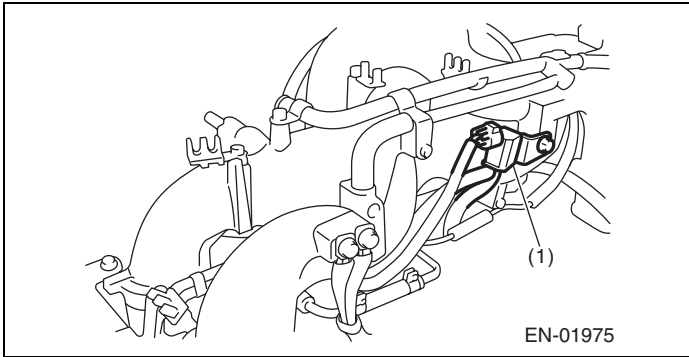
- (1) Purge control solenoid valve
- (2) EGR valve
- (3) Ignition coil and ignitor ASSY

- (4) Fuel injector
- (5) Oil switching solenoid valve

- (6) Variable valve lift diagnosis oil pressure switch

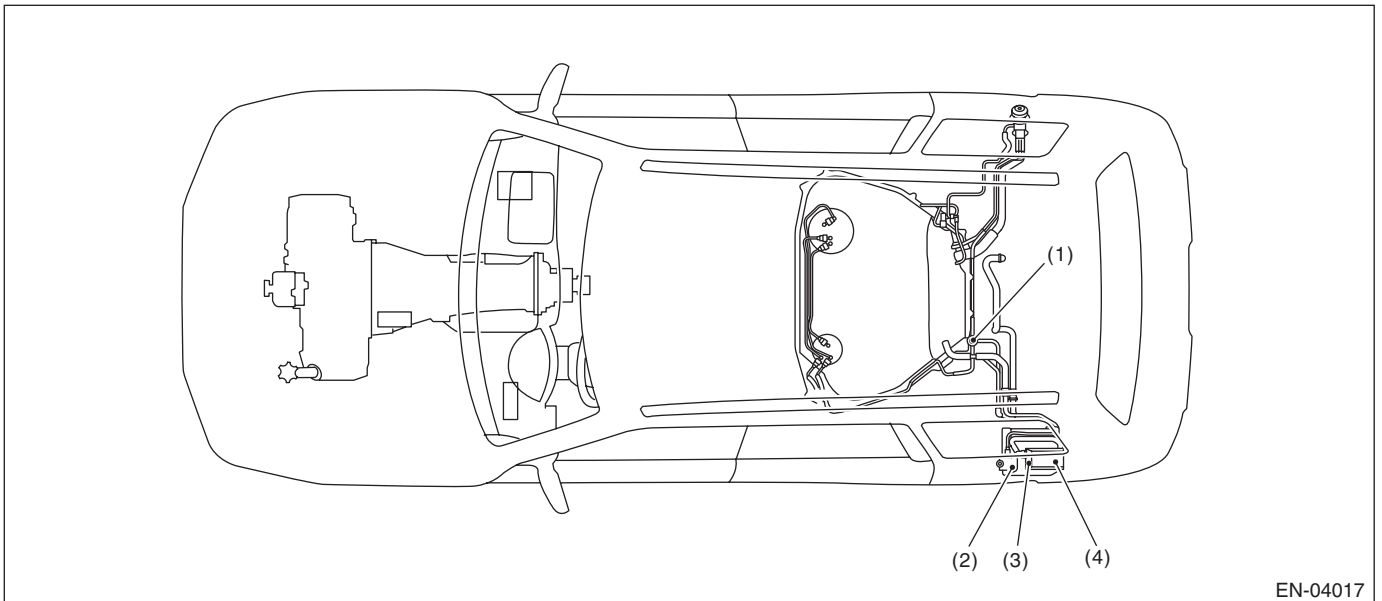
Electrical Component Location

ENGINE (DIAGNOSTICS)



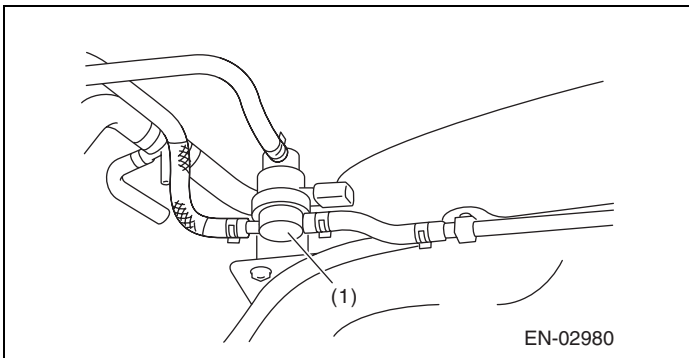
Electrical Component Location

ENGINE (DIAGNOSTICS)

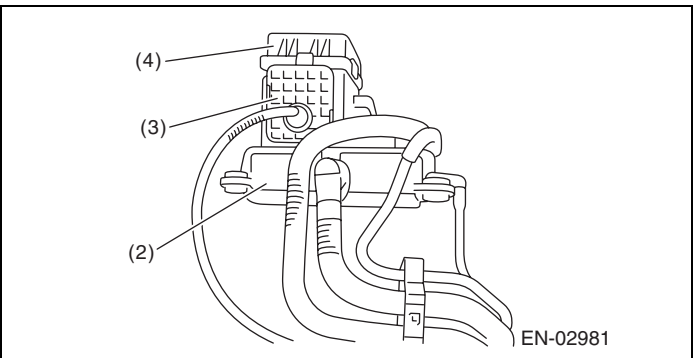


EN-04017

- (1) Pressure control solenoid valve (3) Drain valve (4) Drain filter
(2) Canister



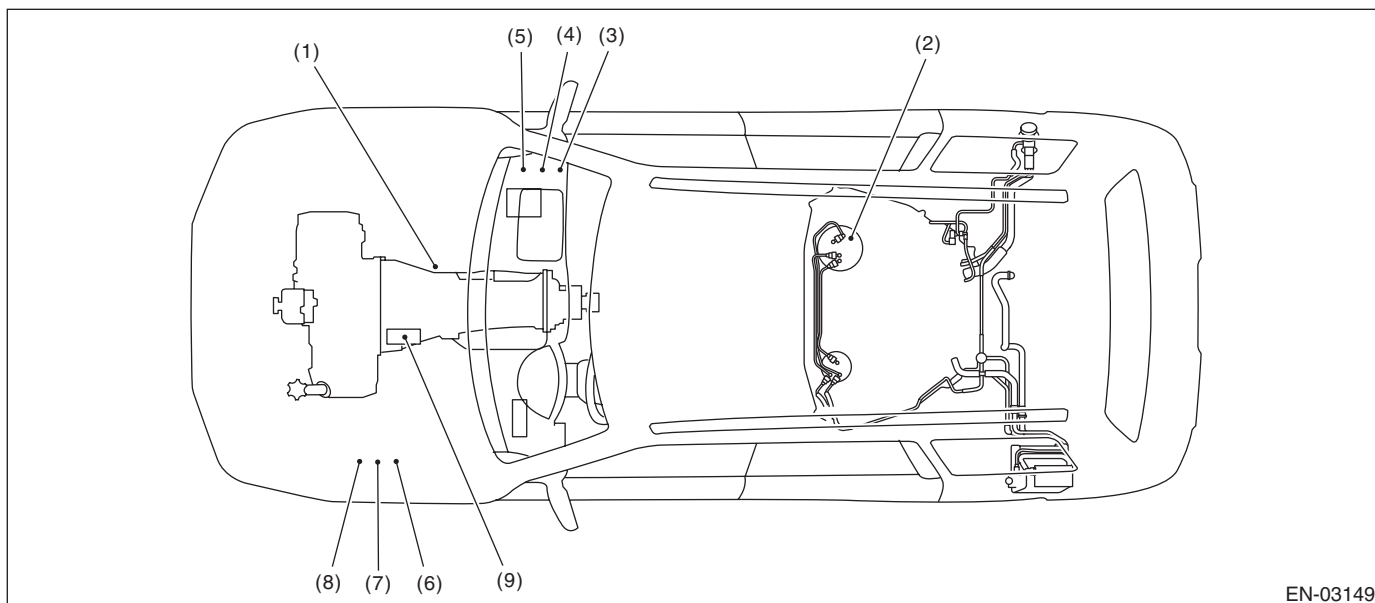
EN-02980



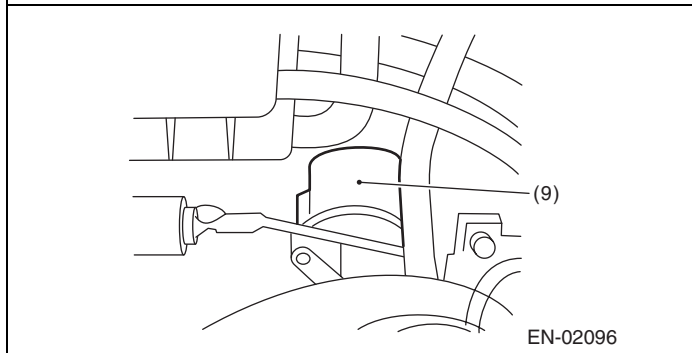
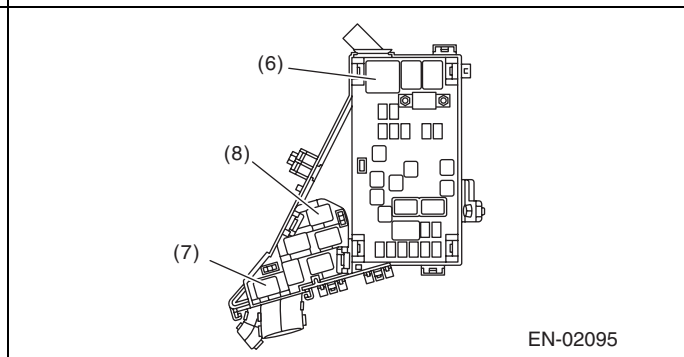
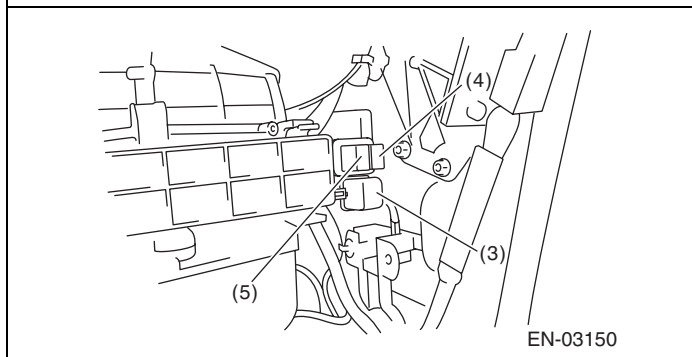
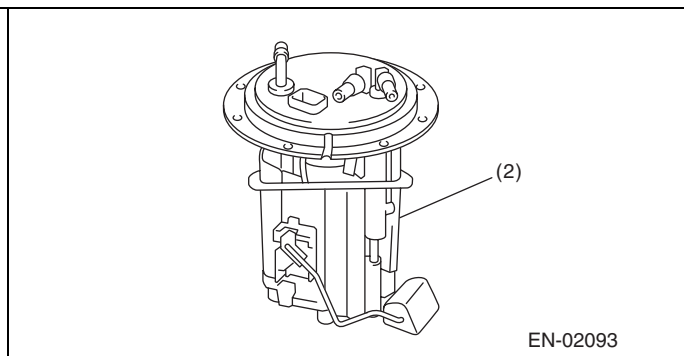
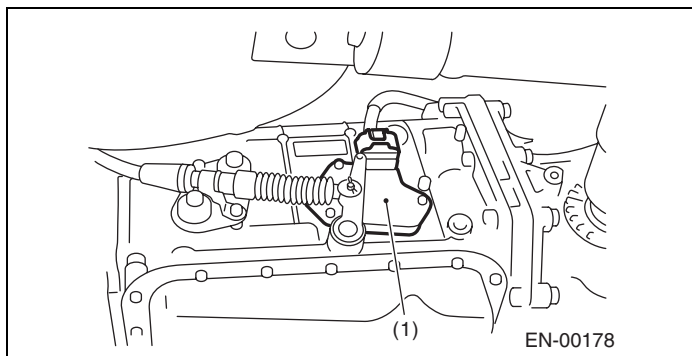
EN-02981

Electrical Component Location

ENGINE (DIAGNOSTICS)



- | | | |
|----------------------|---------------------------------------|-------------------------------|
| (1) Inhibitor switch | (4) Fuel pump relay | (7) Radiator sub fan relay |
| (2) Fuel pump | (5) Electronic throttle control relay | (8) Radiator main fan relay 2 |
| (3) Main relay | (6) Radiator main fan relay 1 | (9) Starter |



SUBARU.