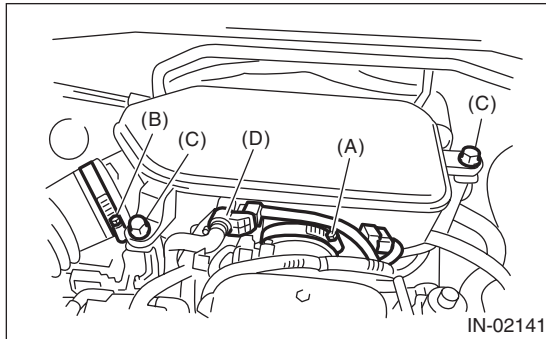


## 4. Air Intake Chamber

### A: REMOVAL

- 1) Loosen the clamp (A) which connects air intake chamber to throttle body.
- 2) Loosen the clamp (B) which connects intake boot to air intake chamber.
- 3) Remove the bolt (C) which secures air intake chamber to the stay.
- 4) Disconnect the connector (D).



- 5) Disconnect the blow-by hoses, and then remove air intake chamber.

### B: INSTALLATION

Install in the reverse order of removal.

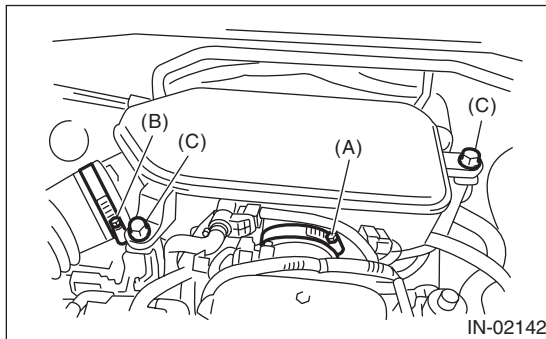
#### *Tightening torque:*

**Clamp (A), (B)**

**3.0 N·m (0.3 kgf-m, 2.2 ft-lb)**

**Bolt (C)**

**6.5 N·m (0.66 kgf-m, 4.8 ft-lb)**



### C: INSPECTION

- 1) Check for cracks or loose connections.
- 2) Inspect that no foreign objects are mixed in the air intake chamber.