

15. Timing Belt

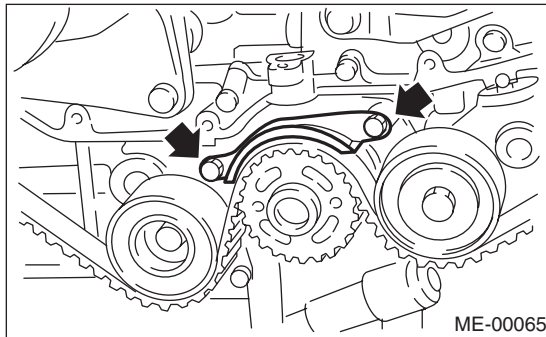
A: REMOVAL

NOTE:

Perform the work with the engine installed to body when replacing a single part. For operation procedures, refer to "Timing Belt" in the PM section. <Ref. to PM-16, Timing Belt.>

1. TIMING BELT

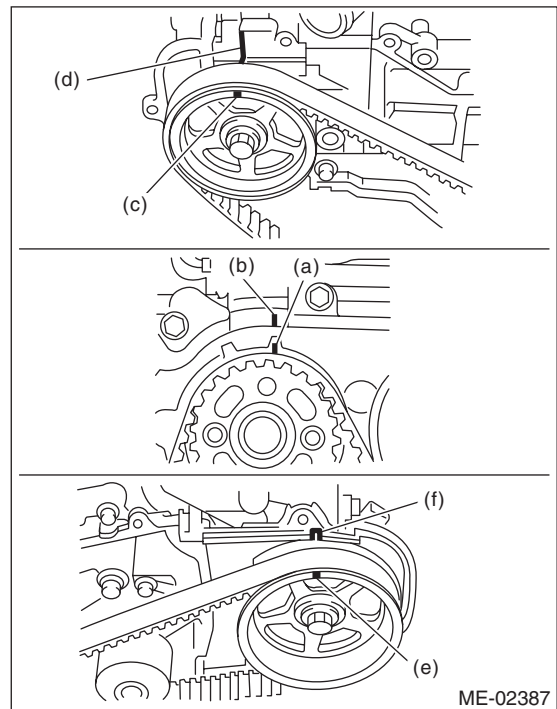
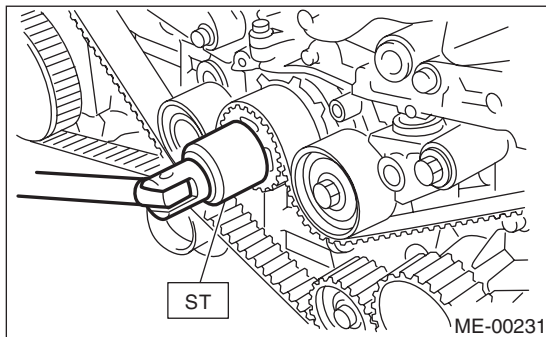
- 1) Remove the V-belts. <Ref. to ME(H4SO)-37, REMOVAL, V-belt.>
- 2) Remove the crank pulley. <Ref. to ME(H4SO)-39, REMOVAL, Crank Pulley.>
- 3) Remove the timing belt cover. <Ref. to ME(H4SO)-40, REMOVAL, Timing Belt Cover.>
- 4) Remove the timing belt guide. (MT model)



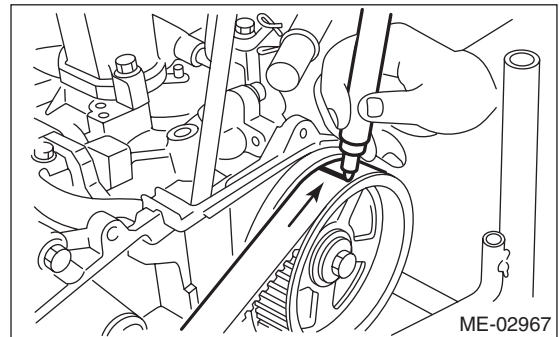
5) If the alignment mark (a) or arrow mark (which indicates rotation direction) on the timing belt has faded away, put new marks on the belt before removing as shown in procedures below.

- (1) Use the ST to turn crankshaft. Align the mark (a) of sprocket to the cylinder block notch (b), and then ensure the right side cam sprocket mark (c), cam cap and cylinder head matching surface (d) or left side cam sprocket mark (e), timing belt cover notch (f) are properly adjusted.

ST 499987500 CRANKSHAFT SOCKET



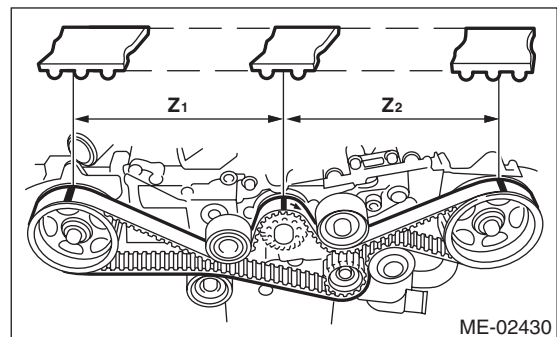
(2) Using white paint, put an alignment mark or an arrow mark on timing belts in relation to the crank sprocket and cam sprockets.



Specified data:

Z₁: 46.8 teeth

Z₂: 43.7 teeth

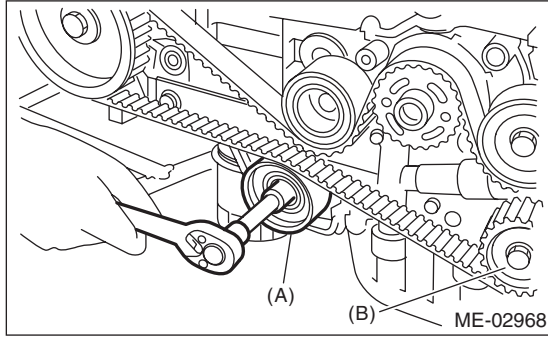


6) Remove the belt idler (No. 2).

Timing Belt

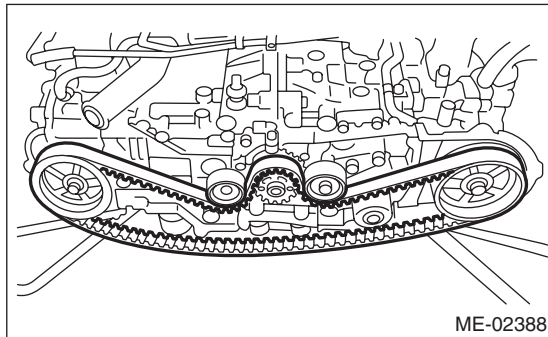
MECHANICAL

7) Remove the belt idler No. 2.



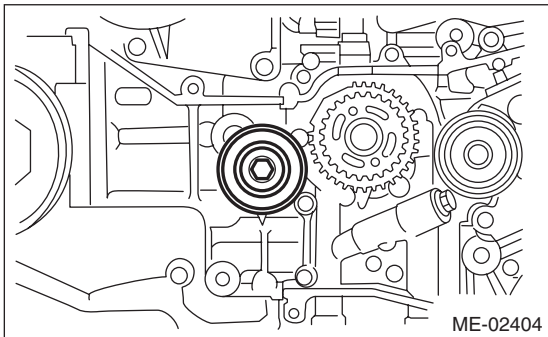
- (A) Belt idler (No. 2)
- (B) Belt idler No. 2

8) Remove the timing belt.

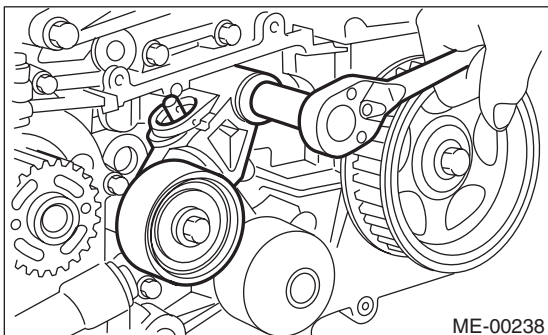


2. BELT IDLER AND AUTOMATIC BELT TENSION ADJUSTER ASSEMBLY

1) Remove the belt idler (No. 1).



2) Remove the automatic belt tension adjuster assembly.



B: INSTALLATION

1. AUTOMATIC BELT TENSION ADJUSTER ASSEMBLY AND BELT IDLER

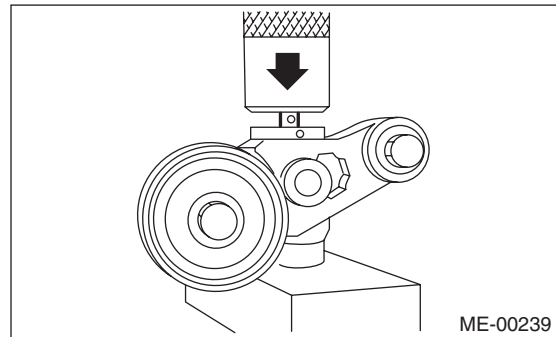
1) Prepare for installation of automatic belt tension adjuster assembly.

CAUTION:

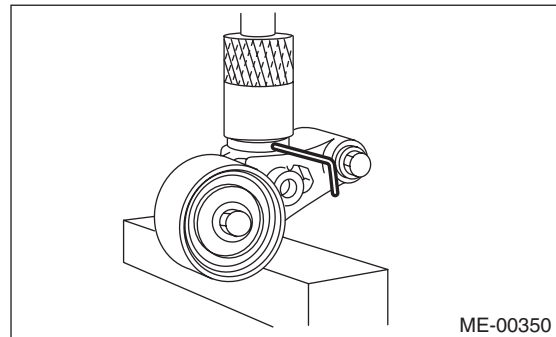
- Always use a vertical type pressing tool to move the adjuster rod down.
- Do not use a lateral type vise.
- Push the adjuster rod vertically.
- Press-in the push adjuster rod gradually taking three minutes or more.
- Do not allow press pressure to exceed 9,807 N (1,000 kgf, 2,205 lb).
- Push in the adjuster rod to the end face of the cylinder. Do not press the adjuster rod into cylinder. Doing so may damage the cylinder.
- Do not release the press pressure until stopper pin is completely inserted.

(1) Attach the automatic belt tension adjuster assembly to vertical pressing tool.

(2) Slowly move the adjuster rod down with a pressure of 165 N (16.8 kgf, 37.1 lb) or more until the adjuster rod is aligned with the stopper pin hole in the cylinder.



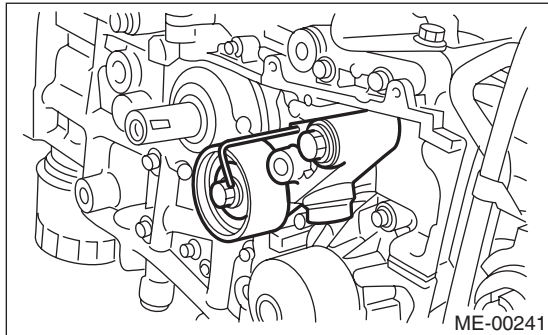
(3) With a 2 mm (0.08 in) dia. stopper pin or a 2 mm (0.08 in) (nominal) dia. hex wrench inserted into the stopper pin hole in cylinder, secure the adjuster rod.



2) Install the automatic belt tension adjuster assembly.

Tightening torque:

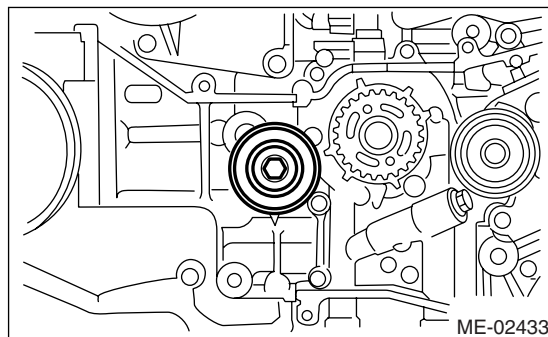
39 N·m (4.0 kgf·m, 28.9 ft·lb)



3) Install the belt idler (No. 1).

Tightening torque:

39 N·m (4.0 kgf·m, 28.9 ft·lb)



2. TIMING BELT

1) Prepare for installation of the automatic belt tension adjuster assembly. <Ref. to ME(H4SO)-42, AUTOMATIC BELT TENSION ADJUSTER ASSEMBLY AND BELT IDLER, INSTALLATION, Timing Belt.>

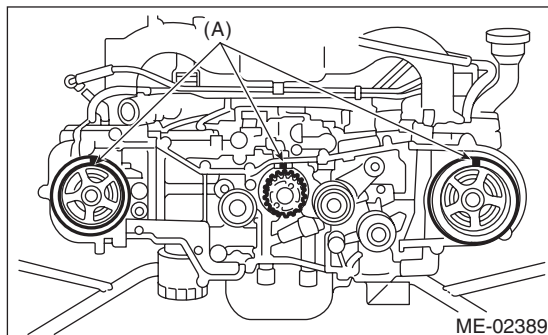
2) Installation of timing belt:

(1) Turn the cam sprocket No. 1 and No. 2 using an ST, and position the alignment marks (A) on each at the highest positions.

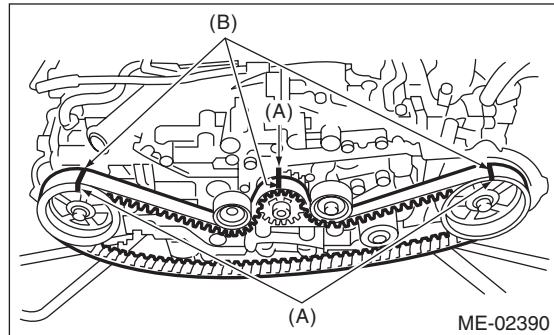
ST1 18231AA010 CAM SPROCKET WRENCH

NOTE:

CAM SPROCKET WRENCH (499207100) can also be used.



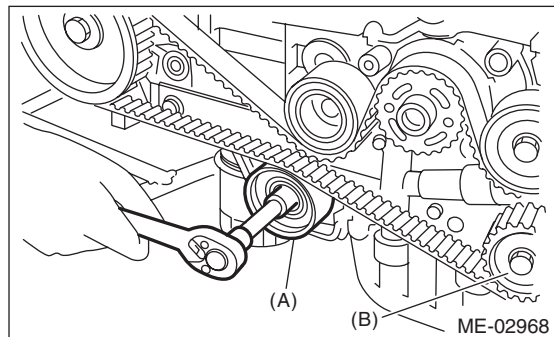
(2) While aligning the alignment mark (B) on timing belt with the mark (A) on sprockets, position the timing belt properly.



3) Install the belt idlers (A) and (B), with (B) first.

Tightening torque:

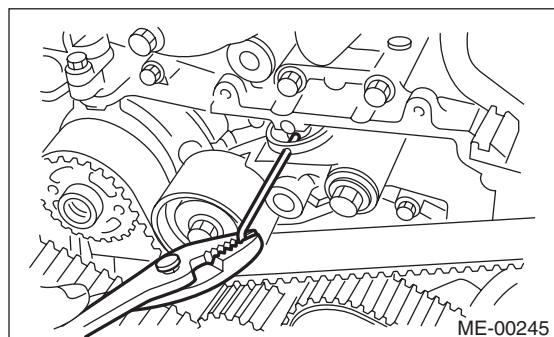
39 N·m (4.0 kgf·m, 28.9 ft·lb)



(A) Belt idler (No. 2)

(B) Belt idler No. 2

4) After ensuring the marks on timing belt and camshaft sprockets are aligned, remove the stopper pin from belt tension adjuster.

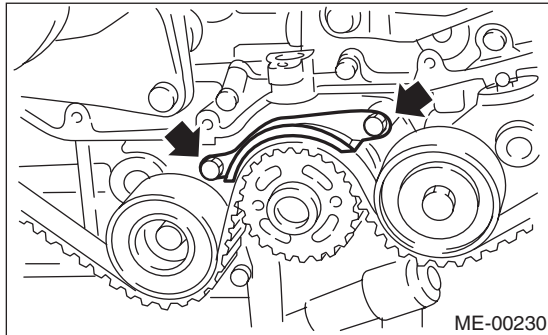


Timing Belt

MECHANICAL

5) Install the timing belt guide. (MT model)

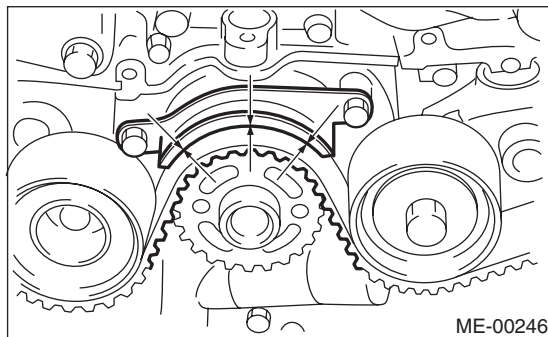
- (1) Temporarily tighten the bolts mounting the timing belt guide.



- (2) Check and adjust the clearance between timing belt and timing belt guide by using thickness gauge.

Clearance:

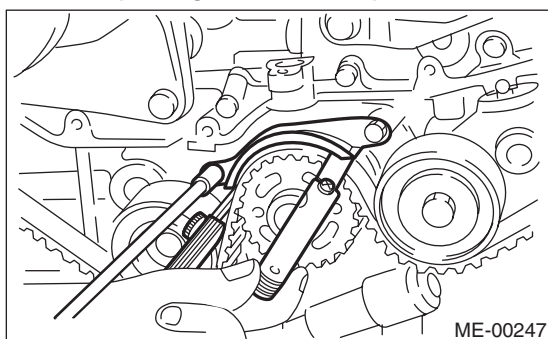
1.0 ± 0.5 mm (0.039 ± 0.020 in)



- (3) Tighten the bolts mounting the timing belt guide.

Tightening torque:

9.75 N·m (1.0 kgf·m, 7.2 ft·lb)



6) Install the timing belt cover.

<Ref. to ME(H4SO)-40, INSTALLATION, Timing Belt Cover.>

7) Install the crank pulley. <Ref. to ME(H4SO)-39, INSTALLATION, Crank Pulley.>

8) Install the V-belts. <Ref. to ME(H4SO)-37, INSTALLATION, V-belt.>

C: INSPECTION

1. TIMING BELT

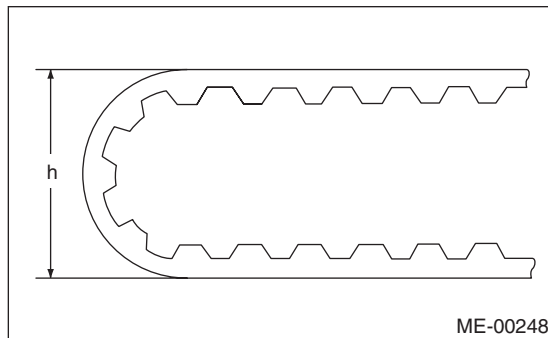
- 1) Check the timing belt teeth for breaks, cracks or wear. If any fault is found, replace the belt.
- 2) Check the condition of the back surface of belt. If cracks are found, replace the belt.

CAUTION:

- Be careful not to let oil, grease or coolant contact the belt. Remove quickly and thoroughly if this happens.
- Do not bend the timing belt sharply.

In radial diameter h :

60 mm (2.36 in) or more



2. AUTOMATIC BELT TENSION ADJUSTER

- 1) Visually check the oil seals for leaks, and rod ends for abnormal wear and scratches. If necessary, replace the automatic belt tension adjuster assembly.

NOTE:

Slight traces of oil at rod's oil seal does not indicate a problem.

- 2) Check that the adjuster rod does not move when a pressure of 165 N (16.8 kgf, 37.1 lb) is applied to it. This is to check adjuster rod stiffness.
- 3) If the adjuster rod is not stiff and moves freely when applying 165 N (16.8 kgf, 37.1 lb), check it using the following procedures:
 - (1) Slowly press the adjuster rod down to the end surface of cylinder. Repeat this operation two to three times.
 - (2) With the adjuster rod moved all the way up, apply a pressure of 165 N (16.8 kgf, 37.1 lb) to it. Check the adjuster rod movement.

- (3) If the adjuster rod is not stiff and moves down, replace the automatic belt tension adjuster assembly with a new part.

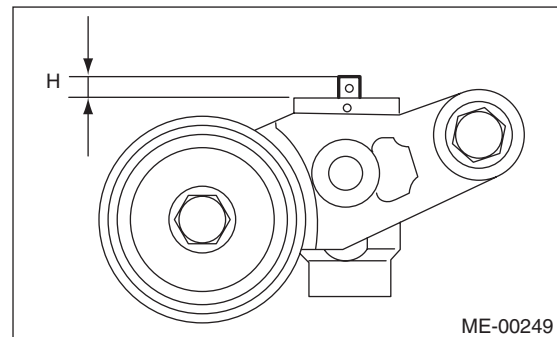
CAUTION:

- Always use a vertical type pressing tool to move the adjuster rod down.
- Do not use a lateral type vise.
- Push the adjuster rod vertically.
- Press the adjuster rod gradually taking three minutes or more.
- Do not allow press pressure to exceed 9,807 N (1,000 kgf, 2,205 lb).
- Push in the adjuster rod to the end face of the cylinder. Do not press the adjuster rod into cylinder. If this instruction is not followed, this may damage the cylinder.

- 4) Measure the amount of rod protrusion beyond the body. If it is not within specified range, replace with new part.

Amount of rod protrusion H :

5.2 — 6.2 mm (0.204 — 0.244 in)



3. BELT TENSION PULLEY

- 1) Check the mating surfaces of timing belt and contact point of adjuster rod for abnormal wear or scratches. Replace the automatic belt tension adjuster assembly if faulty.
- 2) Check the belt tension pulley for smooth rotation. Replace if noise or excessive play occurs.
- 3) Check the belt tension pulley for grease leakage.

4. BELT IDLER

- 1) Check the belt idler for smooth rotation. Replace if noise or excessive play occurs.
- 2) Check the outer contacting surfaces of idler pulley for abnormal wear and scratches.
- 3) Check the belt idler for grease leakage.