

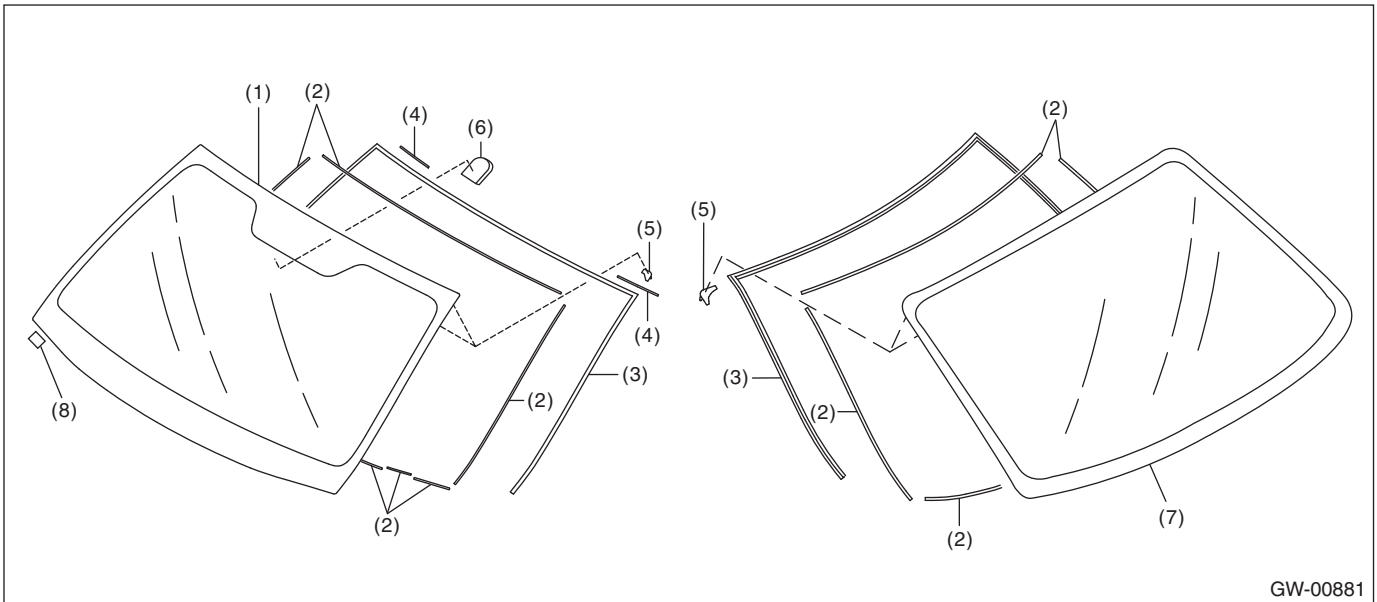
General Description

GLASS/WINDOWS/MIRRORS

1. General Description

A: COMPONENT

1. FIXED GLASS (SEDAN MODEL)



(1) Windshield glass

(2) Dam rubber

(3) Molding

(4) Seal upper side

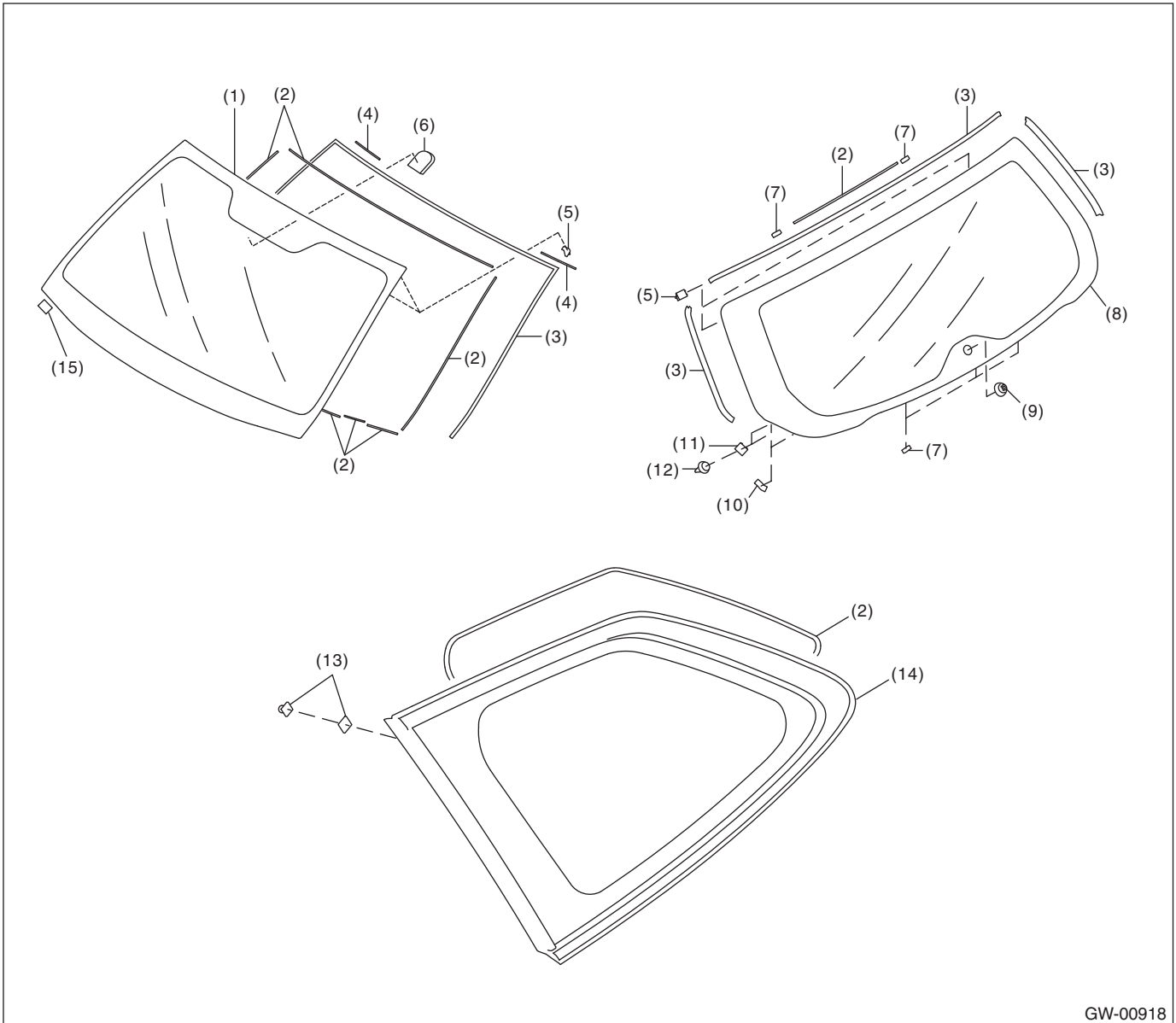
(5) Locating pin

(6) Rearview mirror mount

(7) Rear window glass

(8) Seal A

2. FIXED GLASS (OUTBACK MODEL)

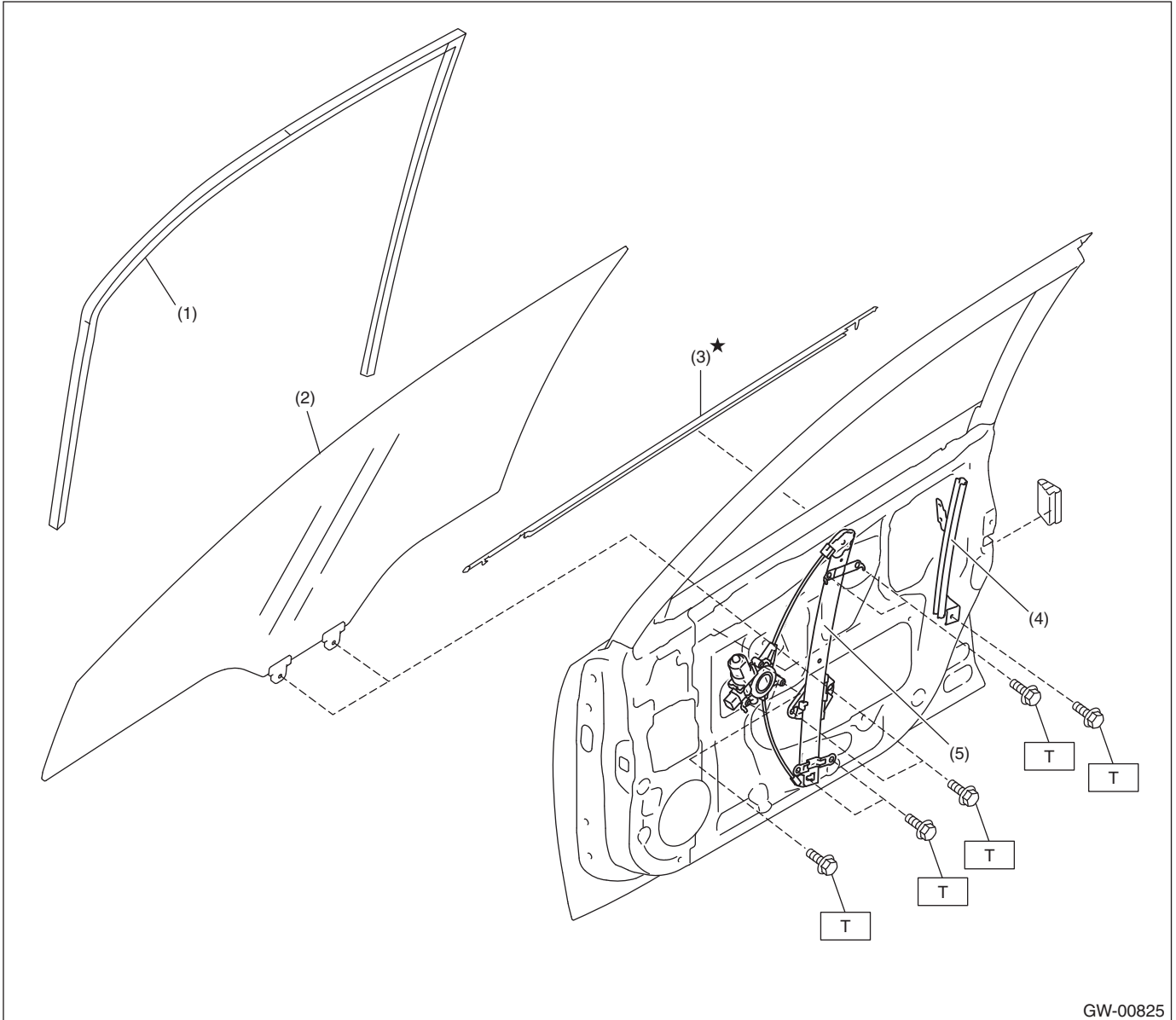


- | | | |
|----------------------|---------------------------|-------------------------|
| (1) Windshield glass | (6) Rearview mirror mount | (11) HOLDER |
| (2) Dam rubber | (7) SPACER | (12) Clip |
| (3) Molding | (8) Rear gate glass | (13) Fastener |
| (4) Seal upper side | (9) Pivot | (14) Rear quarter glass |
| (5) Locating pin | (10) EPT sealer | (15) Seal A |

General Description

GLASS/WINDOWS/MIRRORS

3. FRONT DOOR GLASS

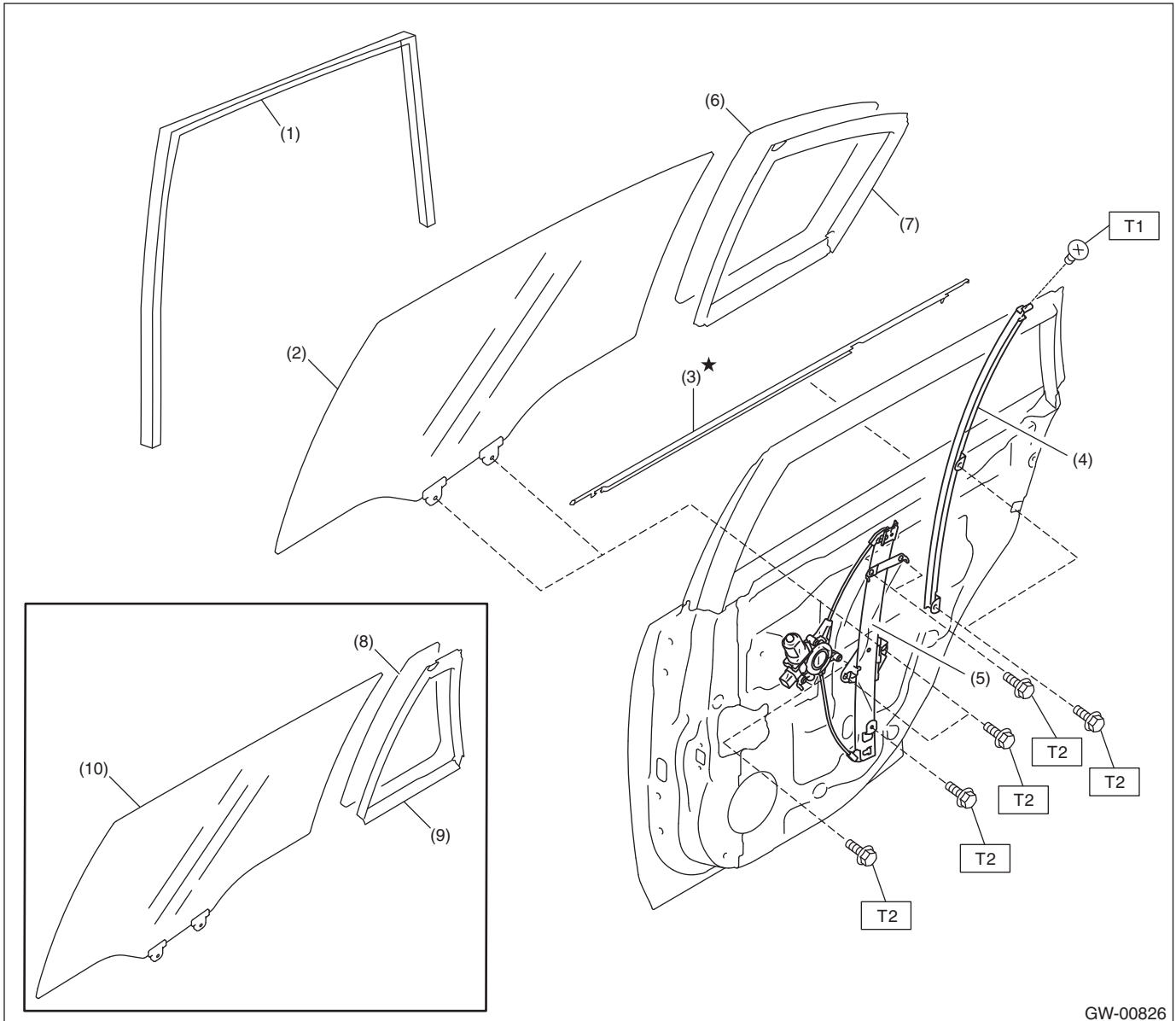


- (1) Glass run rubber
- (2) FRONT DOOR GLASS
- (3) Weather strip outer
- (4) Door sash
- (5) Regulator and motor ASSY

Tightening torque: N·m (kgf·m, ft·lb)

T: 7.5 (0.76, 5.5)

4. REAR DOOR GLASS



GW-00826

- | | |
|-----------------------------------|---------------------------------------|
| (1) Glass run rubber | (6) Partition glass (Sedan model) |
| (2) Rear door glass (Sedan model) | (7) Partition molding (Sedan model) |
| (3) Weather strip outer | (8) Partition glass (OUTBACK model) |
| (4) Door sash | (9) Partition molding (OUTBACK model) |
| (5) Regulator and motor ASSY | (10) Rear door glass (OUTBACK model) |

Tightening torque: N·m (kgf·m, ft·lb)

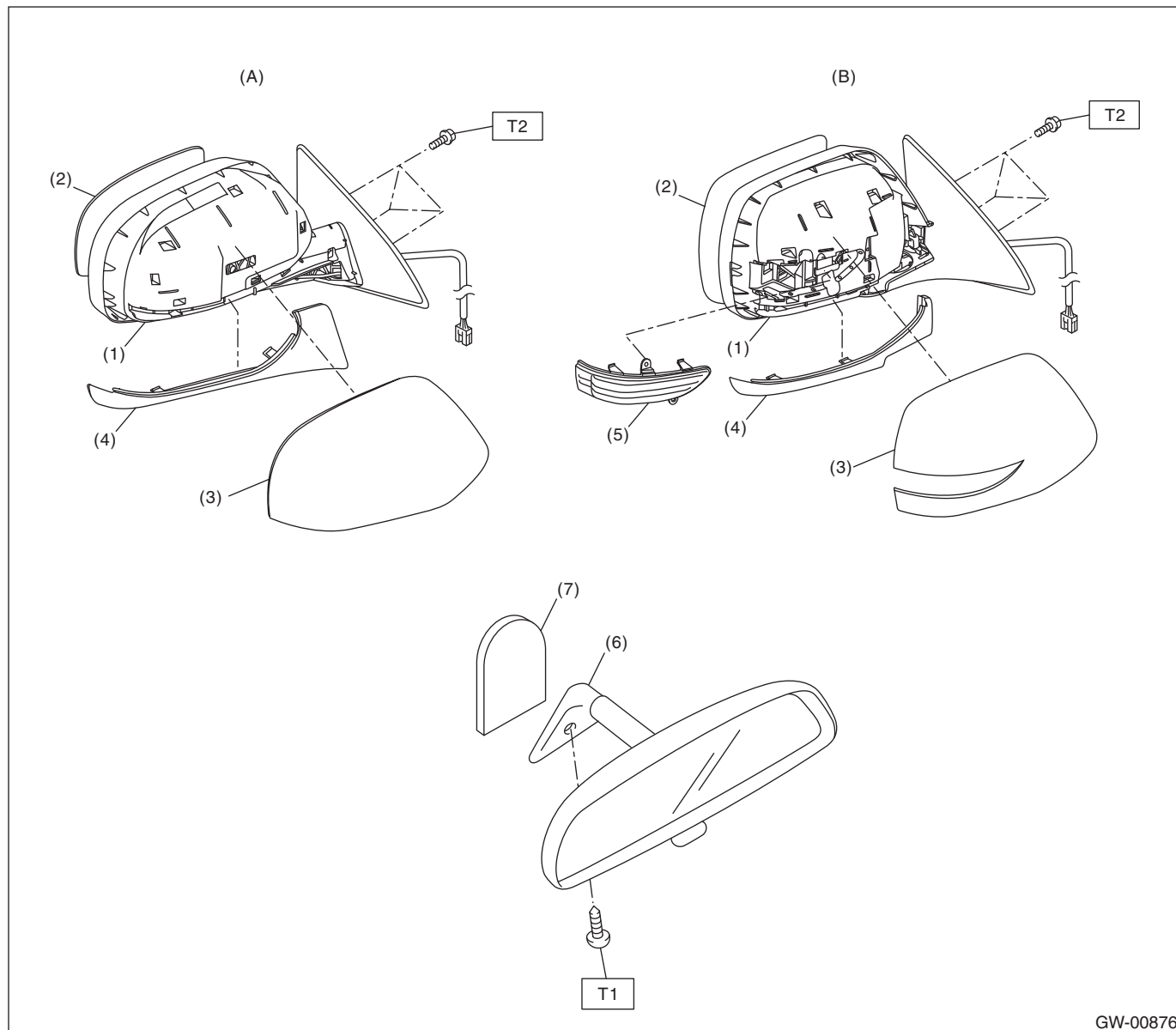
T1: 2.2 (0.22, 1.6)

T2: 7.5 (0.76, 5.5)

General Description

GLASS/WINDOWS/MIRRORS

5. MIRROR



GW-00876

(A) Model without retractable mirror

(B) Model with retractable mirror

(1) Outer mirror

(5) Side turn signal light

(2) MIRROR

(6) Rearview mirror

(3) Scalp cap

(7) Mount

(4) Outer mirror lower cover

Tightening torque: N·m (kgf·m, ft·lb)

T1: 1.9 (0.19, 1.4)

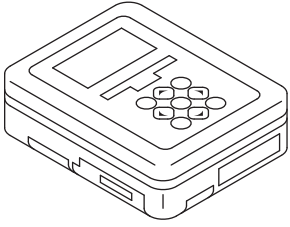
T2: 4.5 (0.46, 3.3)

B: CAUTION

- When electrical connectors are disconnected, always conduct an operational check after connecting them again.
- Avoid impact and damage to the glass.

C: PREPARATION TOOL

1. SPECIAL TOOL

ILLUSTRATION	TOOL NUMBER	DESCRIPTION	REMARKS
 <p style="text-align: center;">ST1B022XU0</p>	1B022XU0	SUBARU SELECT MONITOR III KIT	Used for setting of each function and trouble-shooting for electrical system.

2. GENERAL TOOL

TOOL NAME	REMARKS
Circuit tester	Used for checking voltage and continuity.
Piano wire	Used for removing the window glass.
Cutter knife	Used for removing the window glass.
Windshield glass knife	Used for removing the window glass.
TORX® T20	Used to remove and install the rearview mirror.