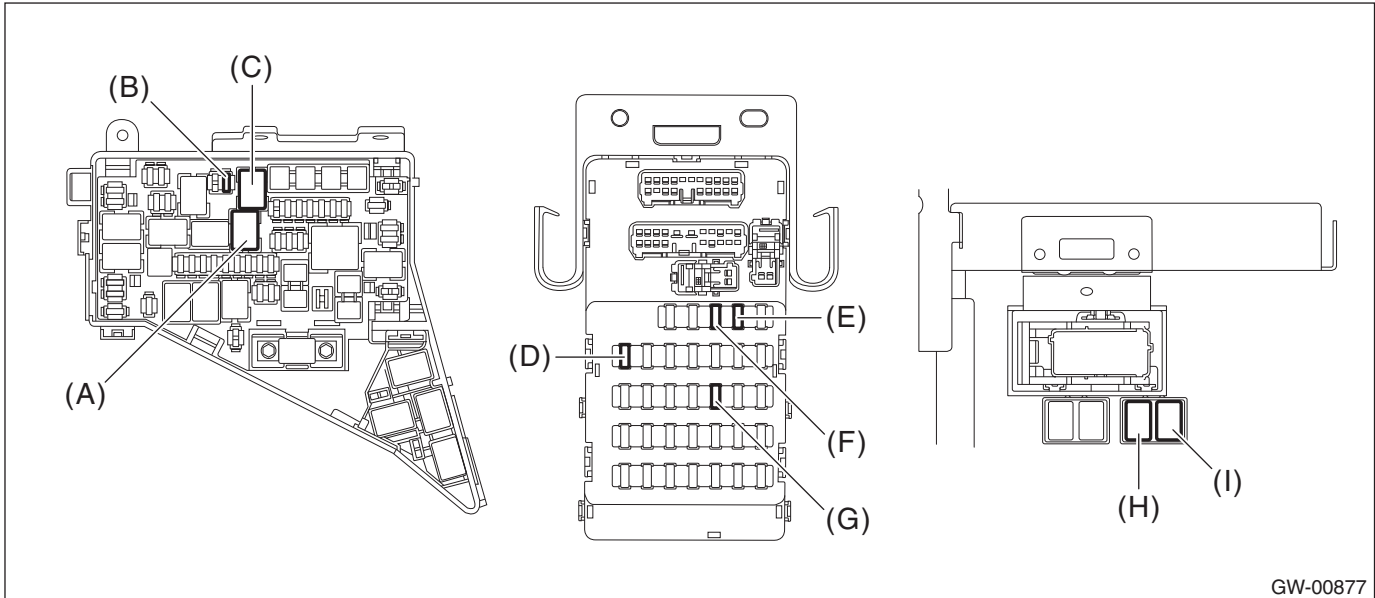


Relay and Fuse

GLASS/WINDOWS/MIRRORS

2. Relay and Fuse

A: LOCATION



GW-00877

Main Fuse Box	Power window relay	(A)
	Fuse 25 A (rear defogger)	(B)
	Rear defogger relay	(C)
Relay & fuse box	Fuse 7.5 A (remote control mirror)	(D)
	Fuse 7.5 A (wiper deicer)	(E)
	Fuse 20 A (power window)	(F)
	Fuse 15 A (wiper deicer, remote control mirror)	(G)
Relay holder	Wiper deicer relay	(H)
	Mirror heater relay	(I)

B: INSPECTION

1. CHECK FUSE.

- 1) Remove the fuse and check visually.
- 2) If the fuse is blown out, replace the fuse.

2. CHECK RELAY

- 1) Check the resistance between relay terminals.

Terminal No.	Inspection conditions	Specifica-tion	Circuit
1 — 2	Always	1 M Ω or more	
1 — 2	Apply battery voltage to the terminals between 4 — 3	Less than 1 Ω	

SR-00180

- 2) Replace the relay if it is found defective.