

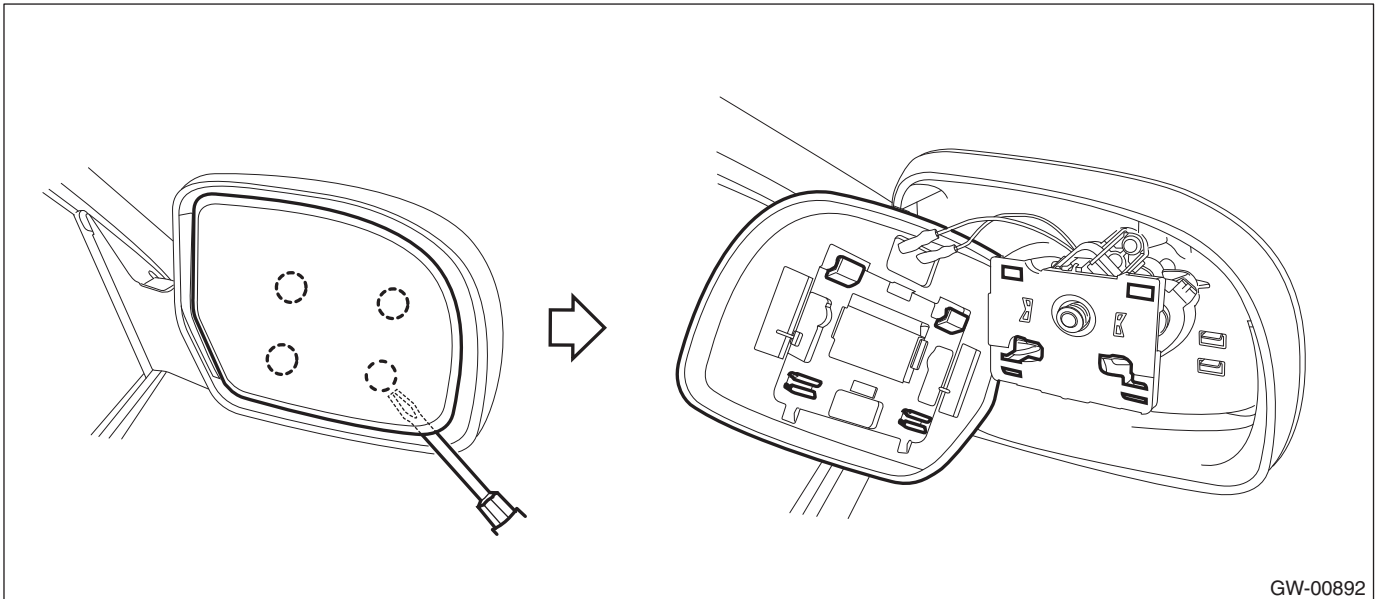
## 8. Scalp Cap

### A: REPLACEMENT

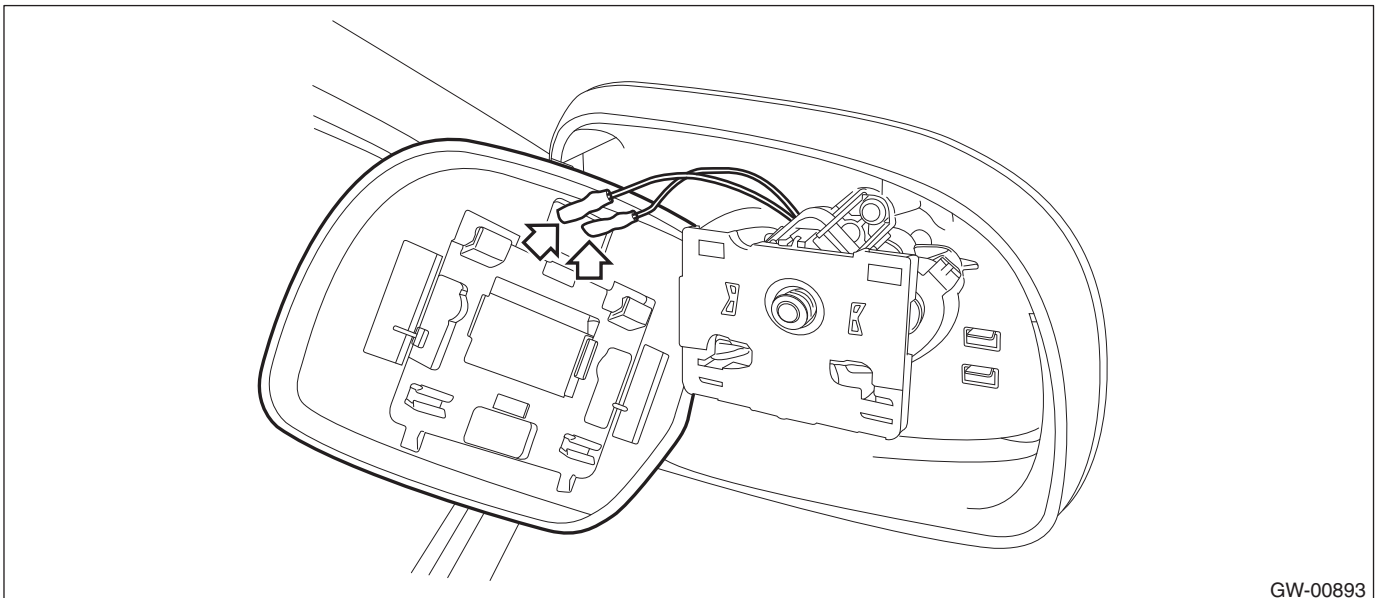
#### 1. MODEL WITHOUT RETRACTABLE MIRROR

##### CAUTION:

- When removing the mirror, be careful not to damage the back surface of mirror with a flat tip screwdriver.
  - When installing the mirror, insert the connector and clip securely.
- 1) Operate the remote control mirror switch to face the mirror surface upward.
  - 2) Disconnect the ground cable from battery.
  - 3) Remove the outer mirror.
    - (1) Disconnect the clips using a flat tip screwdriver.



- (2) Disconnect the mirror heater connector. (Model with mirror heater)



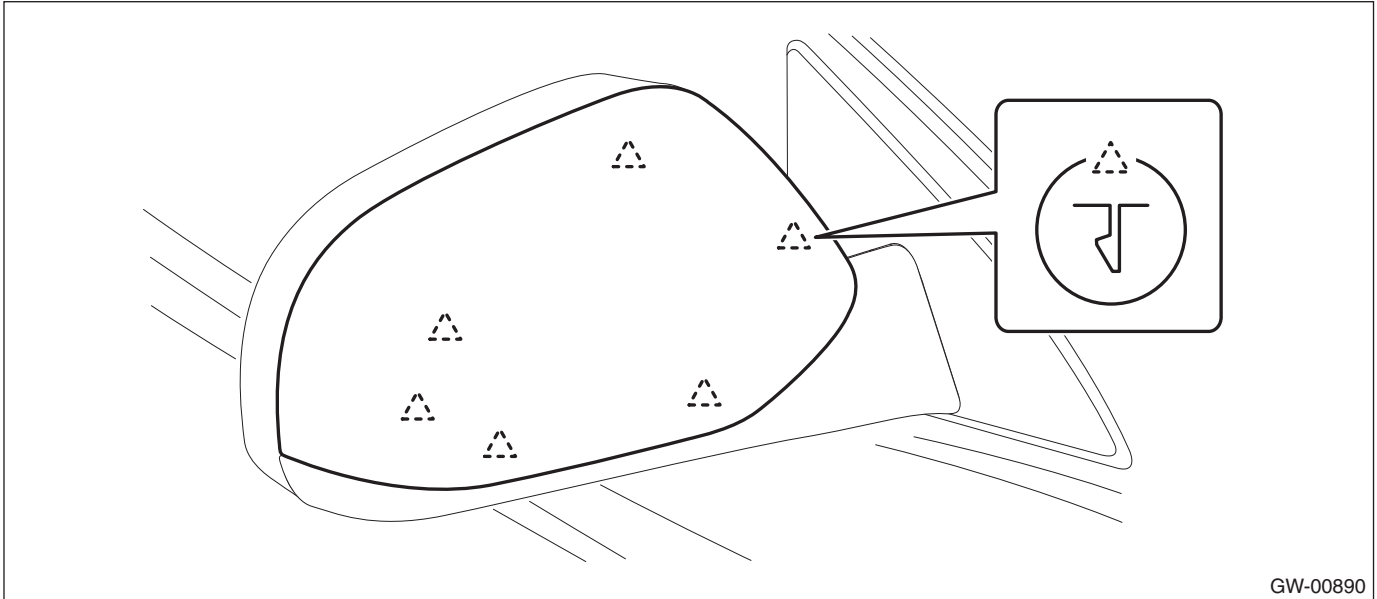
# Scalp Cap

GLASS/WINDOWS/MIRRORS

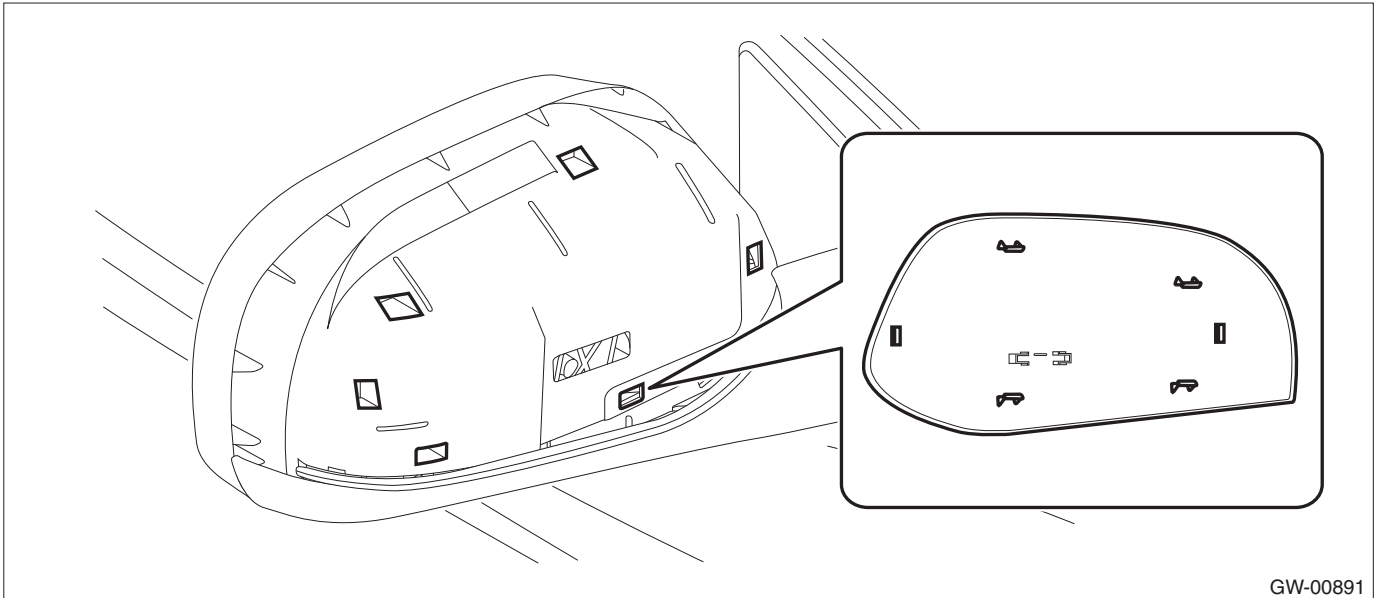
4) Disconnect the claws and then remove the scalp cap.

**CAUTION:**

Be careful not to apply excessive force when removing the scalp cap, as the lower hooks may become damaged.



5) Engage the claws into the hole and install the scalp cap.

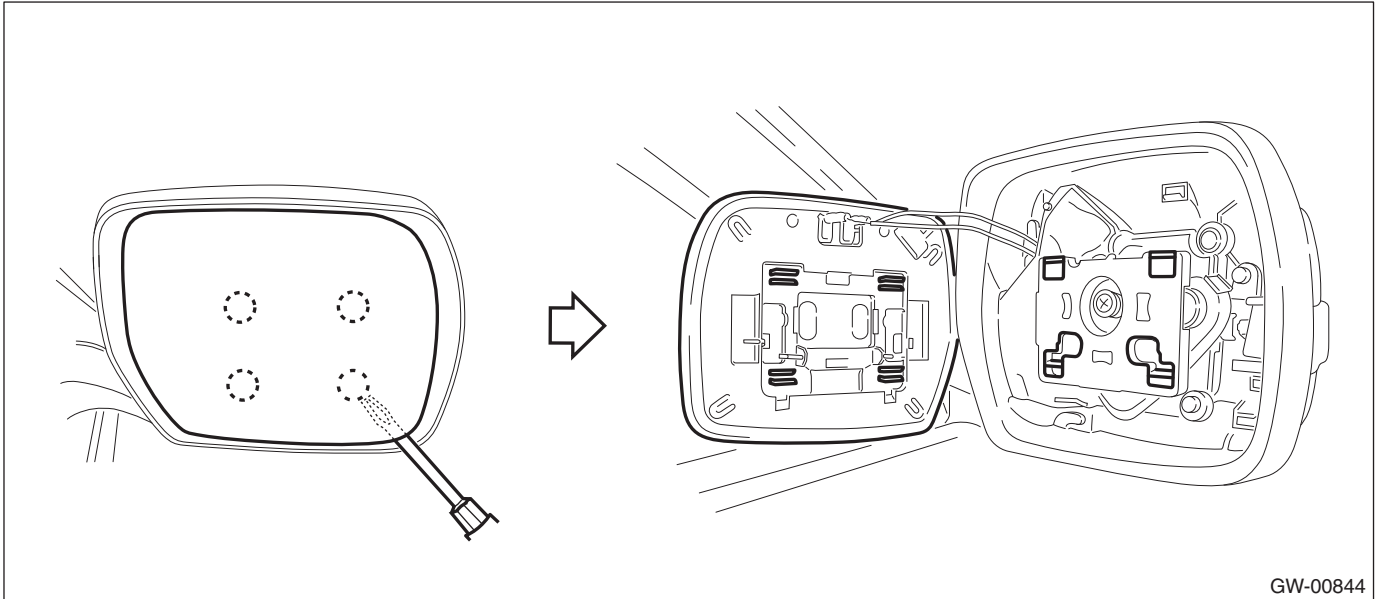


6) Check that all the claws are securely engaged.

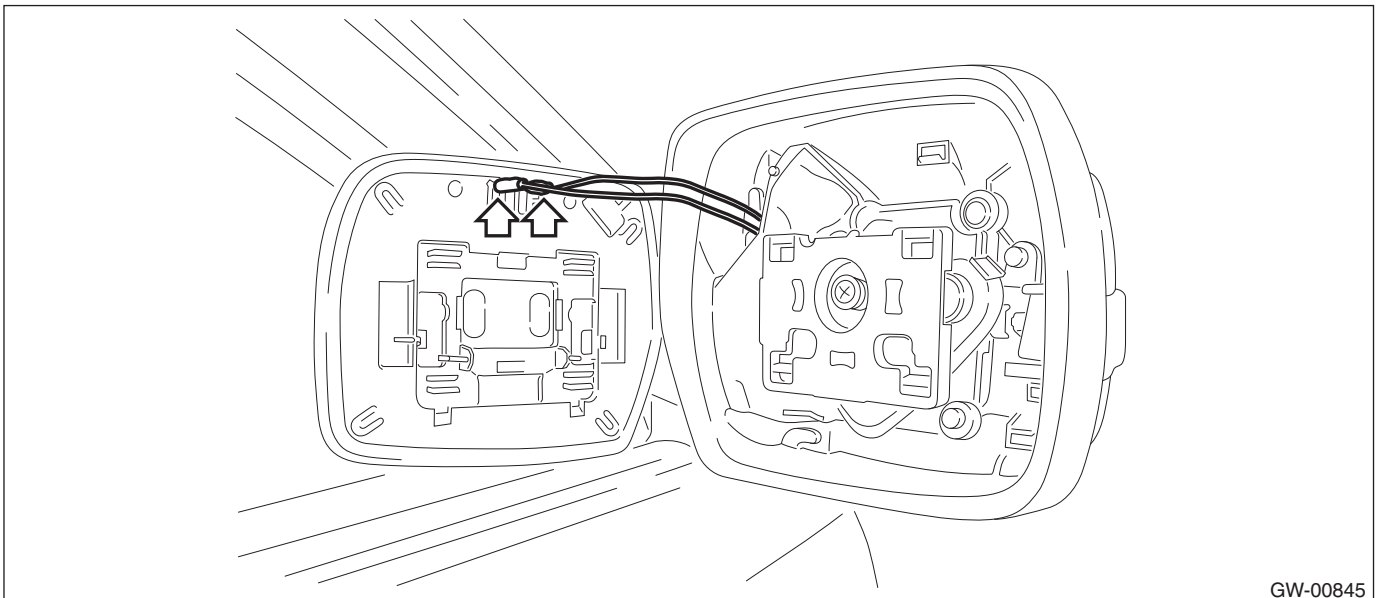
## 2. MODEL WITH RETRACTABLE MIRROR

### CAUTION:

- When removing the mirror, be careful not to damage the back surface of mirror with a flat tip screwdriver.
  - When installing the mirror, insert the connector and clip securely.
- 1) Operate the remote control mirror switch to face the mirror surface upward.
  - 2) Disconnect the ground cable from battery.
  - 3) Remove the outer mirror.
    - (1) Disconnect the clips using a flat tip screwdriver.



(2) Disconnect the mirror heater connector. (Model with mirror heater)



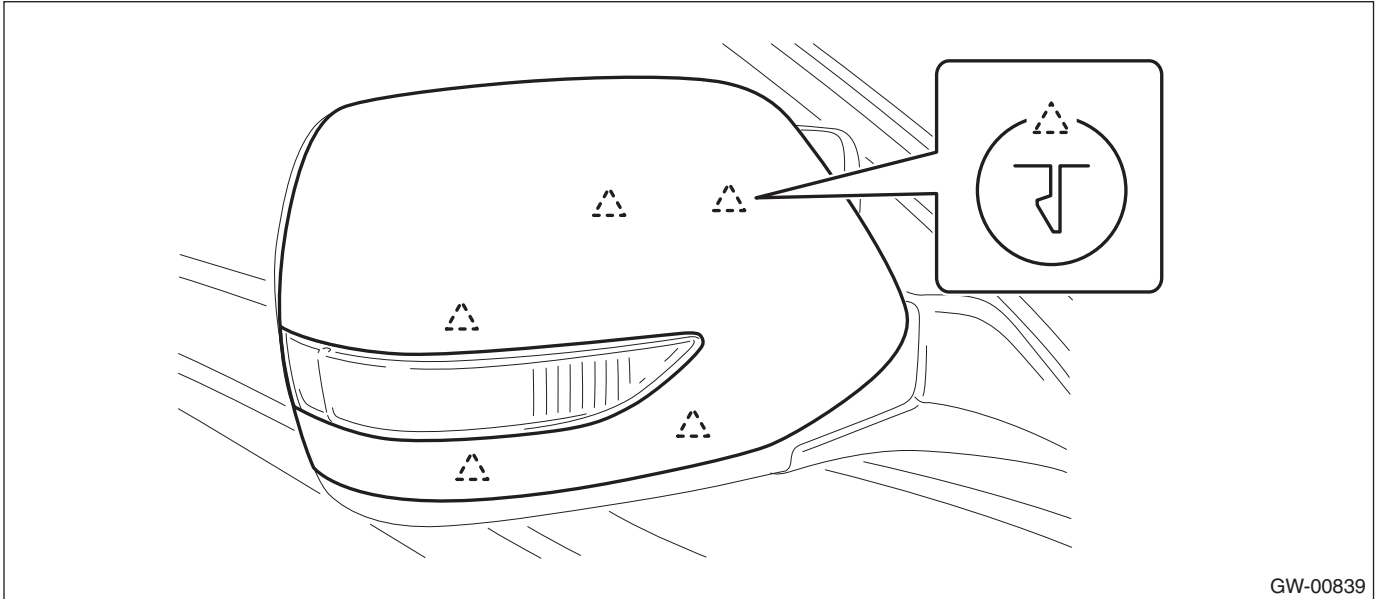
# Scalp Cap

GLASS/WINDOWS/MIRRORS

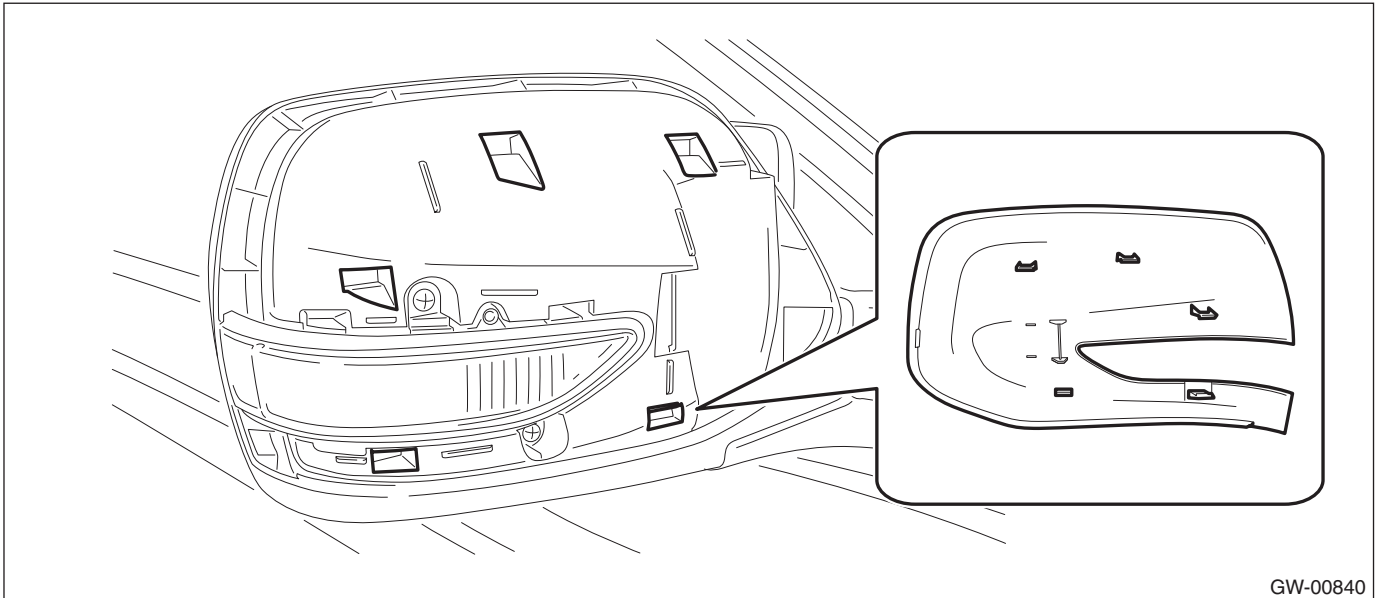
4) Disconnect the claws and then remove the scalp cap.

**CAUTION:**

Be careful not to apply excessive force when removing the scalp cap, as the lower hooks may become damaged.



5) Engage the claws into the hole and install the scalp cap.



6) Check that all the claws are securely engaged.