

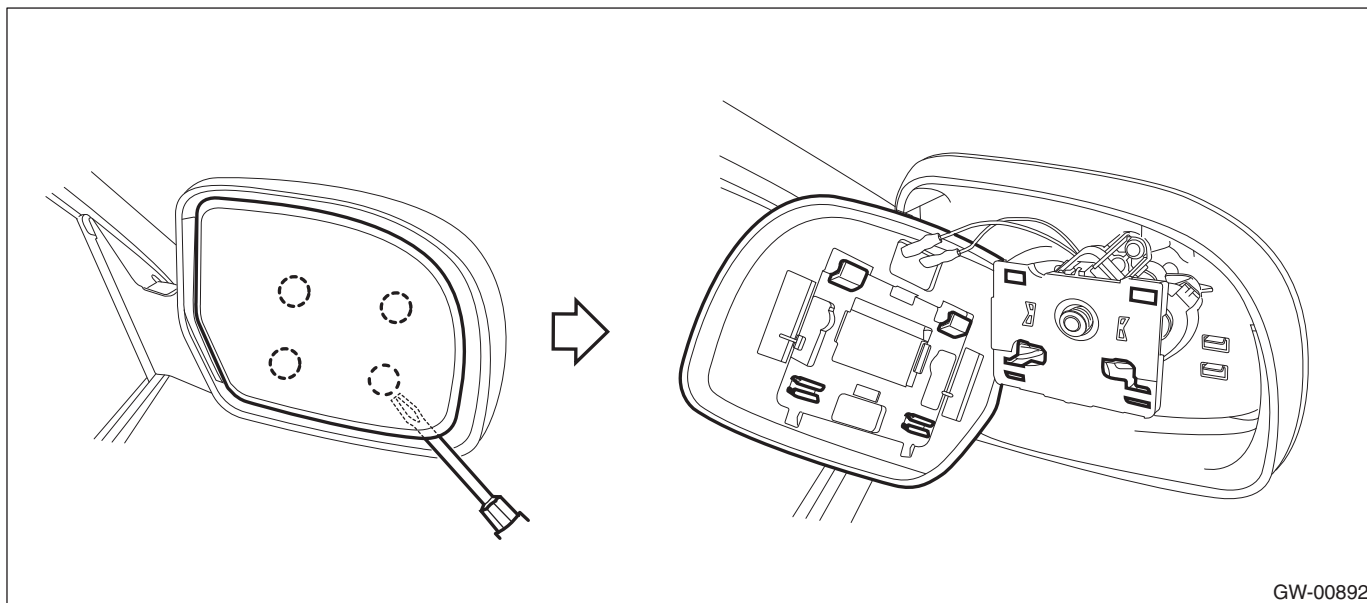
10. Outer Mirror

A: REPLACEMENT

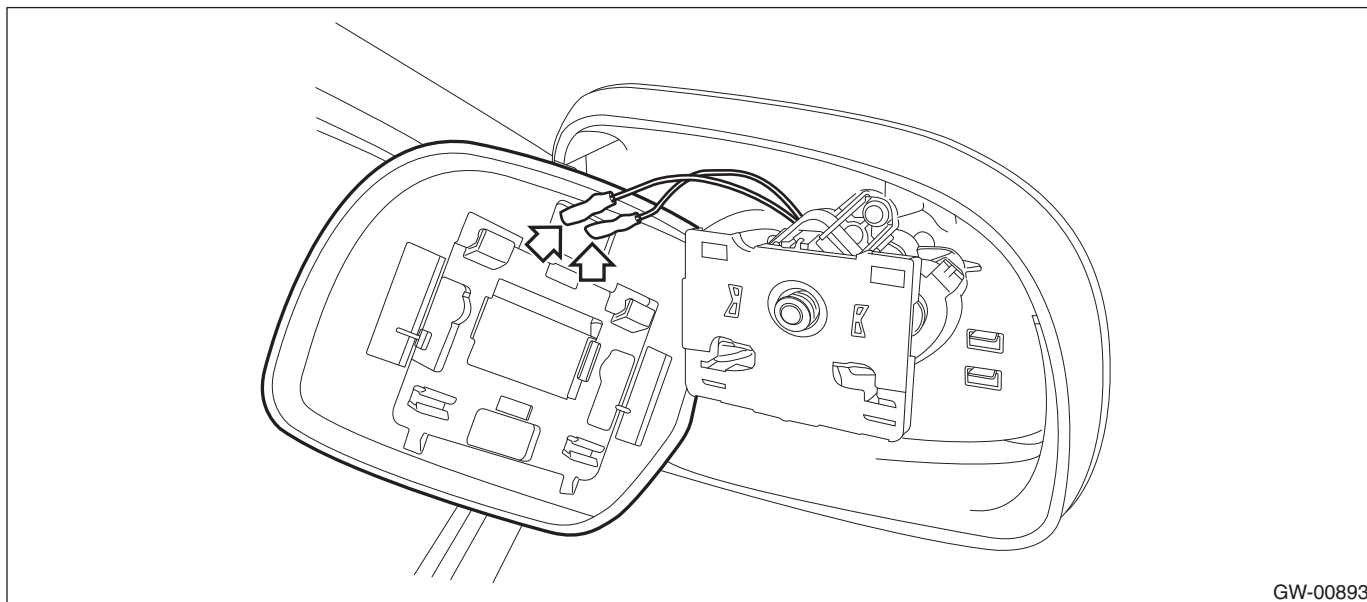
1. MODEL WITHOUT RETRACTABLE MIRROR

CAUTION:

- When removing the mirror, be careful not to damage the back surface of mirror with a flat tip screwdriver.
 - When installing the mirror, insert the connector and clip securely.
- 1) Operate the remote control mirror switch to face the mirror surface upward.
 - 2) Disconnect the ground cable from battery.
 - 3) Remove the outer mirror.
 - (1) Disconnect the clips using a flat tip screwdriver.



- (2) Disconnect the mirror heater connector. (Model with mirror heater)



- 4) Install the outer mirror in the reverse order of removal.

Outer Mirror

GLASS/WINDOWS/MIRRORS

2. MODEL WITH RETRACTABLE MIRROR

CAUTION:

- When removing the mirror, be careful not to damage the back surface of mirror with a flat tip screwdriver.

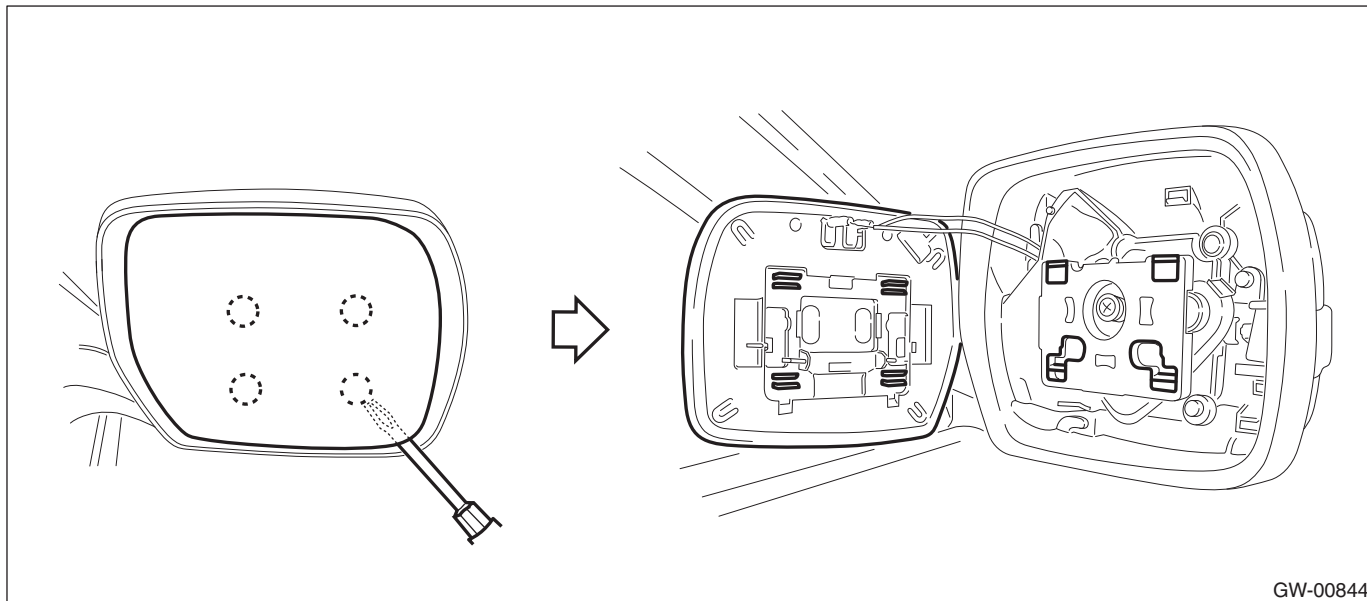
- When installing the mirror, insert the connector and clip securely.

1) Operate the remote control mirror switch to face the mirror surface upward.

2) Disconnect the ground cable from battery.

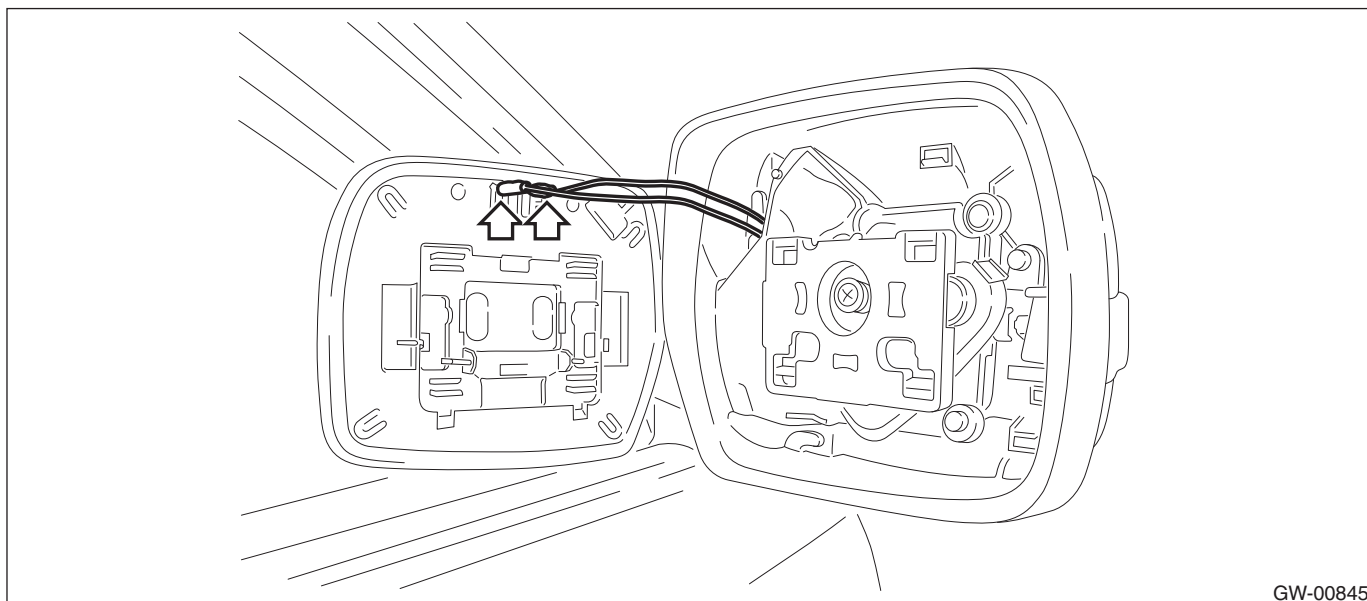
3) Remove the outer mirror.

(1) Disconnect the clips using a flat tip screwdriver.



GW-00844

(2) Disconnect the mirror heater connector. (Model with mirror heater)



GW-00845

4) Install the outer mirror in the reverse order of removal.