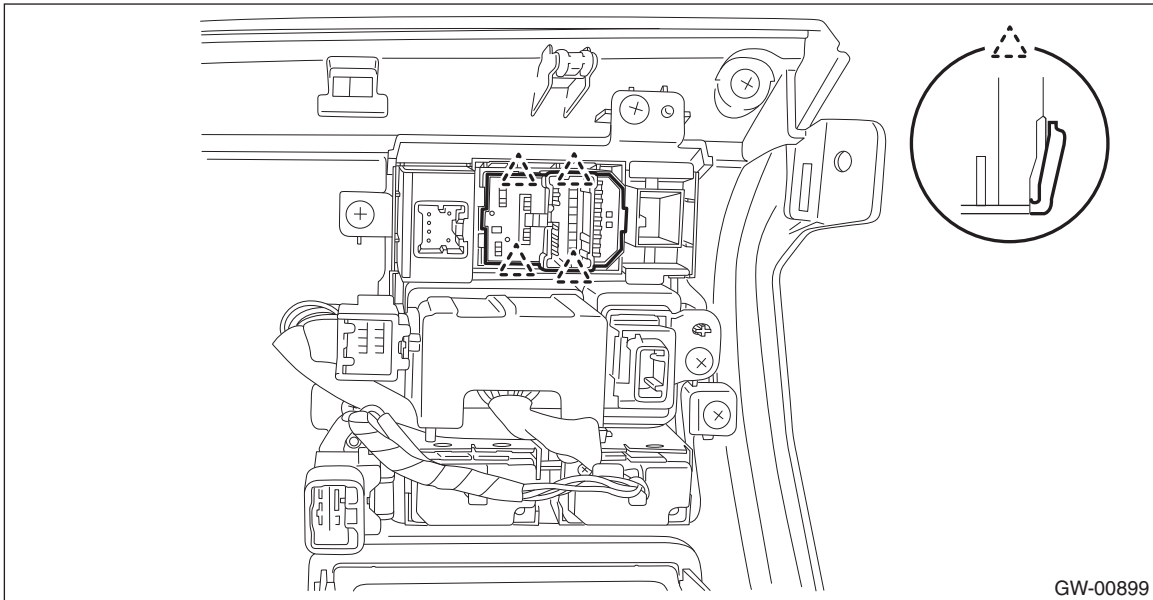


11. Remote Control Mirror Switch

A: REMOVAL

- 1) Remove the instrument panel lower cover. <Ref. to EI-63, REMOVAL, Instrument Panel Lower Cover.>
- 2) Disconnect the claws and then remove the remote control mirror switch.



B: INSTALLATION

Install each part in the reverse order of removal.

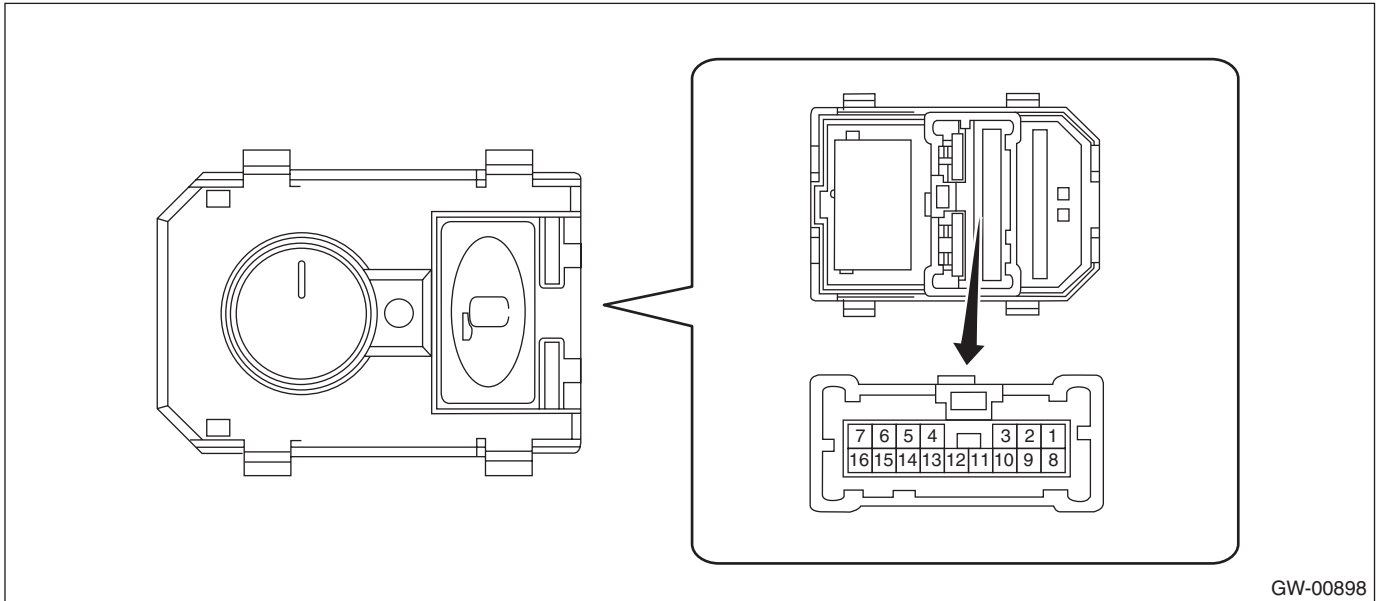
Remote Control Mirror Switch

GLASS/WINDOWS/MIRRORS

C: INSPECTION

- 1) Disconnect the remote control mirror switch connector.
- 2) Check the resistance between remote control mirror switch terminals.

Preparation tool: Circuit tester



GW-00898

• Changeover switch RH

Terminal No.	Inspection conditions	Specification
—	OFF	1 M Ω or more
1 — 12 11 — 7	UP	Less than 1 Ω
1 — 11 12 — 7	DOWN	Less than 1 Ω
1 — 9 12 — 7	LEFT	Less than 1 Ω
1 — 12 9 — 7	RIGHT	Less than 1 Ω

• Changeover switch LH

Terminal No.	Inspection conditions	Specification
—	OFF	1 M Ω or more
1 — 14 10 — 7	UP	Less than 1 Ω
1 — 10 14 — 7	DOWN	Less than 1 Ω
1 — 8 14 — 7	LEFT	Less than 1 Ω
1 — 14 8 — 7	RIGHT	Less than 1 Ω

Remote Control Mirror Switch

GLASS/WINDOWS/MIRRORS

- Folding switch (model with retractable mirror)

Terminal No.	Inspection conditions	Specification
—	OFF	1 M Ω or more
1 — 5 2 — 7	Folding (LH)	Less than 1 Ω
1 — 6 3 — 7	Folding (RH)	Less than 1 Ω
1 — 2 5 — 7	Unfolding (LH)	Less than 1 Ω
1 — 3 6 — 7	Unfolding (RH)	Less than 1 Ω

- 3) Replace the remote control mirror switch if the inspection result is not within the standard value.