

## Rear Door Glass

GLASS/WINDOWS/MIRRORS

### 12.Rear Door Glass

#### A: REMOVAL

- 1) Remove the rear door trim. <Ref. to EI-61, REAR DOOR, REMOVAL, Door Trim.>
- 2) Remove the sealing cover.

#### CAUTION:

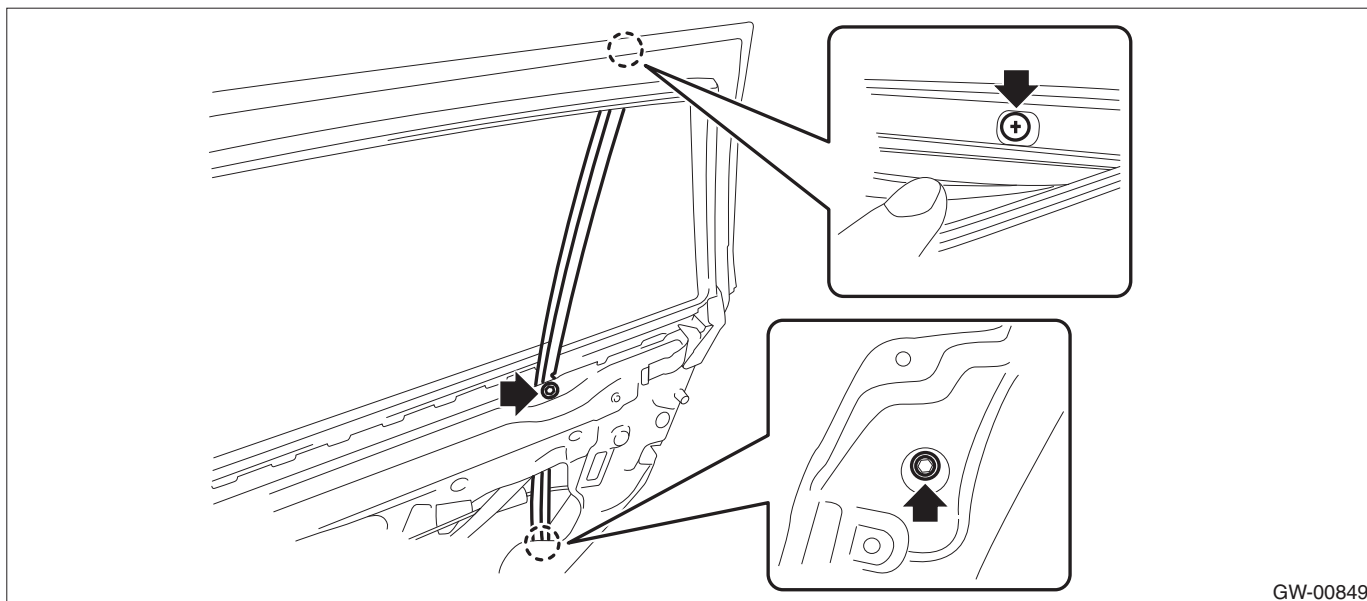
- Carefully remove the butyl tape. Excessive force will easily break the cover.
- If cover gets broken, replace it with a new part.

3) Attach the battery ground cable and power window switch and turn the ignition to ON.

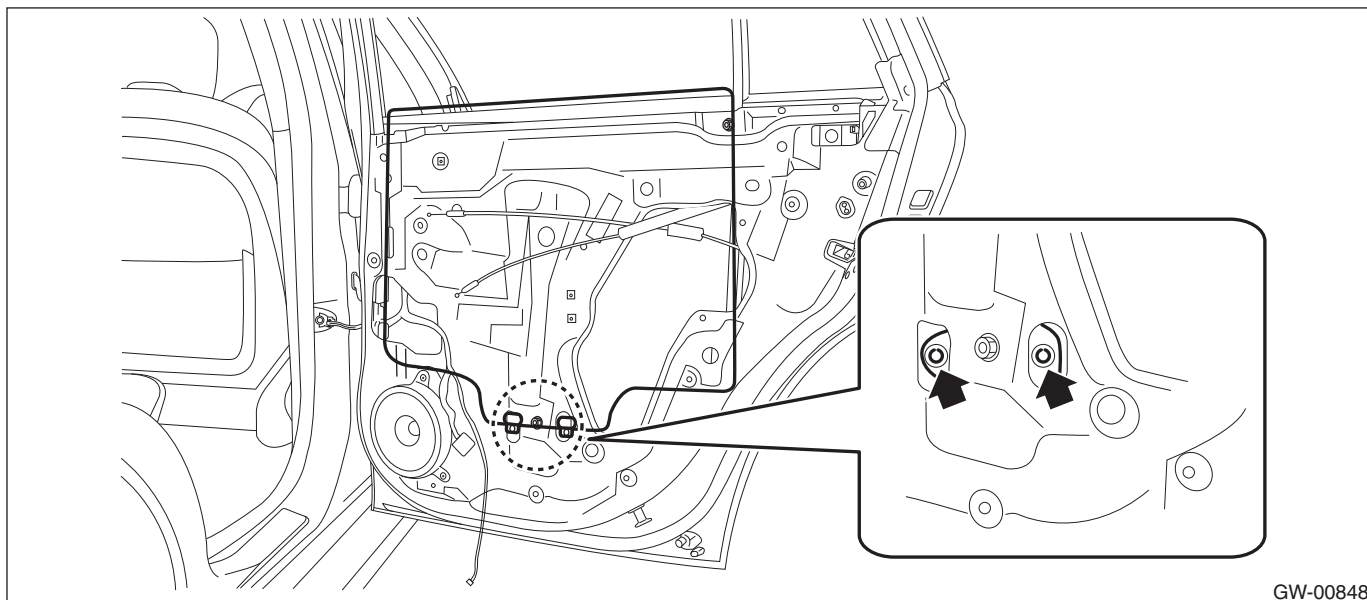
4) Remove the rear door glass.

(1) Operate the power window switch to move the rear door glass to the lowest position where the mounting bolts can be seen.

(2) Remove the screw and bolt and remove the door sash.



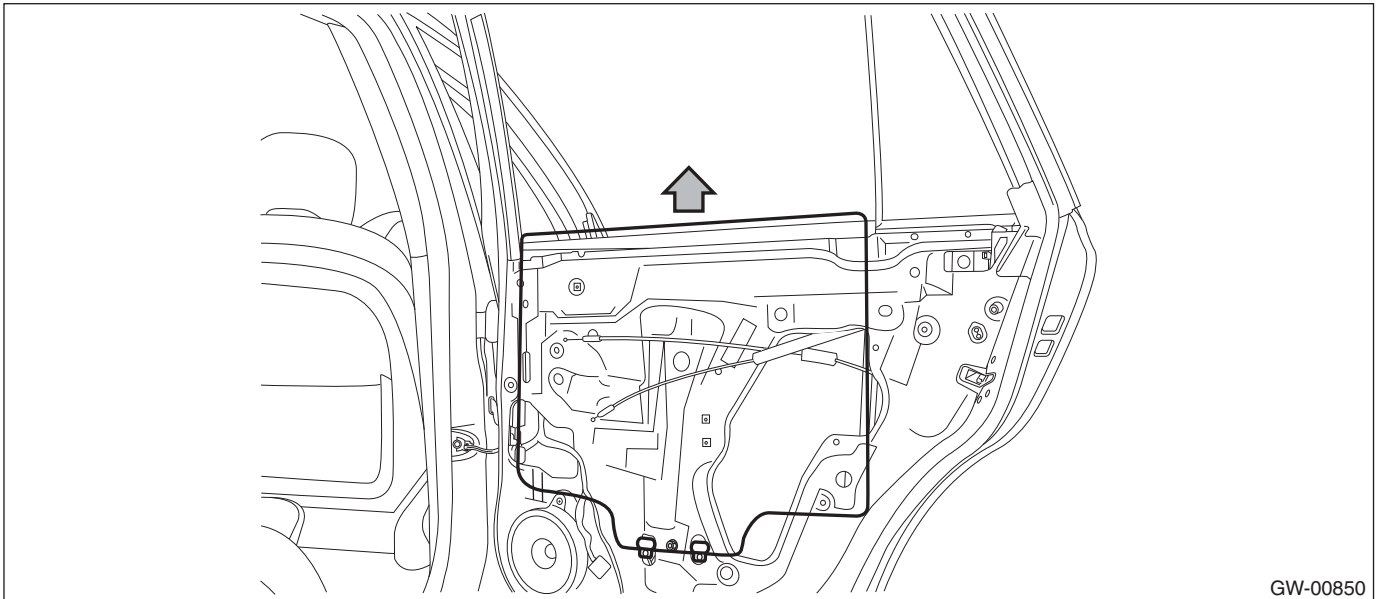
(3) Remove the bolt.



(4) Remove the rear door glass.

**CAUTION:**

**Avoid impact and damage to the glass.**



GW-00850

## B: INSTALLATION

**CAUTION:**

**Make sure that the glass run rubber is placed securely in the door frame and sash.**

Install each part in the reverse order of removal.

**Tightening torque:**

**Refer to "COMPONENT" of "General Description". <Ref. to GW-5, REAR DOOR GLASS, COMPONENT, General Description.>**