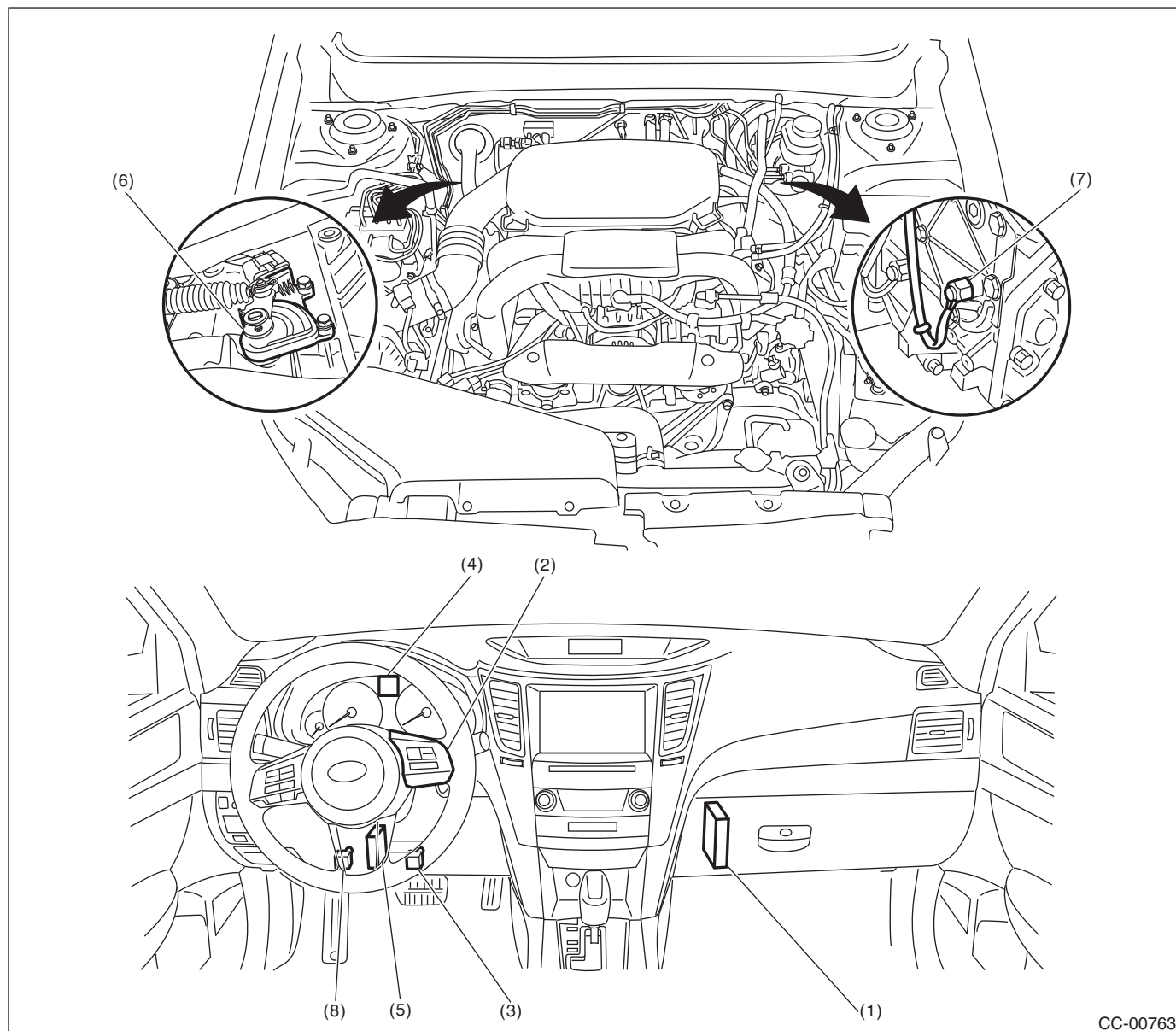


Electrical Component Location

CRUISE CONTROL SYSTEM (DIAGNOSTICS)

3. Electrical Component Location

A: LOCATION



CC-00763

- | | | |
|-----------------------------------|--|--|
| (1) Engine control module (ECM) | (4) Cruise indicator light and cruise set indicator light | (7) Neutral position switch (MT model) |
| (2) Cruise control command switch | (5) Transmission control module (TCM) (AT model and CVT model) | (8) Clutch switch (MT model) |
| (3) Stop light & brake switch | (6) Inhibitor switch (CVT model) | |