

General Description

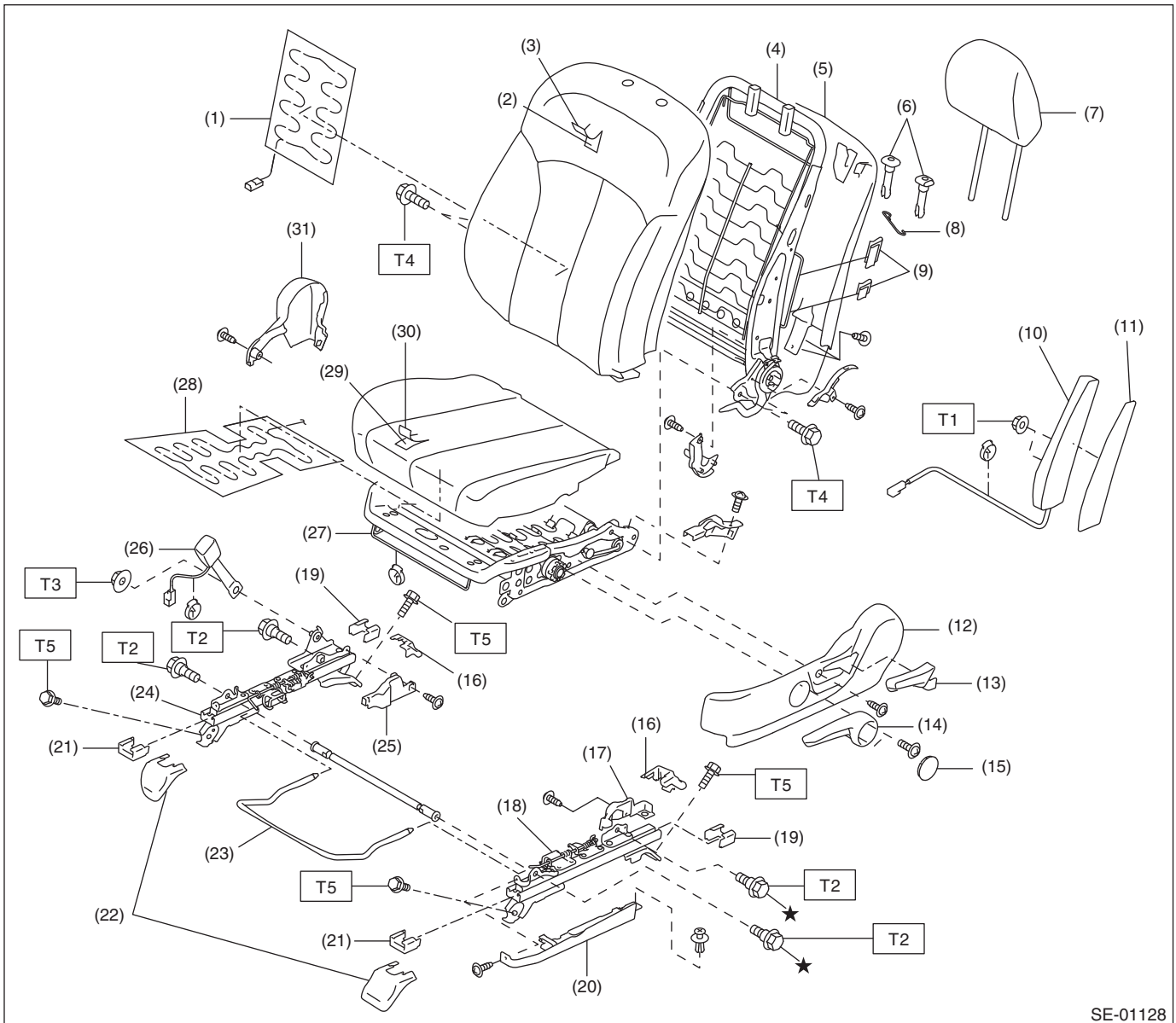
SEATS

1. General Description

A: COMPONENT

1. FRONT SEAT

- Manual seat LH



SE-01128

General Description

SEATS

(1) Backrest heater ASSY	(14) Lifter lever	(27) Cushion frame ASSY
(2) Backrest pad	(15) Lifter lever cap	(28) Cushion heater ASSY
(3) Backrest cover	(16) Rear bolt cover	(29) Cushion pad
(4) Backrest frame ASSY	(17) Riser cover INN LH	(30) Cushion cover
(5) Backrest back cover	(18) Slide rail ASSY LH	(31) Seat side cover IN
(6) Headrest bushing	(19) Rail end cap rear	
(7) Headrest ASSY	(20) Riser cover OUT	
(8) Flat mat hook	(21) Rail end cap front	
(9) S hook	(22) Front bolt cover	
(10) Side airbag module ASSY	(23) Sliding adjust bar	
(11) Side airbag tape	(24) Slide rail ASSY RH	
(12) Seat side cover OUT	(25) Riser cover INN RH	
(13) Reclining lever	(26) Inner seat belt ASSY	

Tightening torque:N·m (kgf-m, ft-lb)

T1: 6 (0.61, 4.4)

T2: 18 (1.84, 13.3)

T3: 38 (3.87, 28.0)

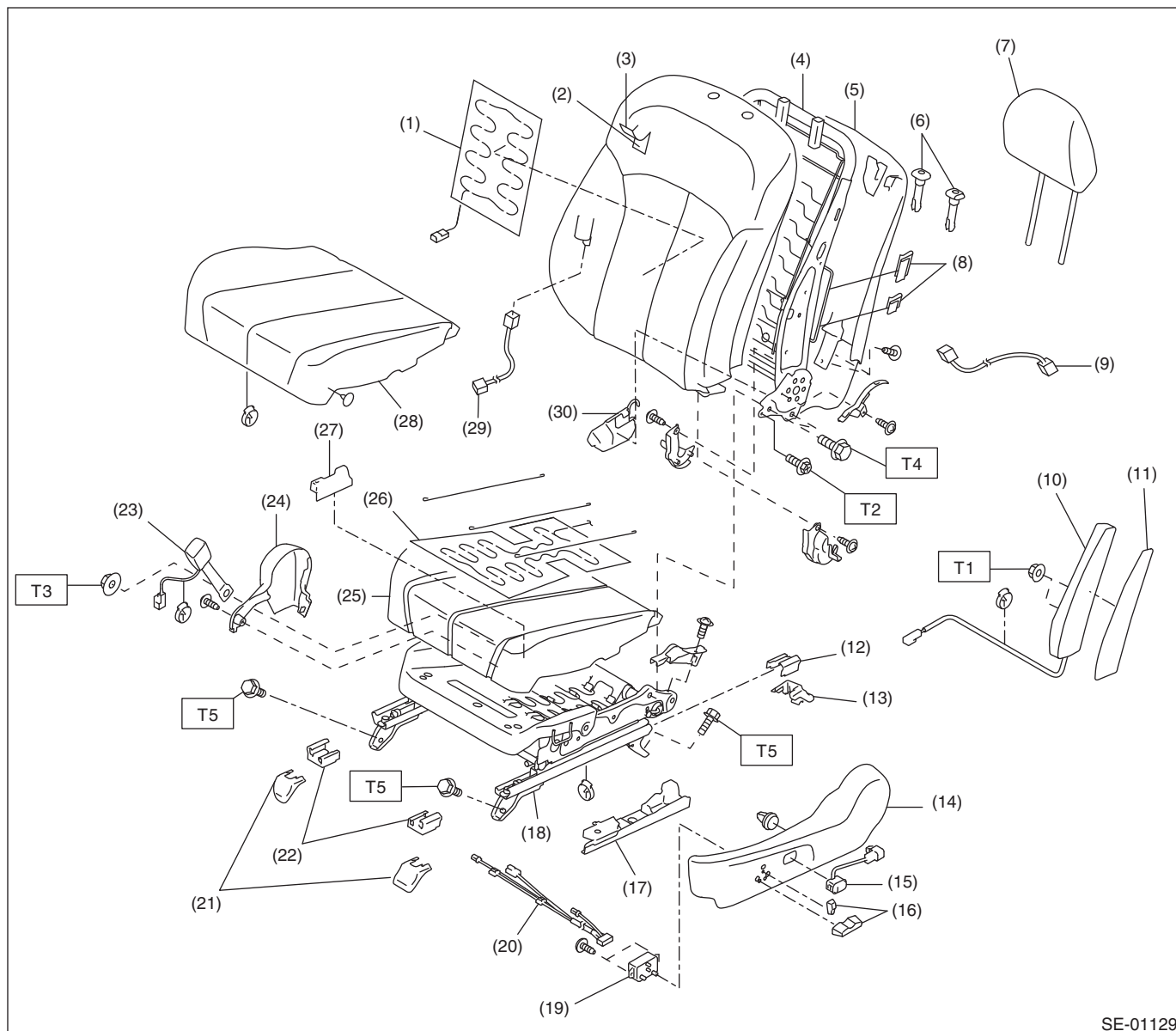
T4: 52 (5.3, 38.4)

T5: 53 (5.4, 39.1)

General Description

SEATS

• Power seat LH



- | | | |
|------------------------------|--------------------------------|---------------------------|
| (1) Backrest heater ASSY | (14) Seat side cover OUT | (27) Riser cover INN RH |
| (2) Backrest pad | (15) Lumber switch ASSY | (28) Cushion cover |
| (3) Backrest cover | (16) Power seat switch knob | (29) Lumber motor harness |
| (4) Backrest frame ASSY | (17) Riser cover OUT LH | (30) Backrest inner cover |
| (5) Backrest back cover | (18) Seat cushion frame ASSY | |
| (6) Headrest bushing | (19) Power seat switch ASSY | |
| (7) Headrest ASSY | (20) Power seat switch harness | |
| (8) S hook | (21) Front bolt cover | |
| (9) Reclining motor harness | (22) Rail end cap front | |
| (10) Side airbag module ASSY | (23) Inner seat belt ASSY | |
| (11) Side airbag tape | (24) Seat side cover IN | |
| (12) Rail end cap rear | (25) Cushion pad | |
| (13) Rear bolt cover | (26) Cushion heater ASSY | |

Tightening torque: N·m (kgf·m, ft·lb)

T1: 6 (0.61, 4.4)

T2: 18 (1.84, 13.3)

T3: 38 (3.87, 28.0)

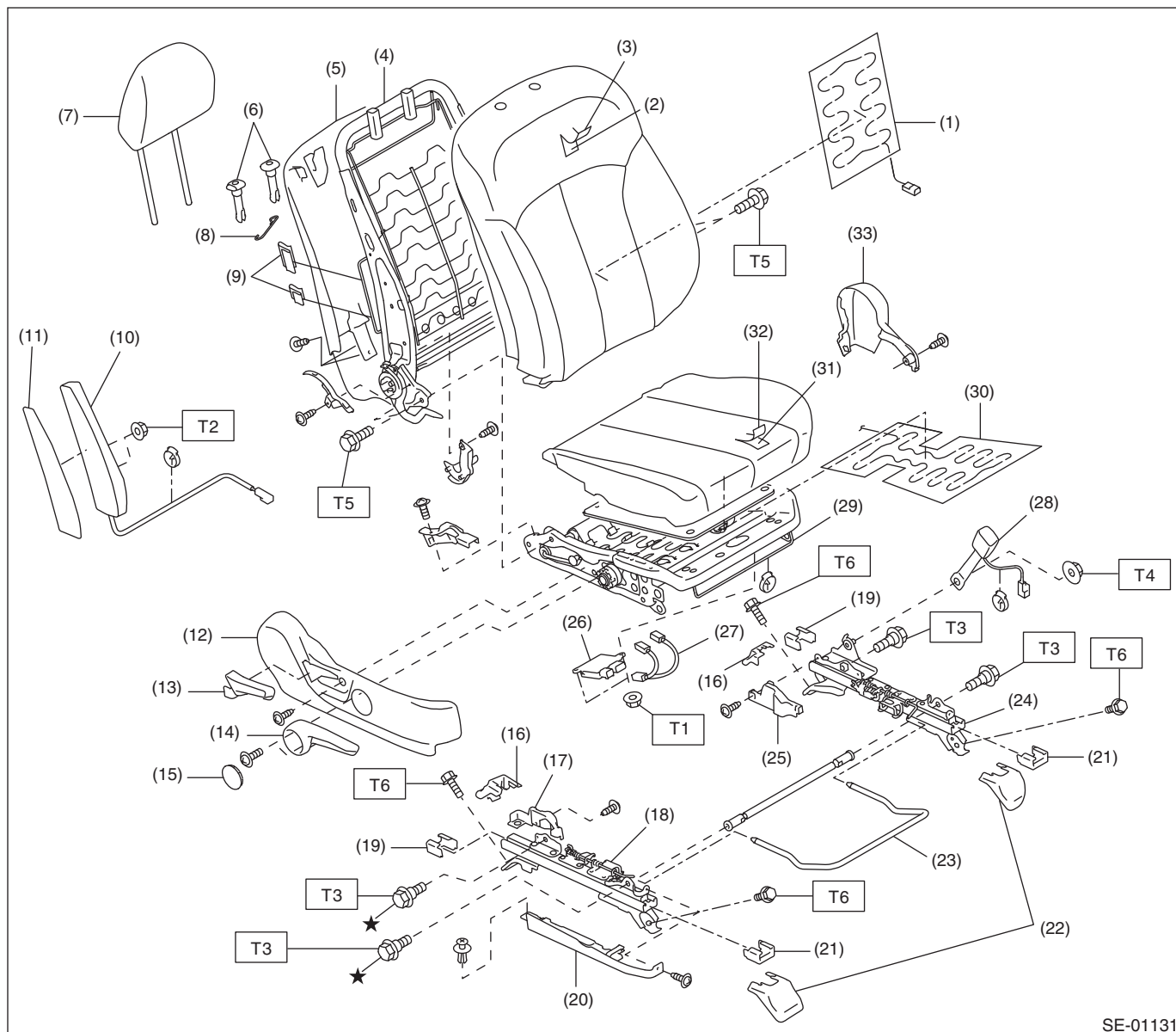
T4: 52 (5.3, 38.4)

T5: 53 (5.4, 39.1)

General Description

SEATS

• Manual seat RH



- | | | |
|------------------------------|------------------------------------------------|--------------------------|
| (1) Backrest heater ASSY | (15) Lifter lever cap | (29) Cushion frame ASSY |
| (2) Backrest pad | (16) Rear bolt cover | (30) Cushion heater ASSY |
| (3) Backrest cover | (17) Riser cover INN RH | (31) Cushion pad |
| (4) Backrest frame ASSY | (18) Slide rail ASSY RH | (32) Cushion cover |
| (5) Backrest back cover | (19) Rail end cap rear | (33) Seat side cover IN |
| (6) Headrest bushing | (20) Riser cover OUT | |
| (7) Headrest ASSY | (21) Rail end cap front | |
| (8) Flat mat hook | (22) Front bolt cover | |
| (9) S hook | (23) Sliding adjust bar | |
| (10) Side airbag module ASSY | (24) Slide rail ASSY LH | |
| (11) Side airbag tape | (25) Riser cover INN LH | |
| (12) Seat side cover OUT | (26) Occupant detection control module | |
| (13) Reclining lever | (27) Occupant detection control module harness | |
| (14) Lifter lever | (28) Inner seat belt ASSY | |

Tightening torque: N·m (kgf·m, ft·lb)

T1: 5.9 (0.6, 4.4)

T2: 6 (0.61, 4.4)

T3: 18 (1.84, 13.3)

T4: 38 (3.87, 28.0)

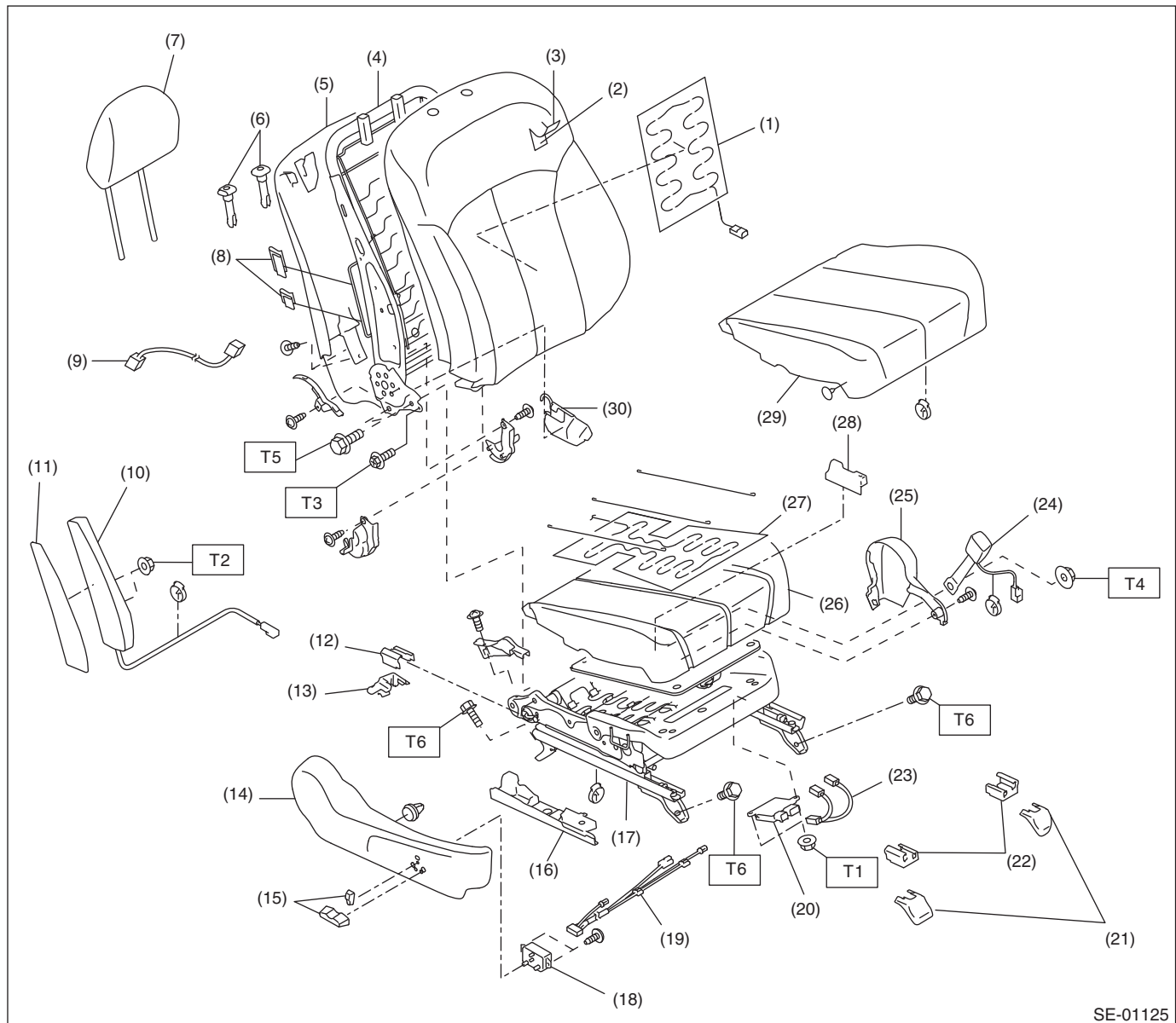
T5: 52 (5.3, 38.4)

T6: 53 (5.4, 39.1)

General Description

SEATS

• Power seat RH



SE-01125

(1) Backrest heater ASSY	(14) Seat side cover OUT	(27) Cushion heater ASSY
(2) Backrest pad	(15) Power seat switch knob	(28) Riser cover INN RH
(3) Backrest cover	(16) Riser cover OUT LH	(29) Cushion cover
(4) Backrest frame ASSY	(17) Seat cushion frame ASSY	(30) Backrest inner cover
(5) Backrest back cover	(18) Power seat switch ASSY	
(6) Headrest bushing	(19) Power seat harness	
(7) Headrest ASSY	(20) Occupant detection control module	
(8) S hook	(21) Front bolt cover	
(9) Reclining motor harness	(22) Rail end cap front	
(10) Side airbag module ASSY	(23) Occupant detection control module harness	
(11) Side airbag tape	(24) Inner seat belt ASSY	
(12) Rail end cap rear	(25) Seat side cover IN	
(13) Rear bolt cover	(26) Cushion pad	

Tightening torque: N·m (kgf·m, ft·lb)

T1: 5.9 (0.6, 4.4)

T2: 6 (0.61, 4.4)

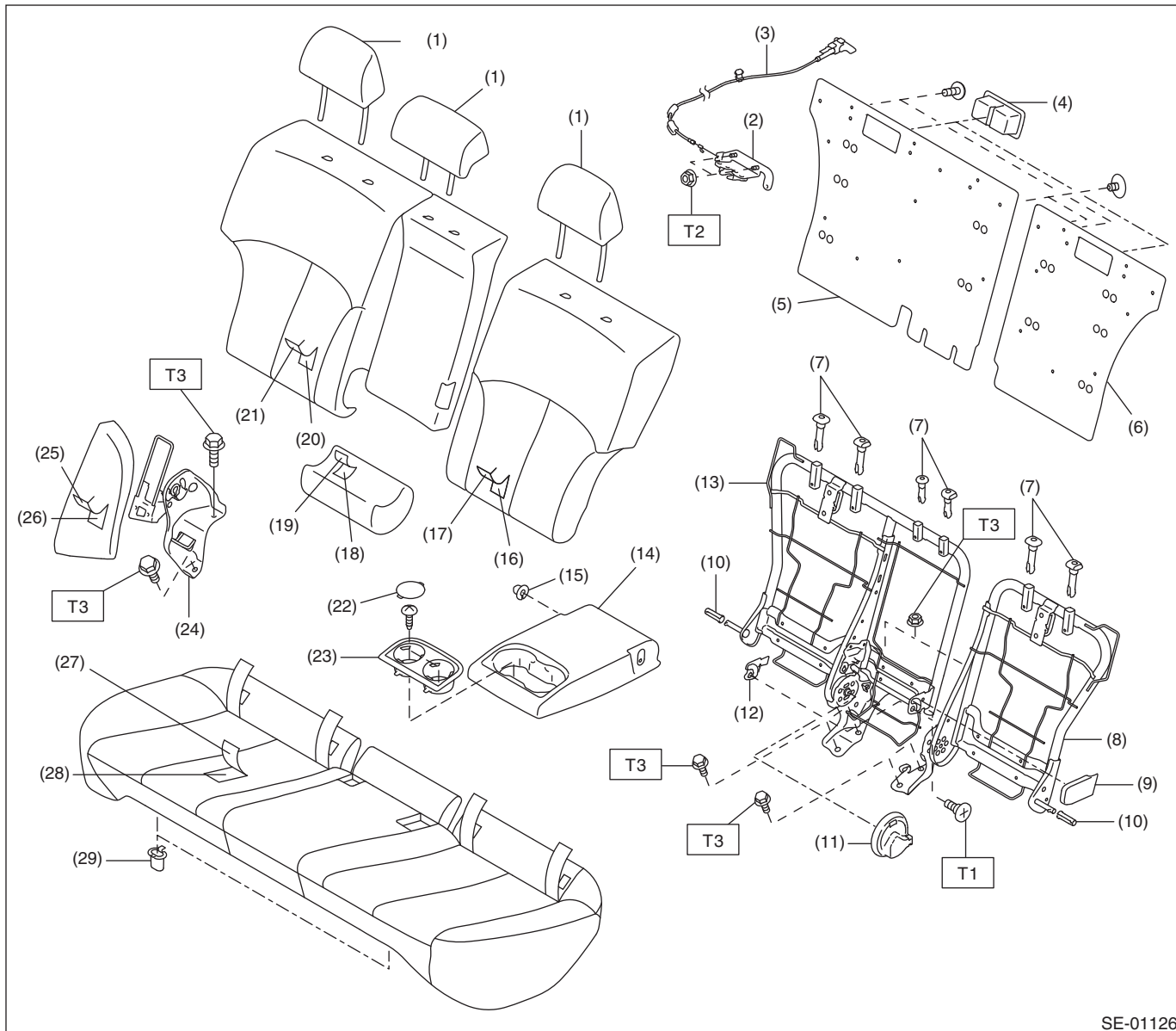
T3: 18 (1.84, 13.3)

T4: 38 (3.87, 28.0)

T5: 52 (5.3, 38.4)

T6: 53 (5.4, 39.1)

2. REAR SEAT (SEDAN MODEL)



SE-01126

- | | | |
|-------------------------------|-----------------------------|--------------------------|
| (1) Headrest ASSY | (13) Backrest frame ASSY RH | (25) Backrest side cover |
| (2) Backrest lock ASSY | (14) Armrest ASSY | (26) Backrest side pad |
| (3) Release lever ASSY | (15) Armrest bushing | (27) Seat cushion cover |
| (4) Backrest back board RH | (16) Backrest pad LH | (28) Seat cushion pad |
| (5) Backrest striker cover | (17) Backrest cover LH | (29) Hook |
| (6) Backrest back board LH | (18) Seat center pad | |
| (7) Headrest lock bushing | (19) Seat center cover | |
| (8) Backrest frame ASSY LH | (20) Backrest pad RH | |
| (9) Armrest hinge cover | (21) Backrest cover RH | |
| (10) Backrest hinge bushing | (22) Cup holder rubber | |
| (11) Reclining hinge cover RH | (23) Cup holder ASSY | |
| (12) Armrest hinge bushing | (24) Hinge ASSY | |

Tightening torque: N·m (kgf·m, ft·lb)

T1: 9.8 (1.0, 7.2)

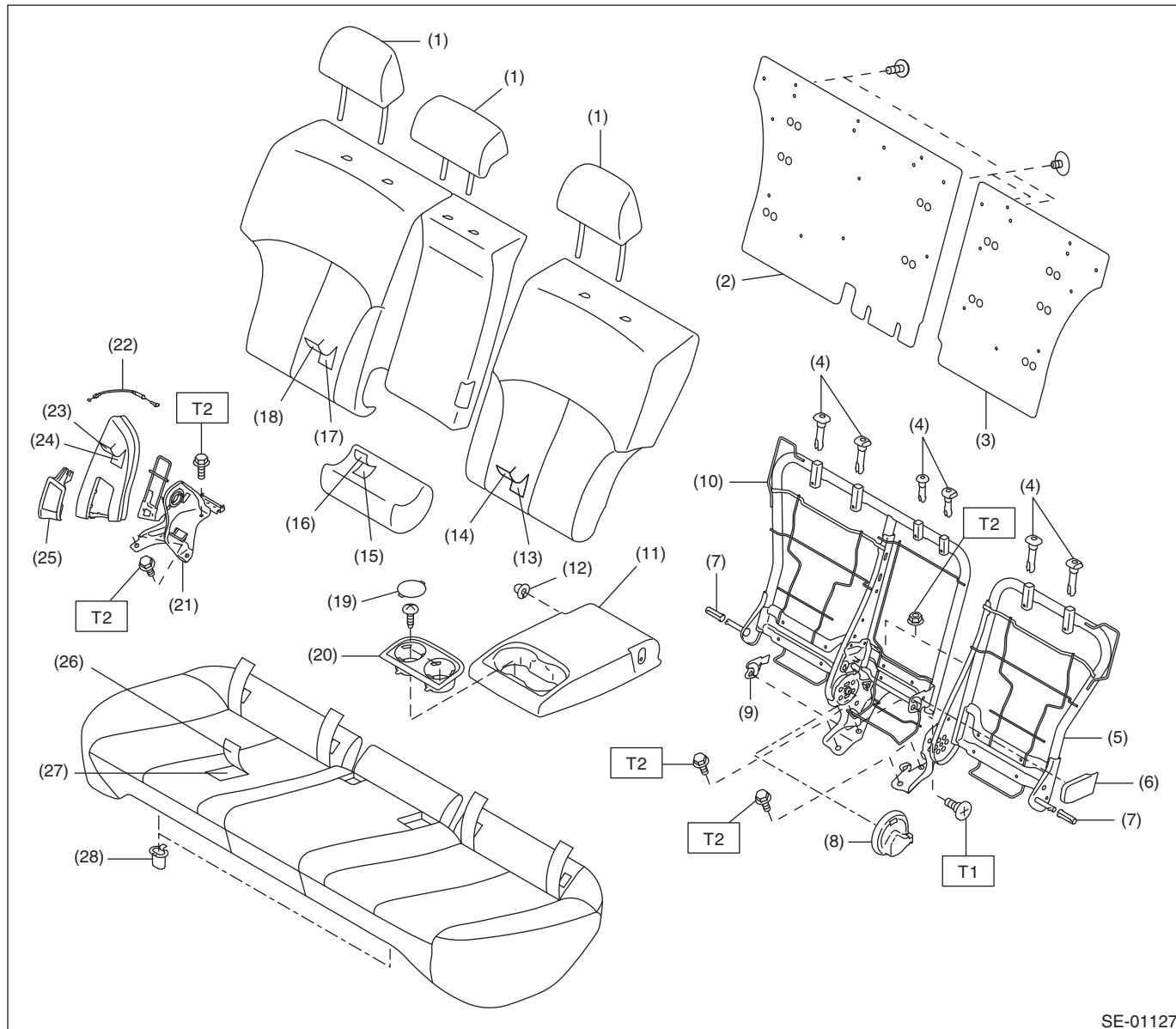
T2: 24.5 (2.5, 18.1)

T3: 53 (5.4, 39.1)

General Description

SEATS

3. REAR SEAT (OUTBACK MODEL)



SE-01127

- | | | |
|------------------------------|------------------------|---------------------------|
| (1) Headrest ASSY | (12) Armrest bushing | (23) Backrest side cover |
| (2) Backrest back board RH | (13) Backrest pad LH | (24) Backrest side pad |
| (3) Backrest back board LH | (14) Backrest cover LH | (25) Reclining lever ASSY |
| (4) Headrest lock bushing | (15) Seat center pad | (26) Seat cushion cover |
| (5) Backrest frame ASSY LH | (16) Seat center cover | (27) Seat cushion pad |
| (6) Armrest hinge cover | (17) Backrest pad RH | (28) Hook |
| (7) Backrest hinge bushing | (18) Backrest cover RH | |
| (8) Reclining hinge cover RH | (19) Cup holder rubber | |
| (9) Armrest hinge bushing | (20) Cup holder ASSY | |
| (10) Backrest frame ASSY RH | (21) Hinge ASSY | |
| (11) Armrest ASSY | (22) Reclining cable | |

Tightening torque: N·m (kgf·m, ft·lb)

T1: 24.5 (2.5, 18.1)

T2: 53 (5.4, 39.1)

B: CAUTION

When removing the front seat from a vehicle, follow the safety instructions given in the airbag section.

C: PREPARATION TOOL

1. GENERAL TOOL

TOOL NAME	Remarks
Long nose plier	Used for removing the hog ring.
Hog ring pliers	Used for installing the hog ring.
Circuit tester	Used for checking voltage and continuity.