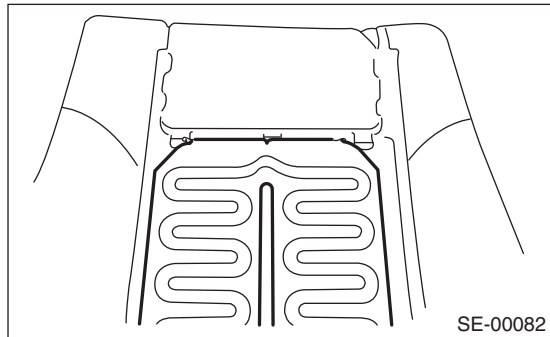


5. Seat Heater System

A: REMOVAL

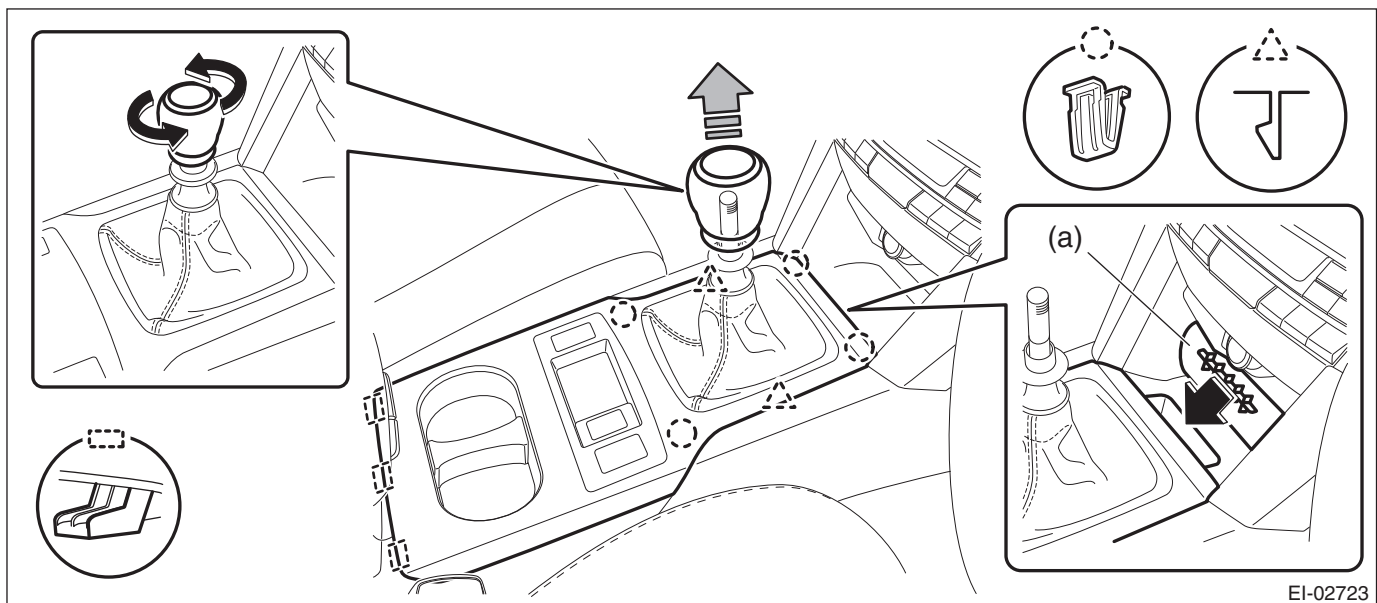
1. SEAT HEATER UNIT

- 1) Remove the front seats. <Ref. to SE-10, REMOVAL, Front Seat.>
- 2) Remove the backrest cover of front seat and seat cushion cover. <Ref. to SE-12, DISASSEMBLY, Front Seat.>
- 3) Remove the seat heater unit.



2. SEAT HEATER SWITCH

- 1) Disconnect the ground cable from battery.
- 2) Remove the console front cover assembly.
 - MT model
 1. Remove the shift knob.
 2. Release the clips and claws, then pull up the console front cover assembly.



NOTE:

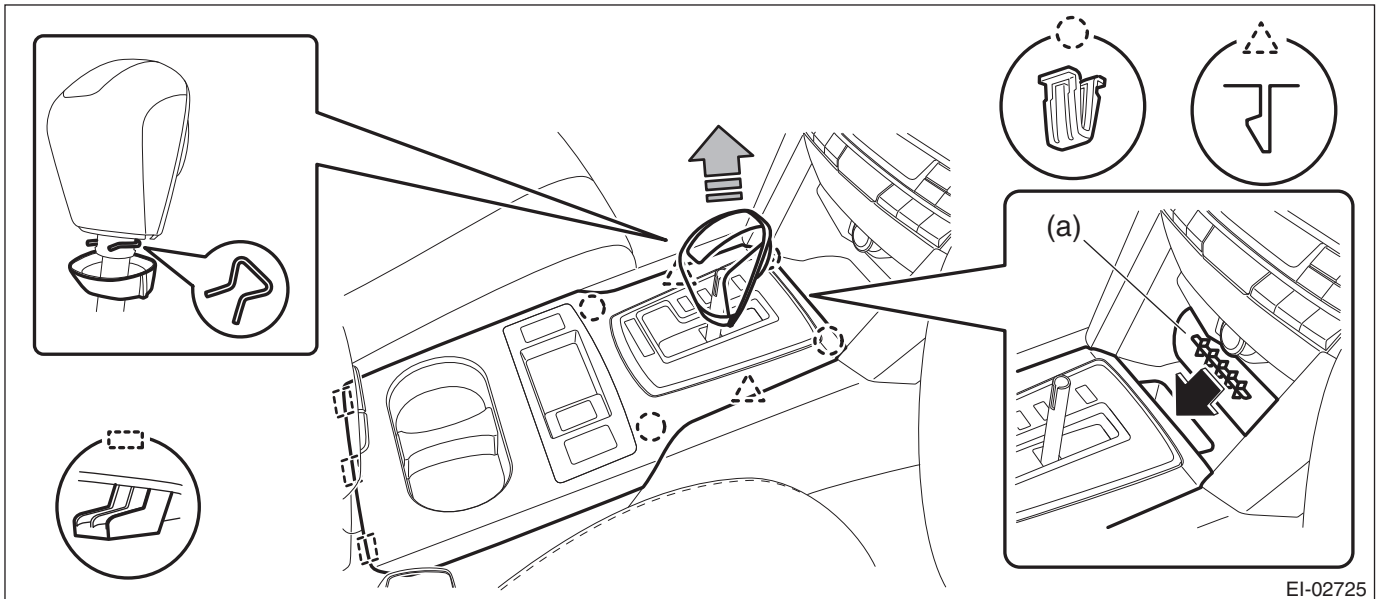
Turn over the front center pocket mat (a) and pull up the console front cover from the slit.

3. Disconnect the harness connector and remove the console front cover assembly.

Seat Heater System

SEATS

- AT model
 1. Remove the select lever knob.
 - a. Lower the cover grip AT.
 - b. Remove the clamp grip pin, then remove the select lever knob.
 2. Release the clips and claws, then pull up the console front cover assembly.



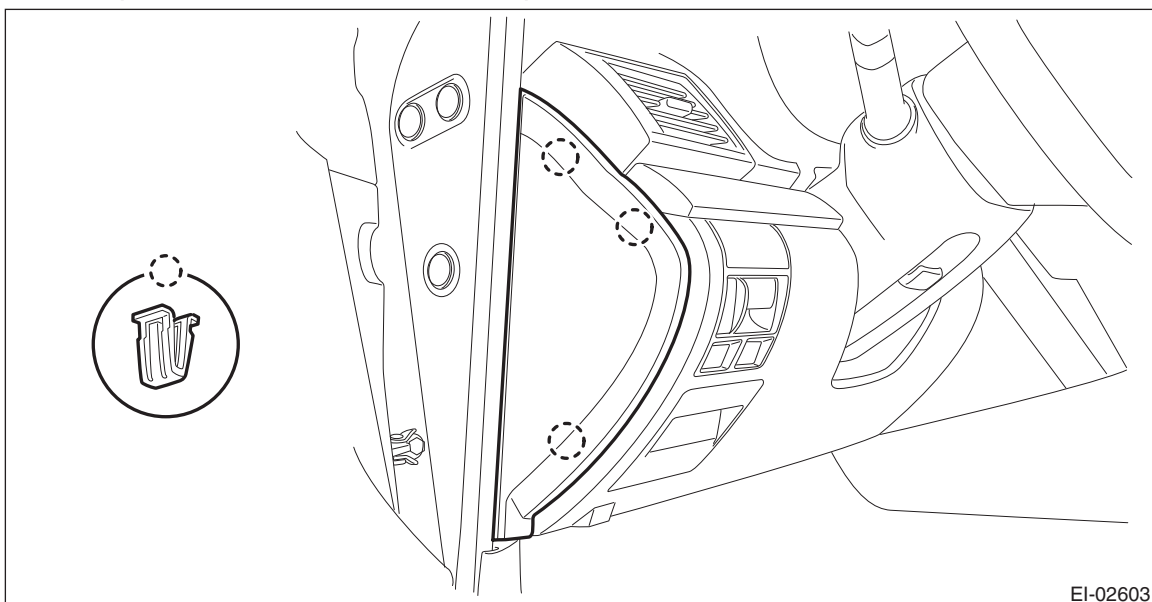
NOTE:

Turn over the front center pocket mat (a) and pull up the console front cover from the slit.

3. Disconnect the harness connector and remove the console front cover assembly.
- 3) Release the claws and remove the seat heater switch from the back of console front cover.

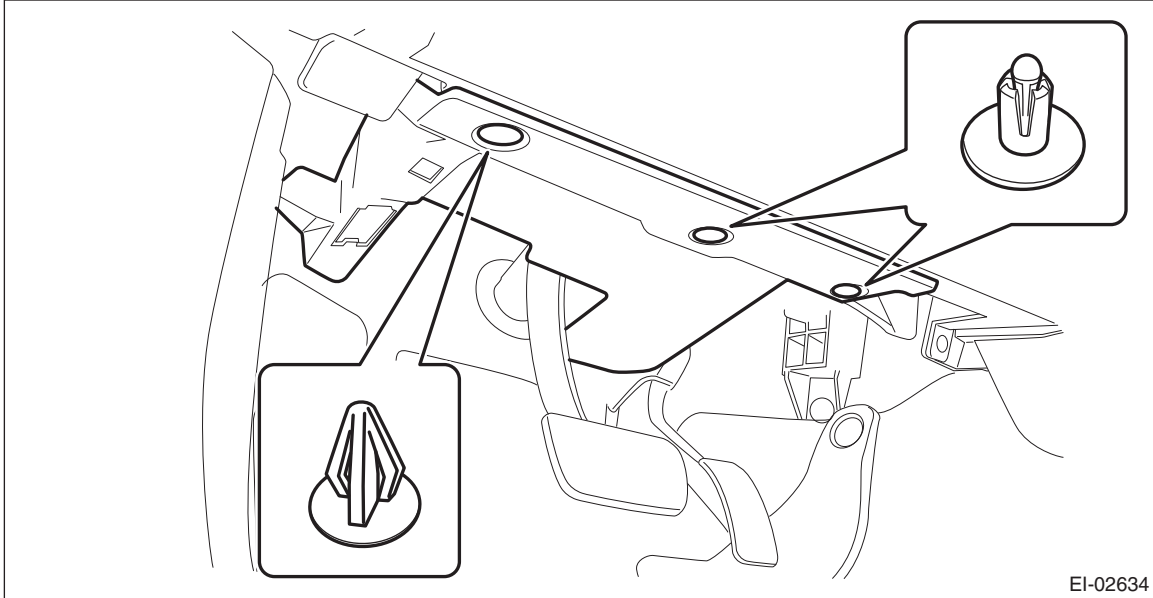
3. SEAT HEATER RELAY AND FUSE

- 1) Disconnect the ground cable from battery.
- 2) Remove the clips, and remove the instrument panel side cover LH.



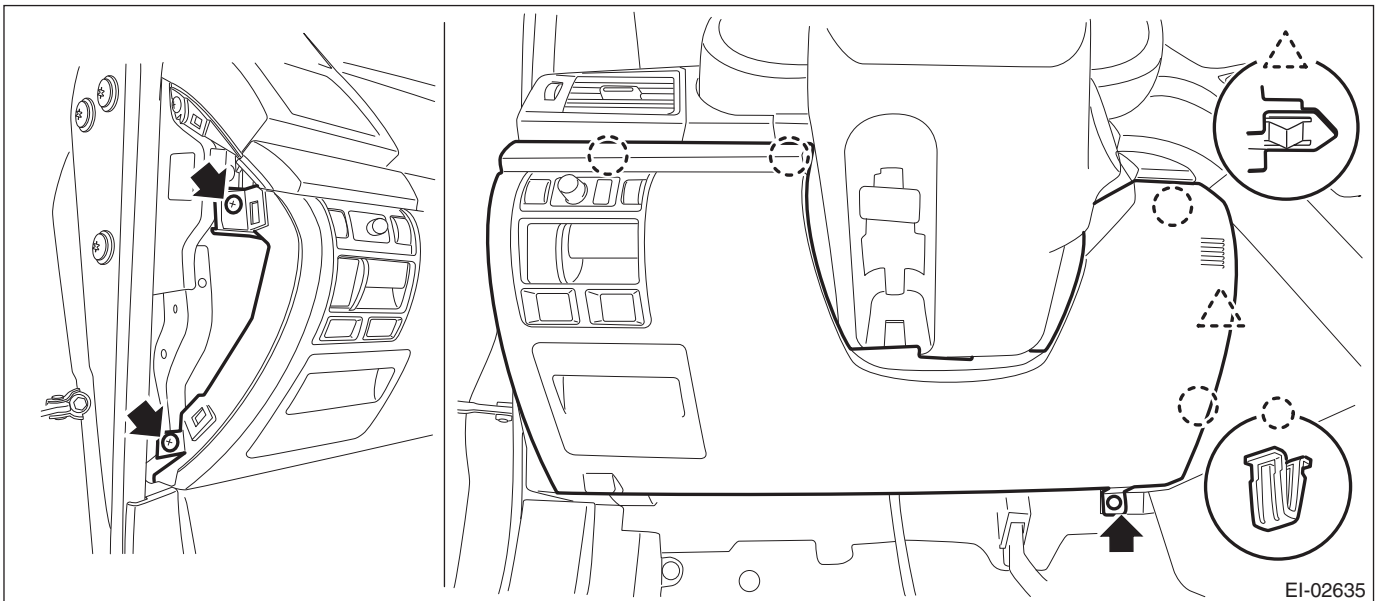
- 3) Remove the instrument panel lower cover.

- (1) Remove the clips and data link connector, and remove the instrument panel lower cover under.



EI-02634

- (2) Remove the screws and clips and release the claws, and remove the instrument panel lower cover while disconnecting the harness connectors.



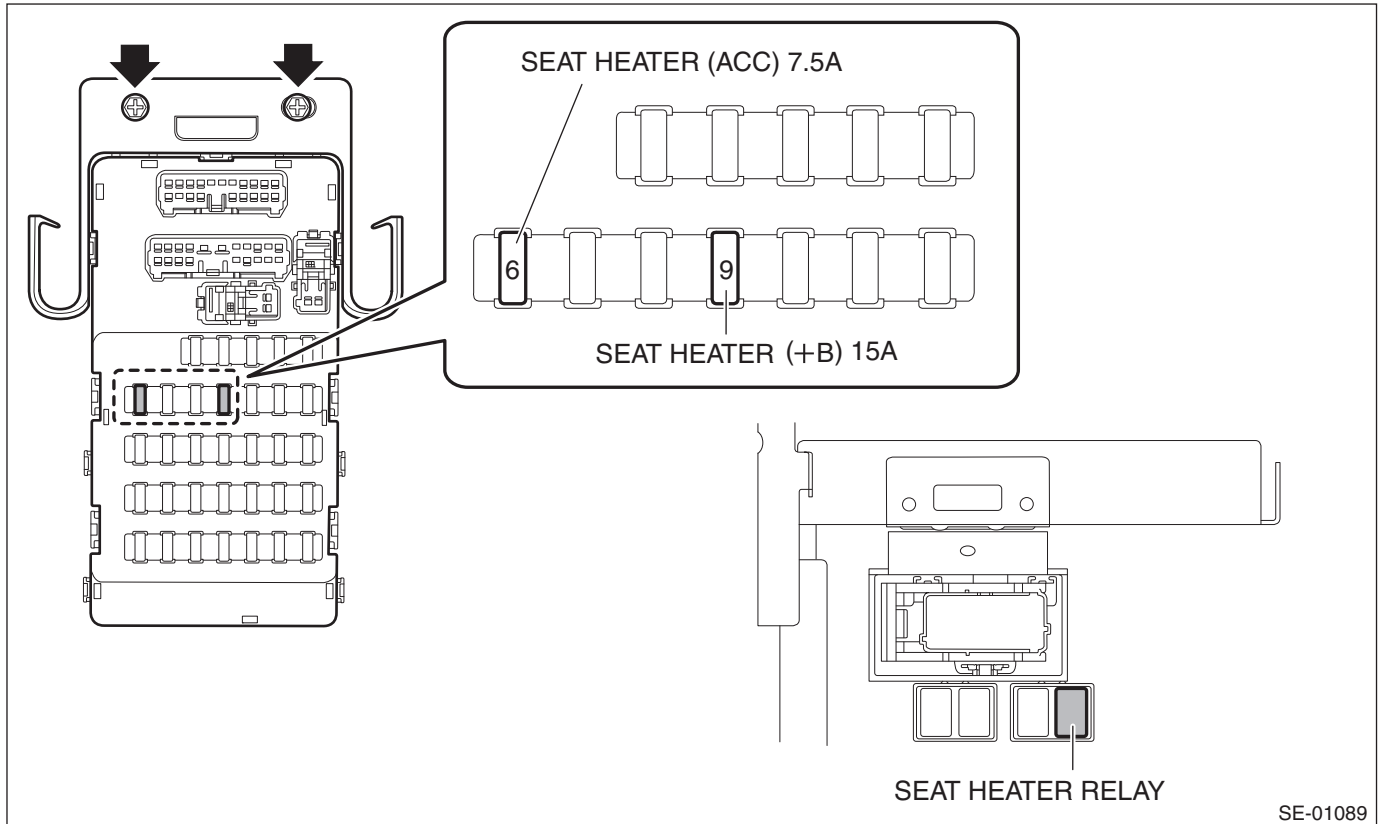
EI-02635

- 4) Remove the seat heater relay and fuse.
(1) Remove the joint box bolts.

Seat Heater System

SEATS

(2) Remove the seat heater relay



B: INSTALLATION

Install each part in the reverse order of removal.

C: INSPECTION

1. WIRING DIAGRAM

Refer to "Seat Heater System" in the wiring diagram. <Ref. to WI-207, WIRING DIAGRAM, Seat Heater System.>

2. DIAGNOSTIC CHART

Symptoms	Repair order
Seat heater does not operate.	1. Check the fuse. <Ref. to SE-66, CHECK SEAT HEATER FUSE, INSPECTION, Seat Heater System.>
	2. Check the seat heater relay. <Ref. to SE-67, CHECK SEAT HEATER RELAY, INSPECTION, Seat Heater System.>
	3. Check the seat heater switch. <Ref. to SE-67, CHECK SEAT HEATER SWITCH, INSPECTION, Seat Heater System.>
	4. Check the power supply and ground circuit for the seat heater system. <Ref. to SE-67, CHECK POWER SUPPLY AND GROUND CIRCUIT, INSPECTION, Seat Heater System.>

3. CHECK SEAT HEATER FUSE

Remove the seat heater fuse and inspect visually.

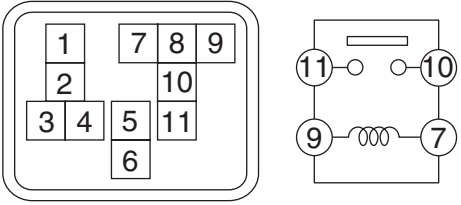
Is the fuse blown out?

- **Yes** → Replace the fuse.
- **No** → Check the power supply and ground circuits.

4. CHECK SEAT HEATER RELAY

- 1) Remove the seat heater relay from the relay holder.
- 2) Measure the resistance between seat heater relay terminals.

Preparation tool: Circuit tester

Terminal No.	Inspection conditions	Specifica- tion	Circuit
11 — 10	Always	1 MΩ or more	 <p style="text-align: right; font-size: small;">SE-01016</p>
11 — 10	Apply battery voltage between terminals 9 — 7.	Less than 1 Ω	

- 3) Replace the seat heater relay if the inspection result is not within the standard value.

5. CHECK SEAT HEATER SWITCH

1) CHECK SEAT HEATER SWITCH

- (1) Turn the ignition switch to ON.
- (2) Measure the voltage between the seat heater switch and chassis ground when turning the switch to a position other than OFF.

Connector & terminal

LHD side seat

(R42) No. 4 (+) — Chassis ground (-):

RHD side seat

(R45) No. 4 (+) — Chassis ground (-):

Does the voltage fluctuate between 12 V ↔ 0 V?

- **Yes** → Harness faulty, open circuit of heater or thermostat faulty.
- **No** → Replace the seat heater switch.

6. CHECK POWER SUPPLY AND GROUND CIRCUIT

1) CHECK POWER SUPPLY CIRCUIT.

- (1) Disconnect the seat heater switch.
- (2) Turn the ignition switch to ON.
- (3) Measure the voltage between harness connector terminal and chassis ground.

Connector & terminal

Driver's side

(R42) No. 4 (+) — Chassis ground (-):

Passenger's side

(R45) No. 4 (+) — Chassis ground (-):

Is the voltage 12 V or more?

- **Yes** → Go to step 2.
- **No** → Check the harness between the seat heater switch and fuse.

Seat Heater System

SEATS

2) CHECK GROUND CIRCUIT.

Measure the resistance between harness connector terminal and chassis ground.

Connector & terminal

Driver seat (manual seat)

(R42) No. 6 — Chassis ground:

(R41) No. 1 — Chassis ground:

Passenger seat (manual seat)

(R45) No. 6 — Chassis ground:

(R44) No. 1 — Chassis ground:

Driver seat (power seat)

(R42) No. 6 — Chassis ground:

(R380) No. 1 — Chassis ground:

Passenger seat (power seat)

(R45) No. 6 — Chassis ground:

(R363) No. 1 — Chassis ground:

Is the resistance less than 10 Ω ?

- **Yes** → The power supply and ground circuits are normal.
- **No** → Repair the harness.