

# Front Outer Handle

## SECURITY AND LOCKS

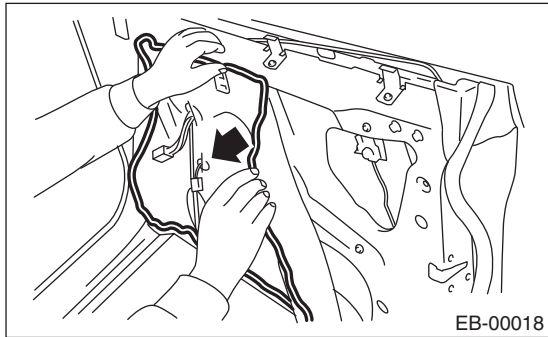
### 7. Front Outer Handle

#### A: REMOVAL

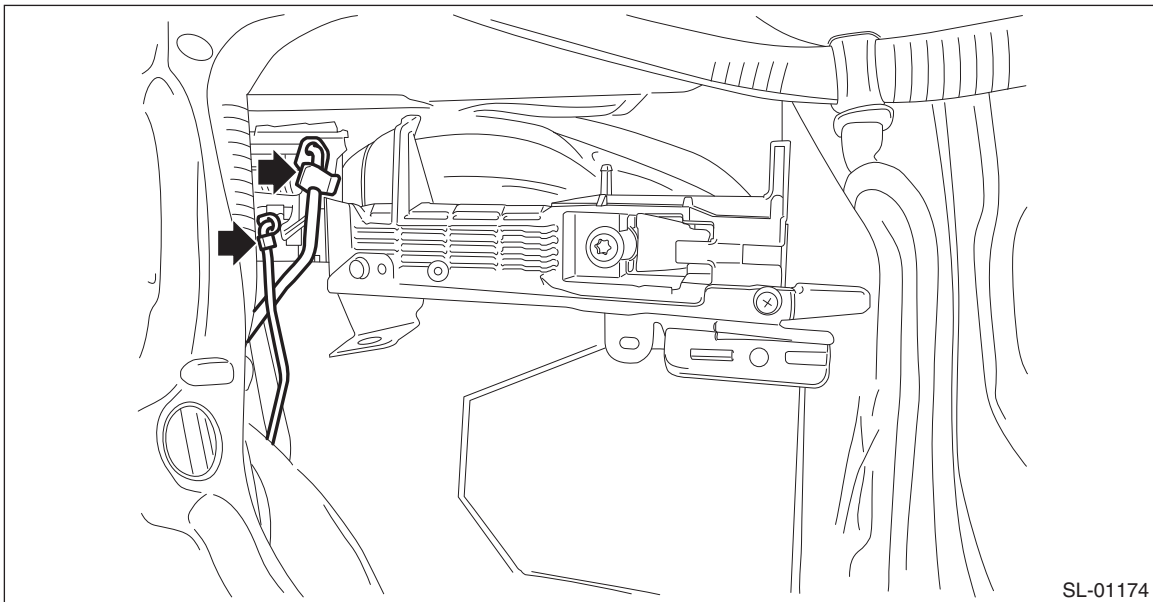
- 1) Raise the front door glass to the top position.
- 2) Remove the door trim. <Ref. to EI-60, REMOVAL, Door Trim.>
- 3) Remove the sealing cover.

#### CAUTION:

- Carefully remove the butyl tape. Excessive force will easily break the cover.
- If the sealing cover gets broken, replace it with a new part.



- 4) Release the rod from the rod clamp of outer handle.

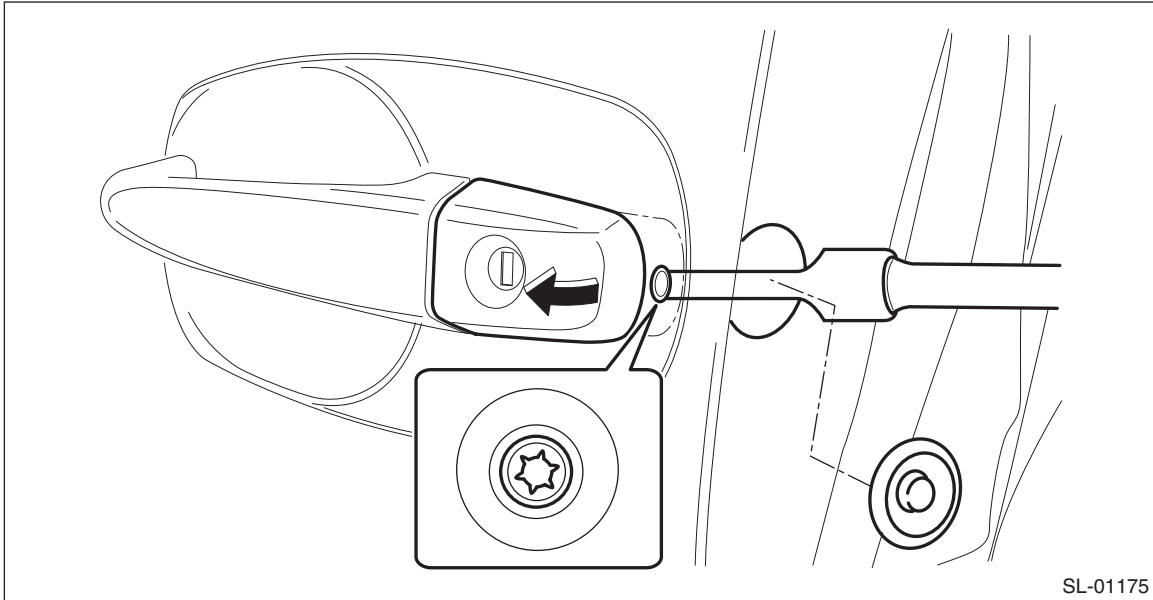


- 5) Remove the door outer handle cover.

#### **Preparation tool: TORX® T30**

- (1) Remove the plug to the rear of the door panel.

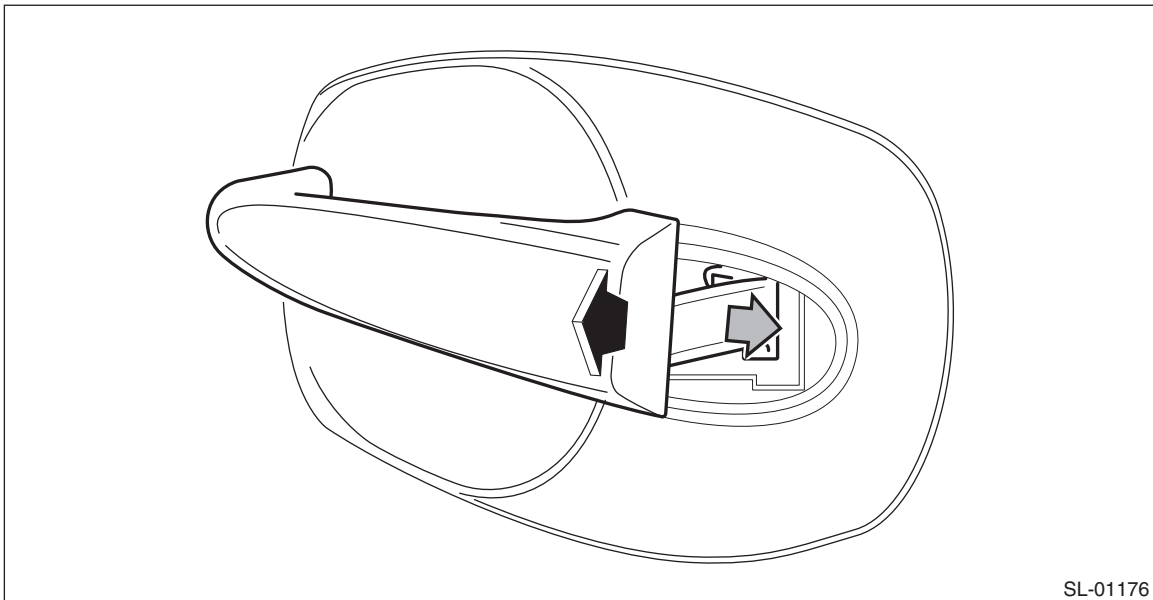
(2) Loosen the TORX® bolt and remove the door outer handle cover.



6) Move the front outer handle to the rear and remove the front outer handle.

**CAUTION:**

**Do not apply excessive force to remove the handle from the door panel. The door panel may become deformed.**



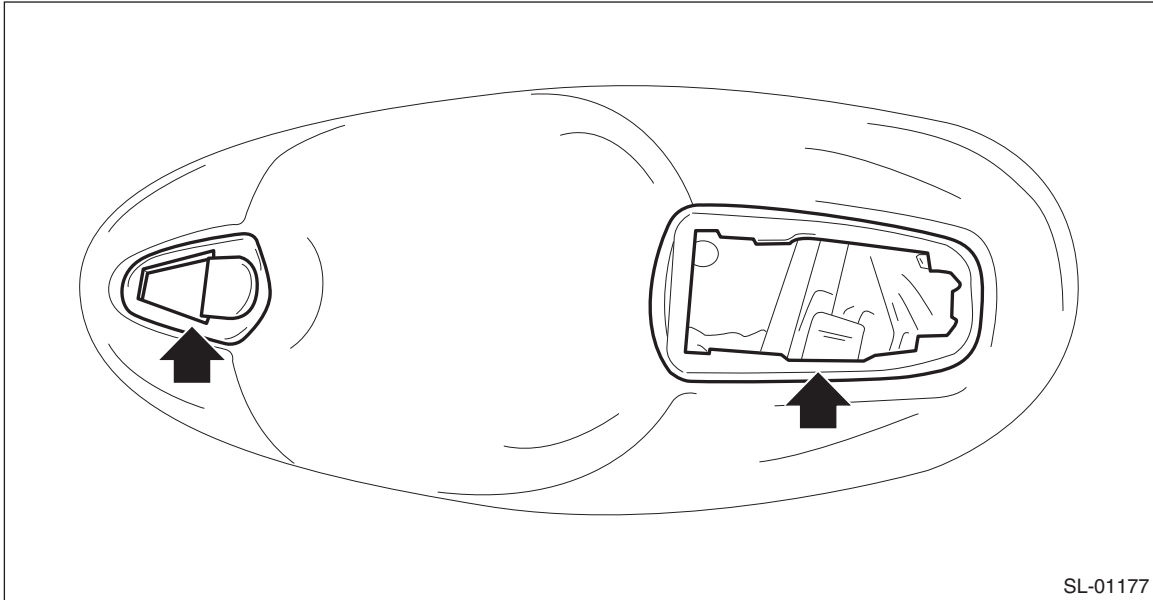
7) Remove the frame assembly.

**Preparation tool: TORX® T30**

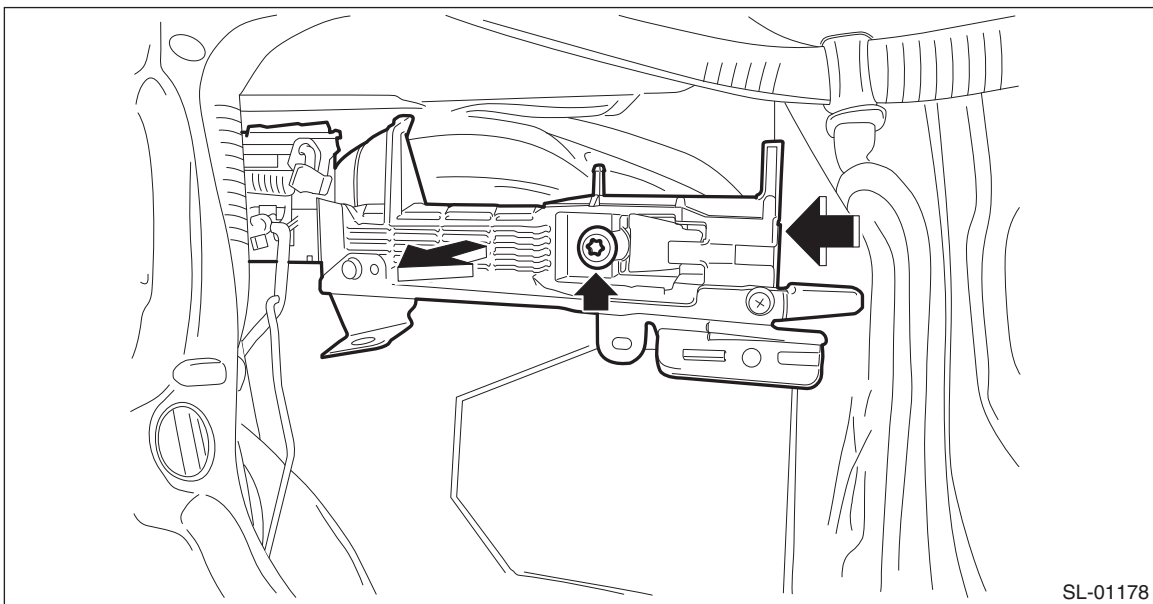
## Front Outer Handle

### SECURITY AND LOCKS

- (1) Remove the outer spacer.



- (2) Loosen the TORX® bolt and remove the frame assembly from the door panel.



### B: INSTALLATION

- 1) Before installation, check the following items.

- Rod is free from deformation.
- Grease is applied sufficiently to rod joints.

If grease is insufficient, add it as necessary before assembling the rod.

- 2) Install each part in the reverse order of removal.

#### **Tightening torque:**

**Refer to "COMPONENT" of "General Description". <Ref. to SL-2, DOOR LOCK ASSEMBLY, COMPONENT, General Description.>**

### C: INSPECTION

Check if the front outer handle operates normally.

- If the lever is faulty, replace the front outer handle.
- If the rod is deformed, replace the front door latch & door lock actuator assembly.