

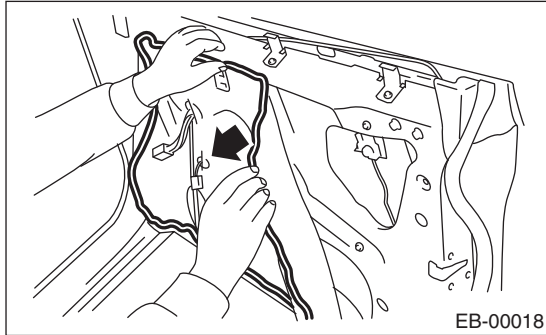
8. Front Door Latch and Door Lock Actuator Assembly

A: REMOVAL

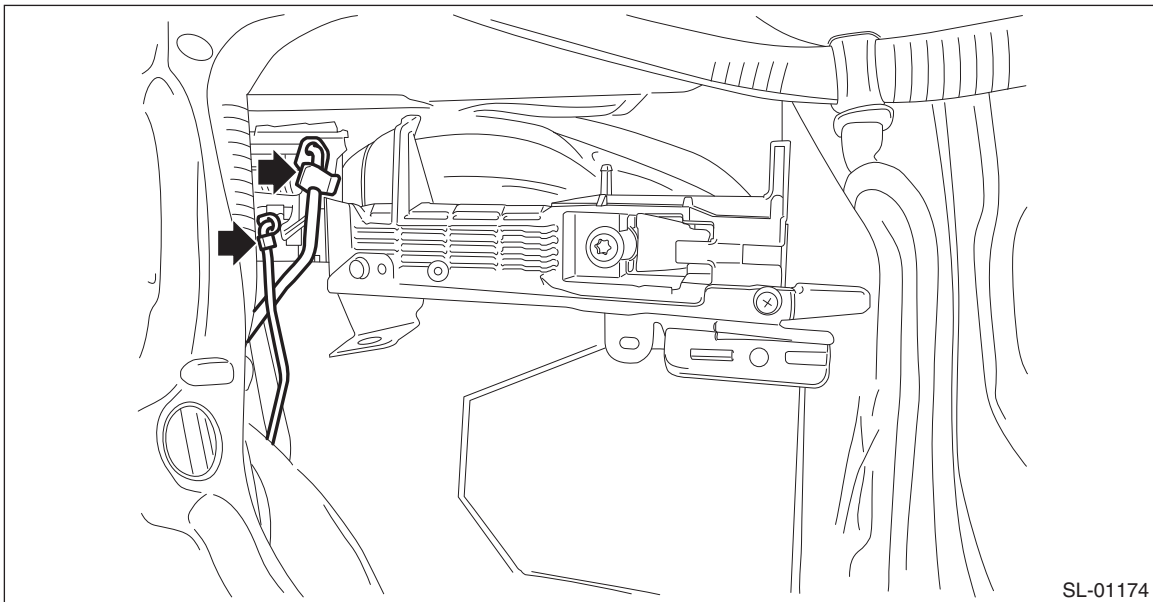
- 1) Raise the front door glass to the top position.
- 2) Remove the front door trim. <Ref. to EI-60, REMOVAL, Door Trim.>
- 3) Remove the sealing cover.

CAUTION:

- Carefully remove the butyl tape. Excessive force will easily break the cover.
- If the sealing cover gets broken, replace it with a new part.



- 4) Release the rod from the rod clamp of outer handle.

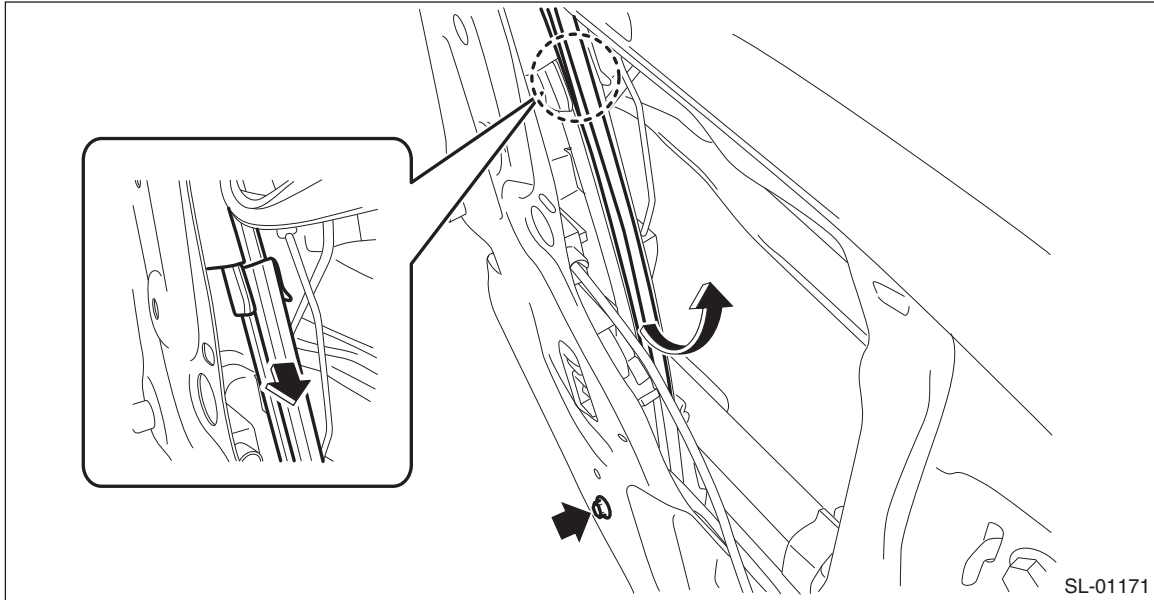


- 5) Remove the rear sash lower.
 - (1) Remove the lower side of the glass run rubber.

Front Door Latch and Door Lock Actuator Assembly

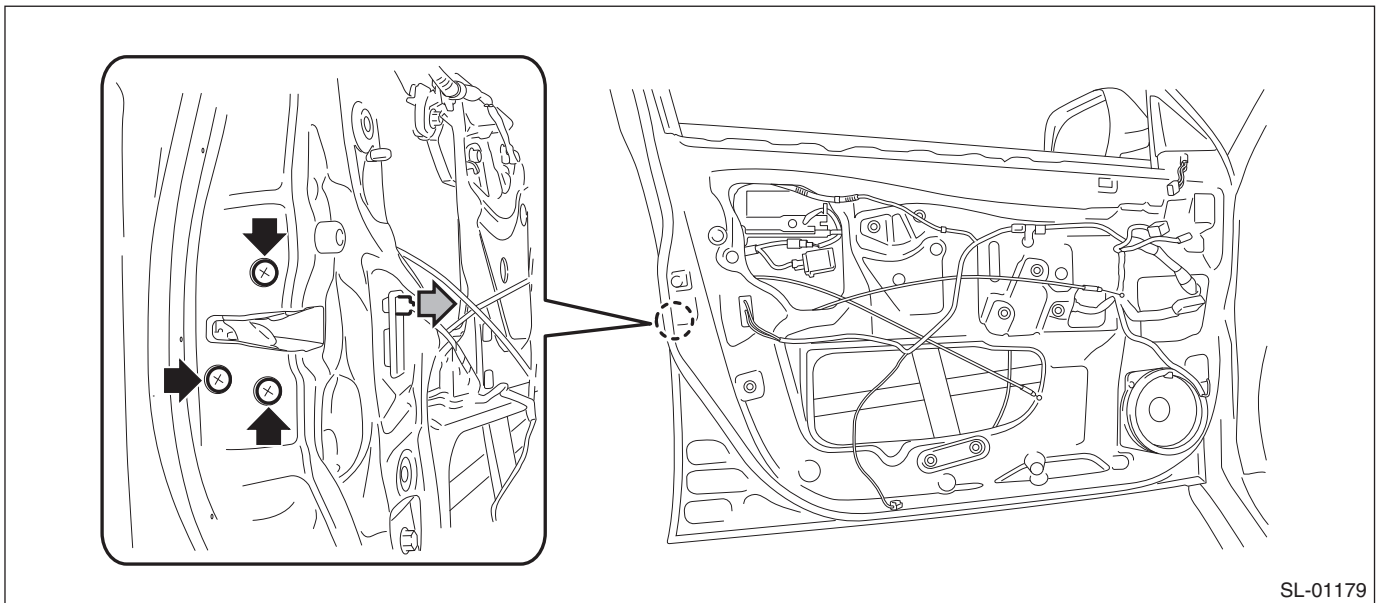
SECURITY AND LOCKS

- (2) Remove the bolt and remove the rear sash lower.



- 6) Remove the front door latch and door lock actuator assembly.

- (1) Disconnect the connector.
(2) Remove the screws, and remove the front door latch & door lock actuator assembly.



B: INSTALLATION

- 1) Before installation, check the following items.

- Cable and rod are free from deformation.
- Grease is applied sufficiently to rod joints.

If grease is insufficient, add it as necessary before assembling the rod.

- 2) Install each part in the reverse order of removal.

Tightening torque:

Refer to "COMPONENT" of "General Description". <Ref. to SL-2, DOOR LOCK ASSEMBLY, COMPONENT, General Description.>

C: INSPECTION

1. FRONT DOOR LATCH

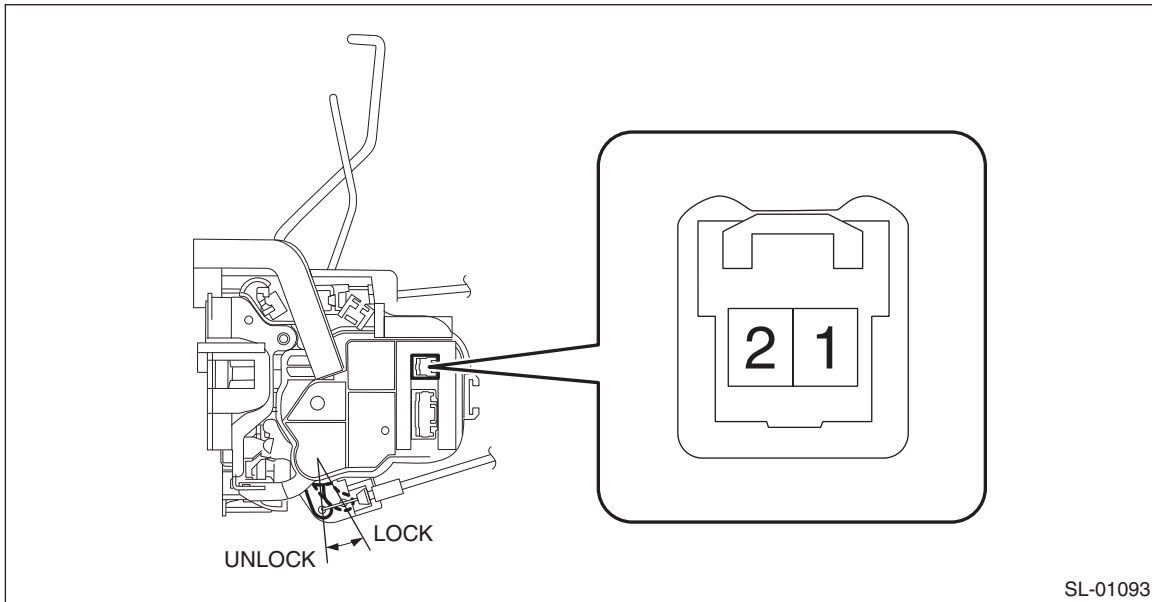
Check if the front door latch operates normally.

- If the cable or rod is faulty, replace the front door latch & door lock actuator assembly.

2. FRONT DOOR LOCK ACTUATOR

1) Disconnect the front door lock actuator connector.

2) Check the door lock operation by applying battery voltage between the terminals of front door lock actuator.



Inspection conditions	Terminal No.	
	1	2
LOCK → UNLOCK	-	+
UNLOCK → LOCK	+	-

3) If the actuator does not operate normally, replace the front door latch & door lock actuator assembly.