

Rear Gate Opener Button

SECURITY AND LOCKS

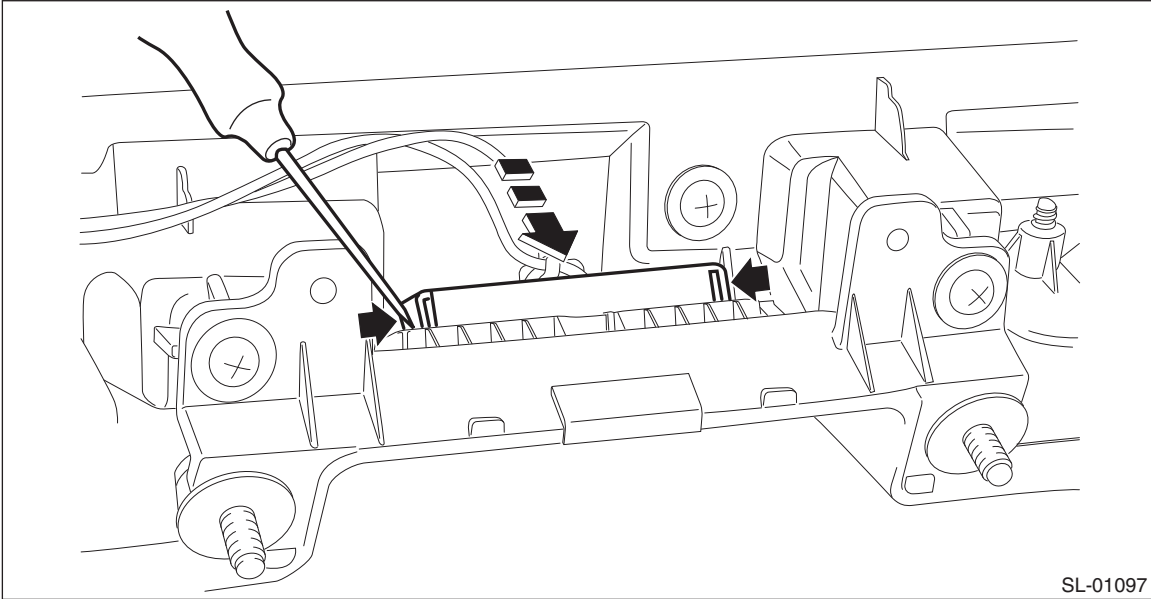
12.Rear Gate Opener Button

A: REMOVAL

NOTE:

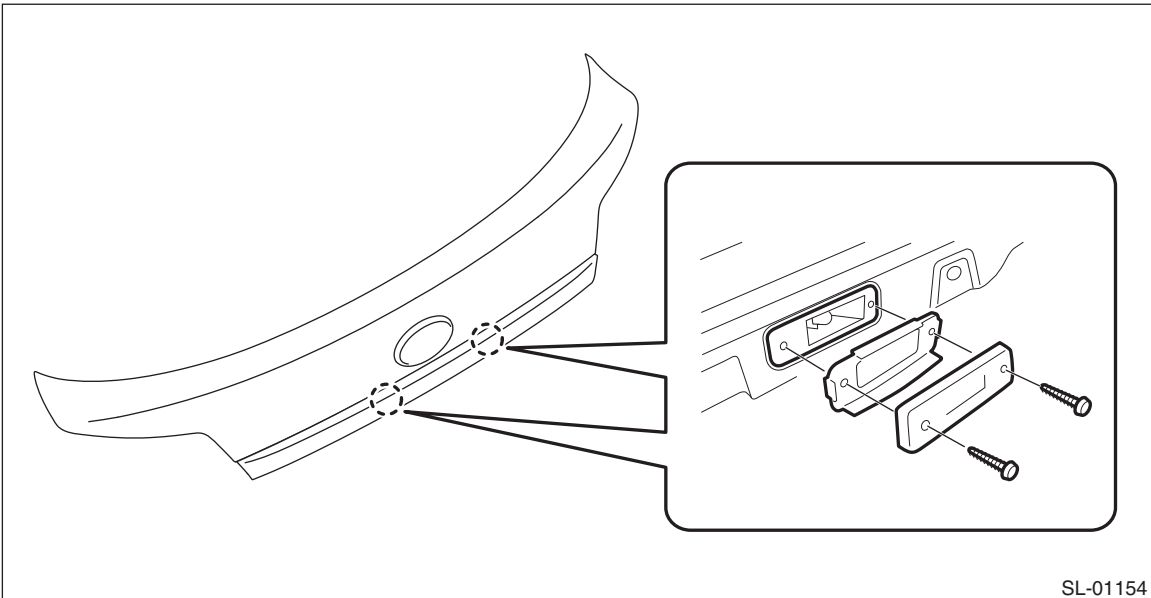
The rear gate opener button is integrated into the license plate light assembly harness.

- 1) Remove the rear gate trim. <Ref. to EI-157, REMOVAL, Rear Gate Trim.>
- 2) Remove the rear gate garnish. <Ref. to EI-161, REMOVAL, Rear Gate Garnish.>
- 3) Remove the rear gate opener button.
 - (1) Release the locks at both ends of the rear gate opener button by pushing with a flat tip screwdriver.



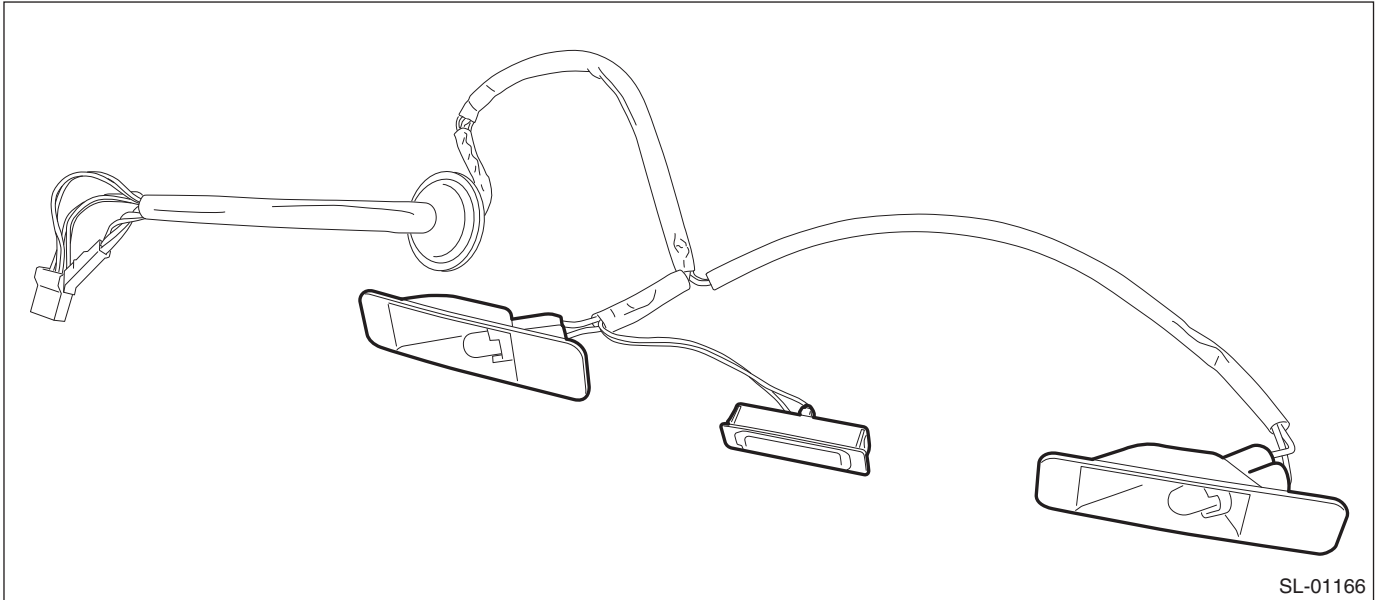
SL-01097

- (2) Remove the screws and remove the license plate light.



SL-01154

(3) Remove the license plate light assembly harness from the rear gate garnish.



B: INSTALLATION

CAUTION:

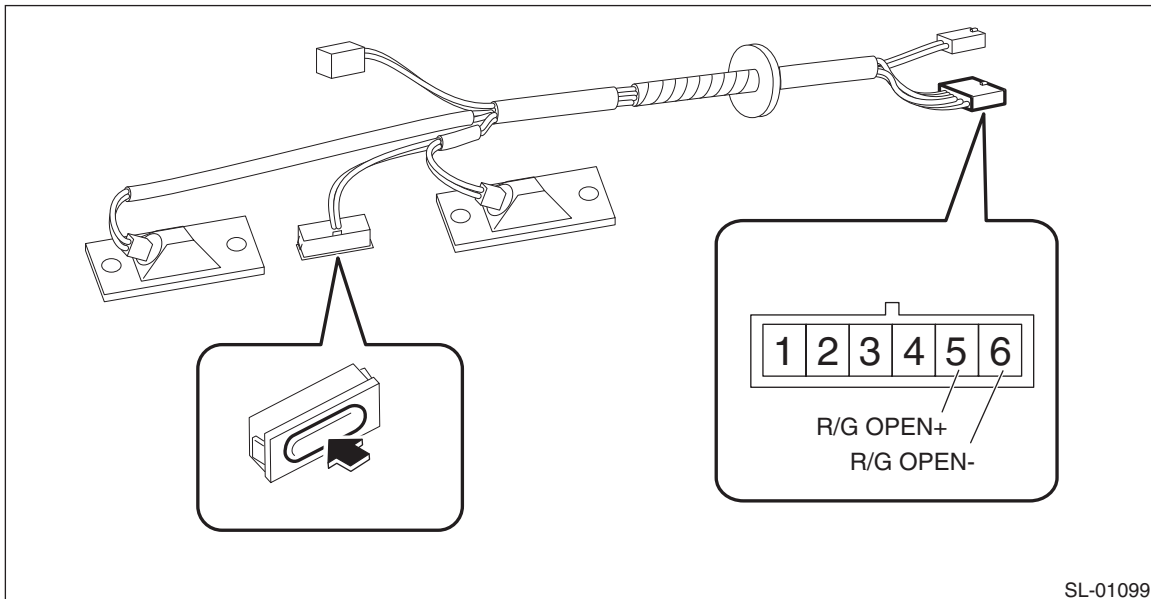
Make sure that the harness grommet is installed securely. Incomplete installation causes water leak.

Install each part in the reverse order of removal.

C: INSPECTION

- 1) Disconnect the rear gate opener button connector.
- 2) Measure the resistance between rear gate opener button terminals.

Preparation tool: Circuit tester



Terminal No.	Inspection conditions	Specification
5 — 6	Open	Less than 1 Ω
	Close	1 MΩ or more

3) Replace the rear gate opener button if the inspection result is not within the standard value.