

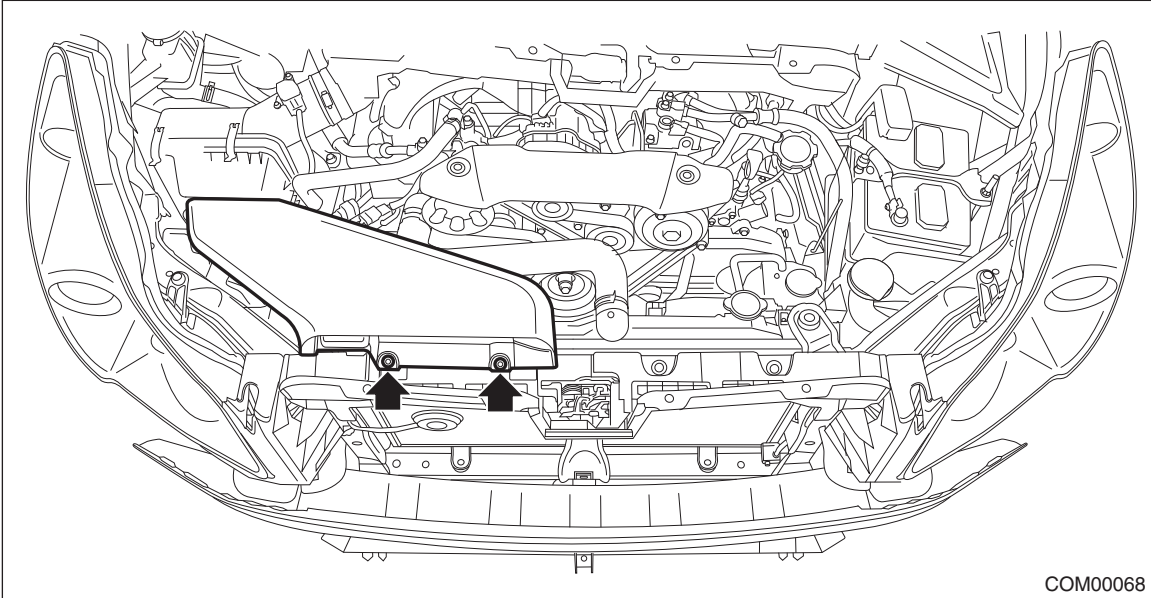
# Front Hood Lock Assembly

## SECURITY AND LOCKS

### 16. Front Hood Lock Assembly

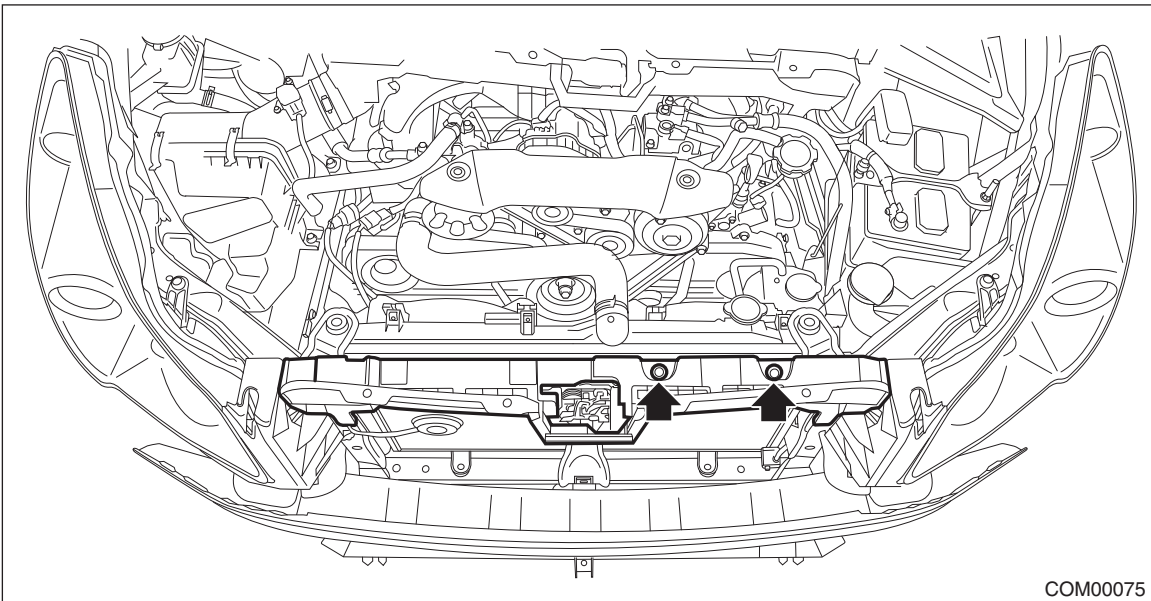
#### A: REMOVAL

- 1) Open the front hood.
- 2) Remove the front bumper face. <Ref. to EI-39, REMOVAL, Front Bumper.>
- 3) Remove the clips and remove the air intake duct.



COM00068

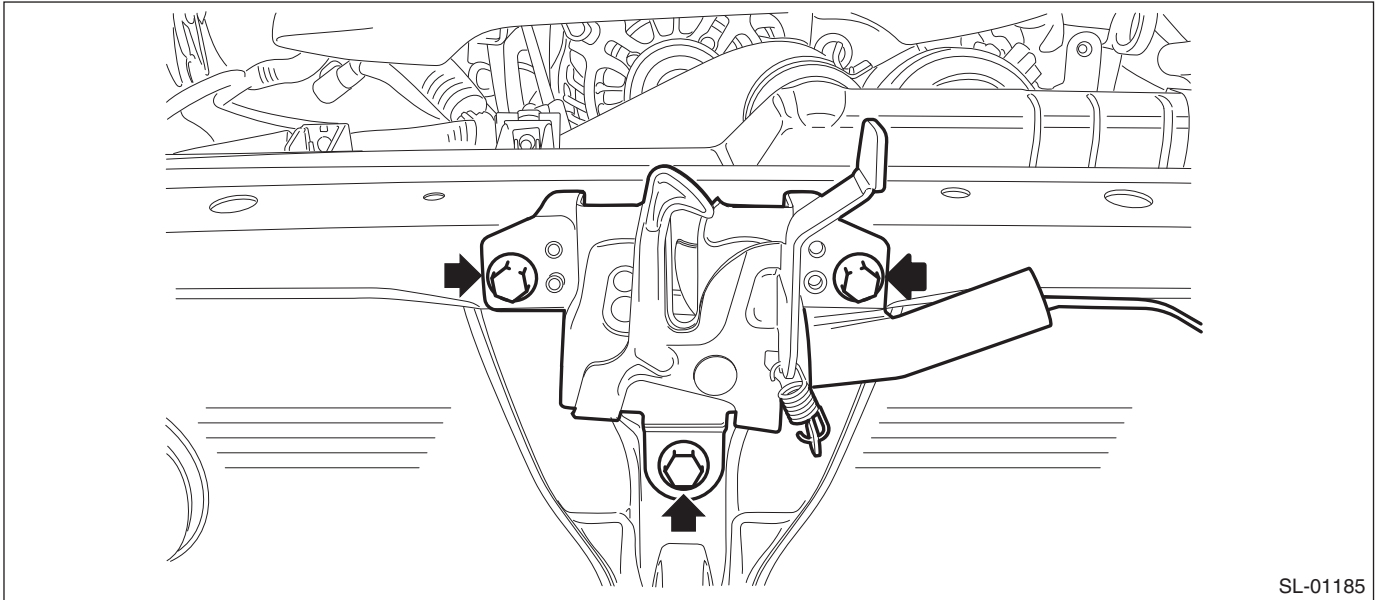
- 4) Remove the clips and remove the grille bracket.



COM00075

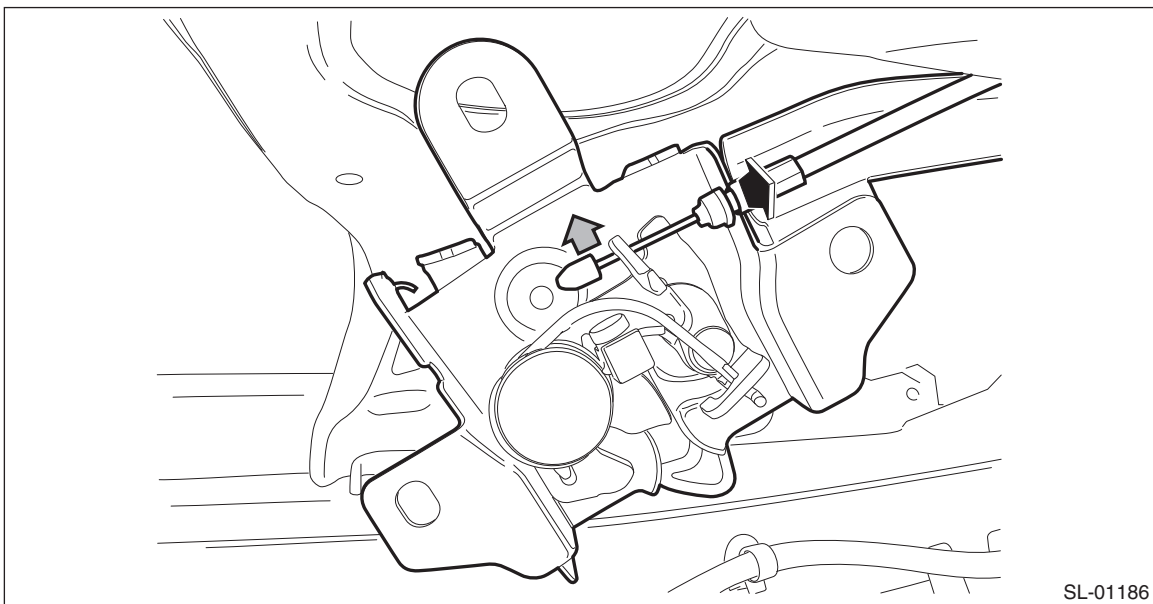
- 5) Remove the front hood lock assembly.

(1) Remove the bolt.



SL-01185

(2) Remove the release cable, and detach the front hood lock assembly.



SL-01186

## B: INSTALLATION

1) Before installation, check the following items.

- Grease is applied sufficiently to cable joints.

If grease is insufficient, add it as necessary before assembling the cable.

2) Install each part in the reverse order of removal.

### **Tightening torque:**

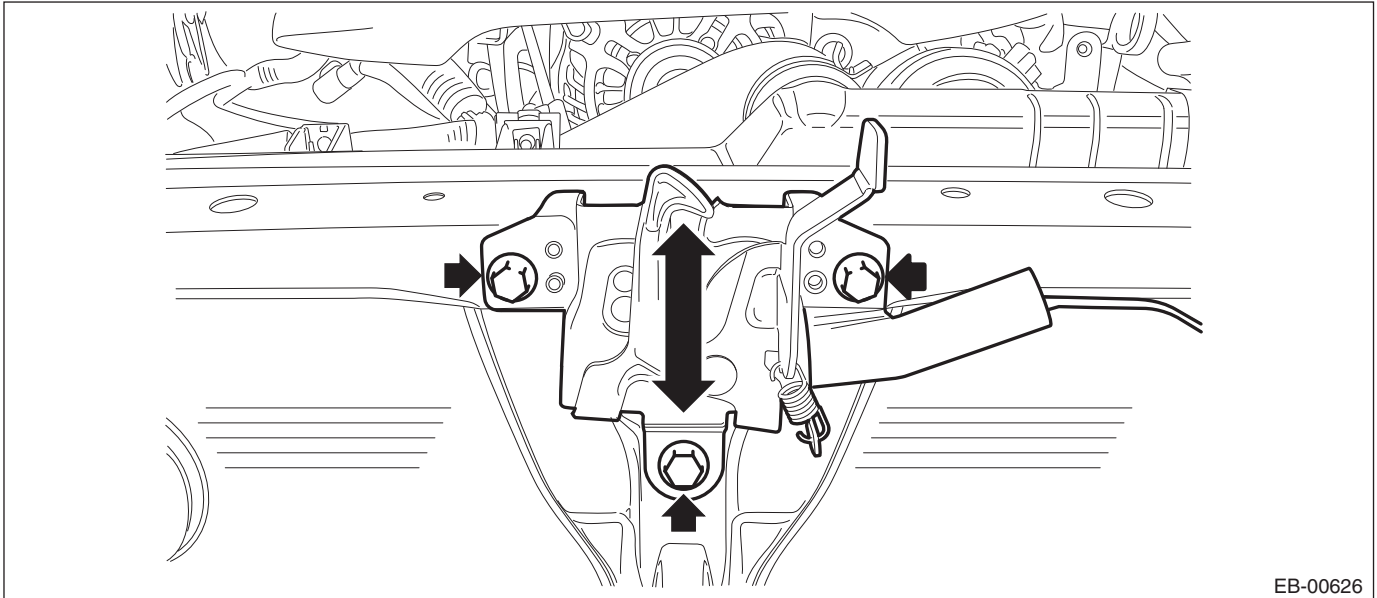
**Refer to "COMPONENT" of "General Description". <Ref. to SL-4, FRONT HOOD LOCK AND REMOTE OPENERS, COMPONENT, General Description.>**

# Front Hood Lock Assembly

## SECURITY AND LOCKS

### C: ADJUSTMENT

1) Loosen the bolt, and adjust the lock assembly while moving it up and down.



2) After adjustment, tighten the bolts securely.

#### **Tightening torque:**

**Refer to "COMPONENT" of "General Description". <Ref. to SL-4, FRONT HOOD LOCK AND REMOTE OPENERS, COMPONENT, General Description.>**

### D: INSPECTION

Check if the front hood lock ASSY operates normally.

If latch deformation, abnormal wear, or unsmooth lock operation is observed, replace the front hood lock assembly.