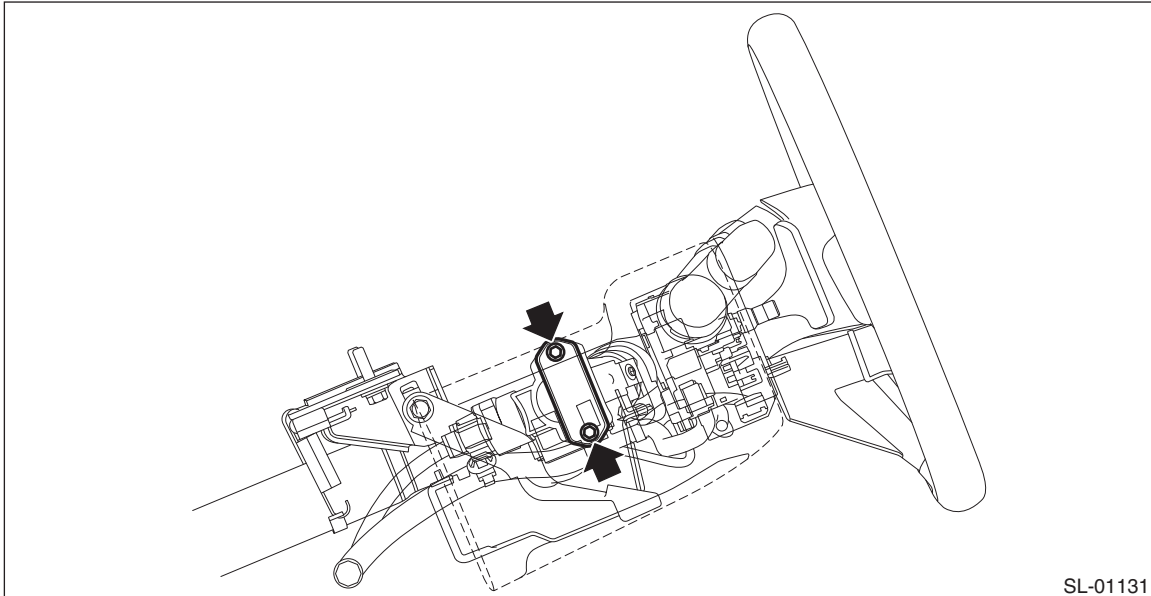


18. Ignition Key Lock

A: REPLACEMENT

- 1) Disconnect the ground cable from battery.
- 2) Remove the steering column. <Ref. to PS-20, REMOVAL, Steering Column.>
- 3) Remove the ignition key lock.
 - (1) Secure the steering column in a vise.
 - (2) Drill out the bolts and remove the ignition key lock.



- 4) Install the ignition key lock.
 - (1) Secure the ignition key lock to the steering column.
 - (2) Use new bolts. Tighten the bolt until the bolt head is broken (bolt head wrenched off).

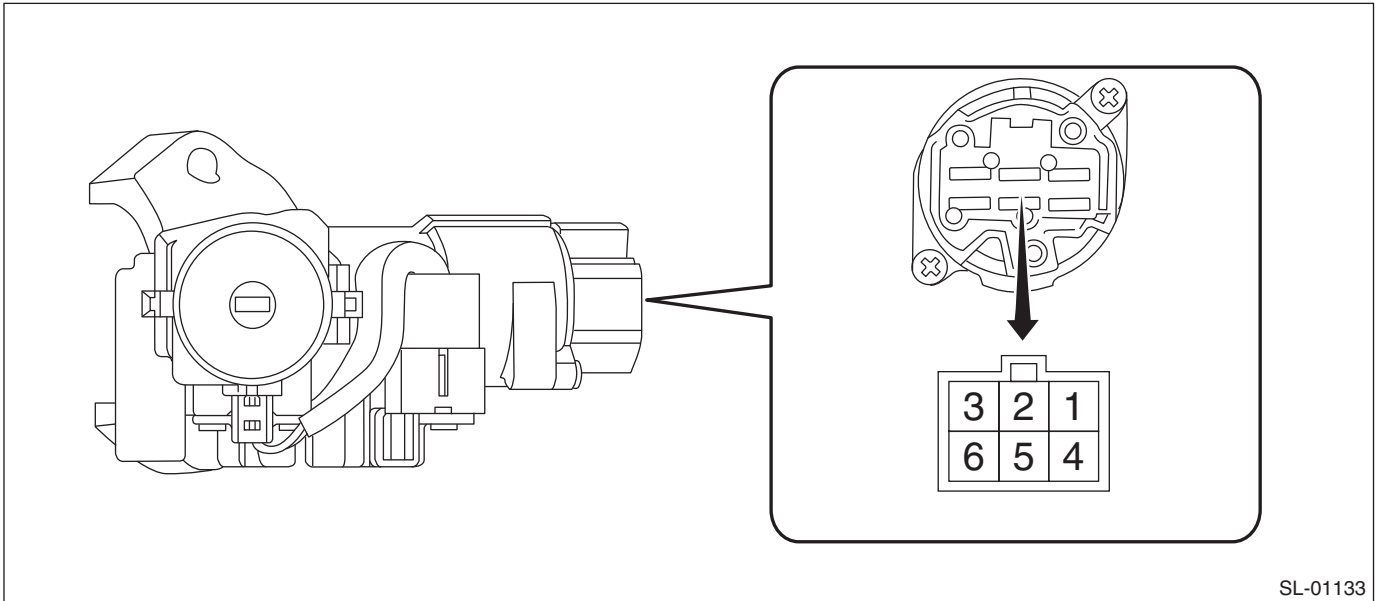
Ignition Key Lock

SECURITY AND LOCKS

B: INSPECTION

- 1) Disconnect the ignition switch connector.
- 2) Measure the resistance between ignition switch terminals.

Preparation tool: Circuit tester



SL-01133

Terminal No.	Inspection Conditions	Specification
—	LOCK	—
3 — 5	ACC	Less than 1 Ω
3 — 1, 4 3 — 5	ON	Less than 1 Ω
3 — 2, 6 3 — 1, 4	ST	Less than 1 Ω

- 3) Replace the ignition switch if the inspection result is not within the standard value.