

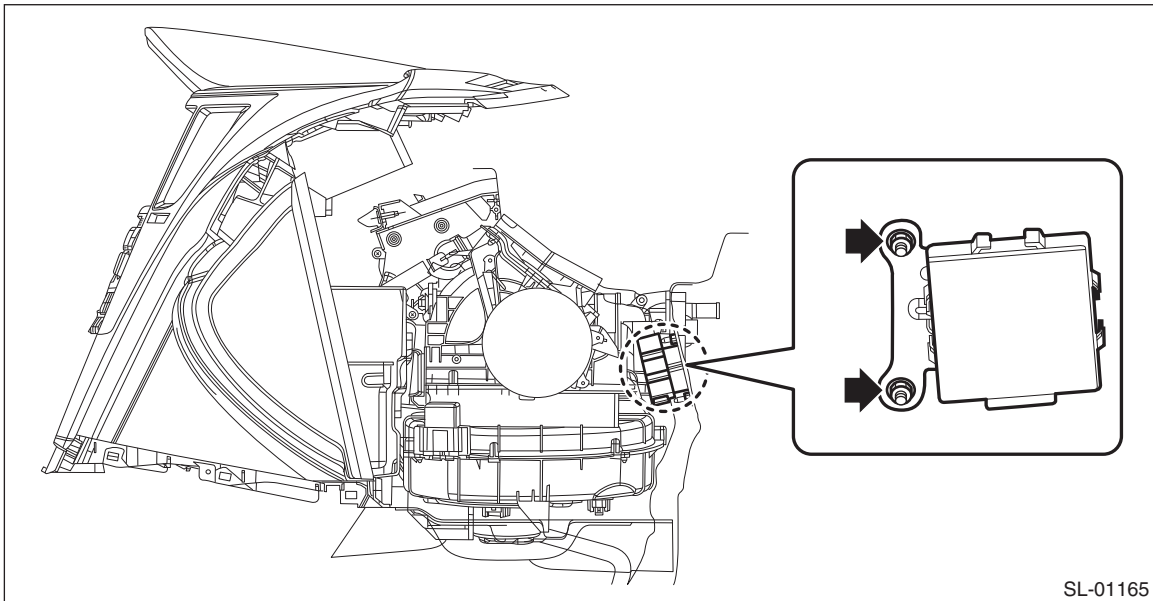
Security Control Module

SECURITY AND LOCKS

20.Security Control Module

A: REMOVAL

- 1) Remove the heater and cooling unit. <Ref. to AC-54, REMOVAL, Heater and Cooling Unit.>
- 2) Remove the security control module.
 - (1) Disconnect the connector.
 - (2) Remove the nuts, and remove the security control module.



SL-01165

B: INSTALLATION

Install each part in the reverse order of removal.

Tightening torque:

Security control module: 7.5 N·m (0.76 kgf·m, 5.5 ft·lb)