

25. Keyless Transmitter

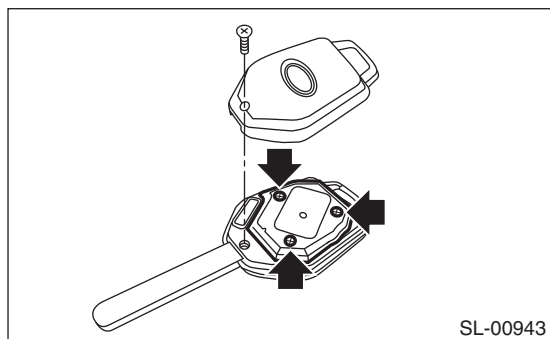
A: REMOVAL

1. KEYLESS TRANSMITTER BATTERY

CAUTION:

To prevent static electricity damage to the keyless transmitter printed circuit board, touch the steel area of building with hand to discharge static electricity carried on body or clothes before disassembling the keyless transmitter.

Remove the screw from the keyless transmitter, then remove the keyless transmitter battery.



B: INSTALLATION

1. KEYLESS TRANSMITTER BATTERY

Install each part in the reverse order of removal.

C: INSPECTION

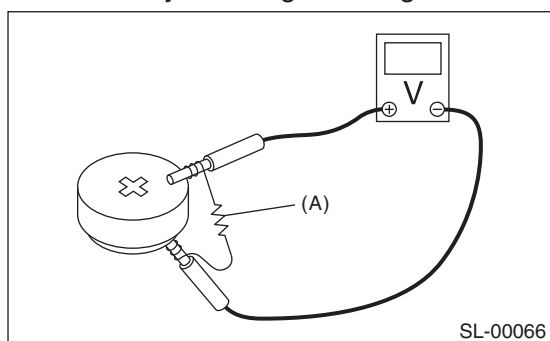
1. KEYLESS TRANSMITTER BATTERY

Check the keyless transmitter battery voltage.

Preparation tool: Circuit tester

NOTE:

Complete the measurement within 5 seconds because the battery discharges during measurement.



Battery terminal	Inspection Conditions	Specification
(+) — (-)	Connect resistor (A) 47 Ω	2.5 — 3.0 V

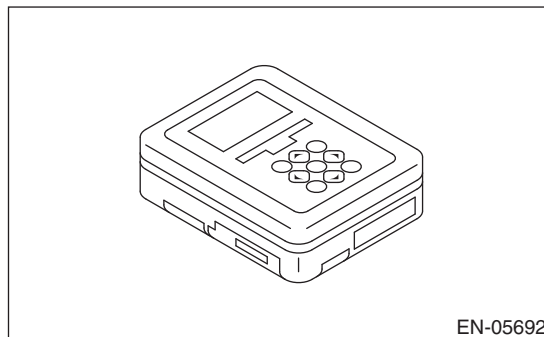
Replace the battery if the inspection result is not within the standard value. (Use CR1620 or equivalent.)

D: REPLACEMENT

1. REGISTRATION OF KEYLESS TRANSMITTER WITH SUBARU SELECT MONITOR

NOTE:

- A maximum of four keyless transmitter can be registered for each individual vehicle.
 - When replacing or adding the keyless transmitter, new registration of transmitter is necessary.
- 1) Prepare the Subaru Select Monitor kit. <Ref. to SL-7, SPECIAL TOOL, PREPARATION TOOL, General Description.>



2) Prepare PC with Subaru Select Monitor installed.

3) Connect the USB cable to SDI (Subaru Diagnosis Interface) and USB port on the personal computer (dedicated port for the Subaru Select Monitor).

NOTE:

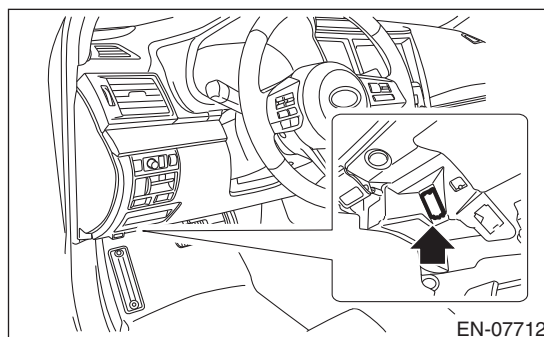
The dedicated port for the Subaru Select Monitor means the USB port which was used to install the Subaru Select Monitor.

4) Connect the diagnosis cable to SDI.

5) Connect SDI to data link connector located in the lower portion of the instrument panel (on the driver's side).

CAUTION:

Do not connect scan tools other than the Subaru Select Monitor.



6) Start the PC.

7) Turn the ignition switch to ON (engine OFF) and run the "PC application for Subaru Select Monitor".

Keyless Transmitter

SECURITY AND LOCKS

8) On the «Main Menu» of the Subaru Select Monitor, select the {Each System Check} → {Integ. unit mode} → {Keyless ID registration}.

9) Input the 8-digit ID number attached to the tag plate of the transmitter or inside the transmitter, from left to right. Press the [OK] key.

10) The ID number you have entered will be shown. Make sure that the ID number shown is the same as that of plastic bag or inside of transmitter.

11) Press the [OK] key if the ID number is correct. Press the [EXIT] key if incorrect, to return to the step 3) and enter the ID number again.

12) «ID is being registered...» is displayed and registration starts.

13) «ID registration done » will be displayed when the registration process is done.

14) To exit, select «Quit: NO» to return to {Keyless ID registration}. If there are additional keyless transmitters to be registered, select «The following are registered: OK» to return to the step 4).

NOTE:

- If the registration fails, «ID cannot register. Try again.» will be shown. Select the [OK] key to return to the {Keyless ID registration}. And retry from the step 3).
- «Quit: NO» is shown on the Subaru Select Monitor when fourth keyless transmitter has been registered. Select the [NO] key to return to {Keyless ID registration}.