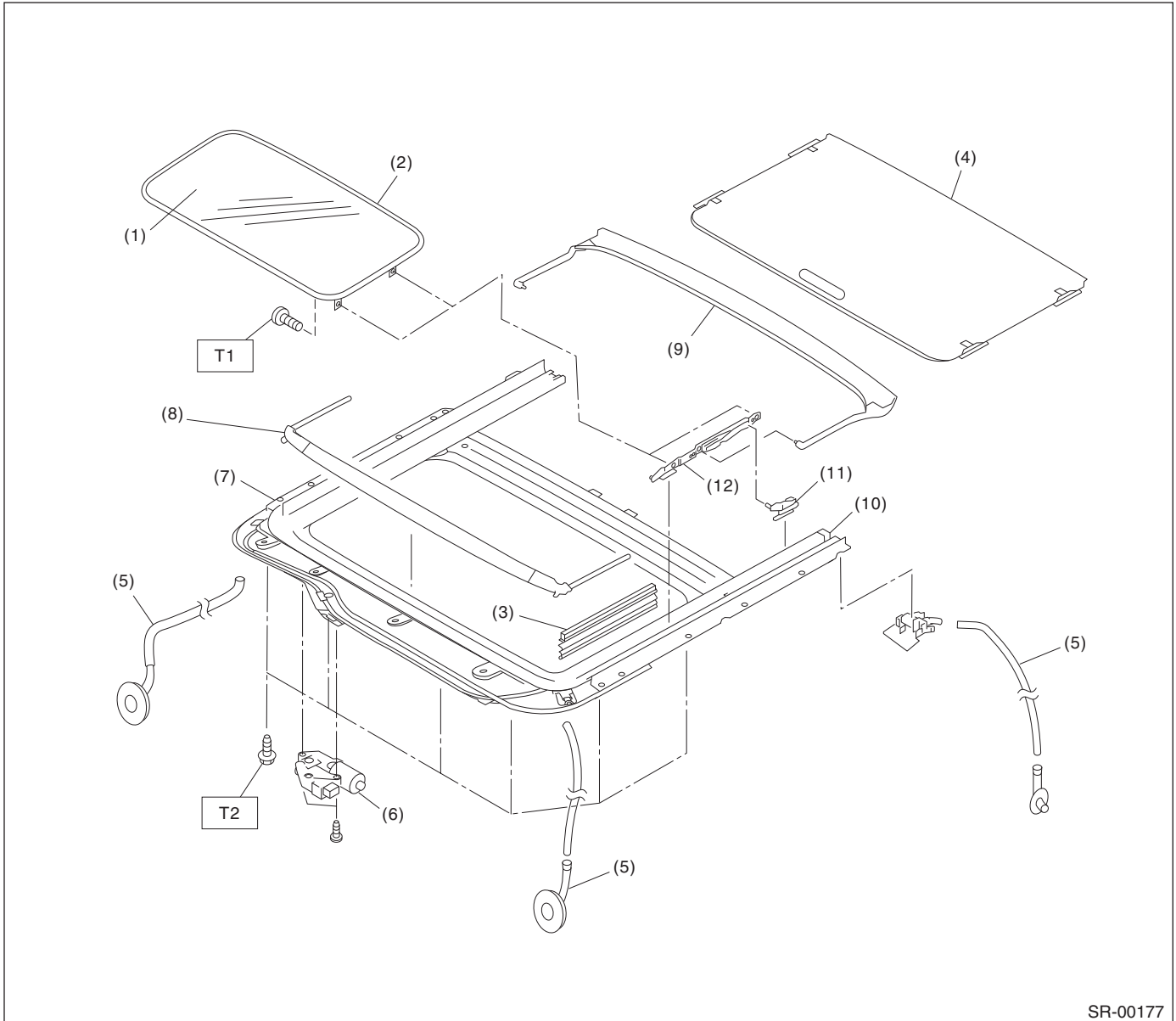


General Description

SUNROOF/T-TOP/CONVERTIBLE TOP (SUNROOF)

1. General Description

A: COMPONENT



SR-00177

- | | |
|-------------------|---------------------|
| (1) Glass lid | (7) Frame ASSY |
| (2) Weather strip | (8) Deflector |
| (3) Lid cover | (9) Drain plate |
| (4) Sunshade | (10) Stopper rubber |
| (5) Drain tube | (11) Link ASSY |
| (6) Motor ASSY | (12) Lid bracket |

Tightening torque:N-m (kgf-m, ft-lb)

T1: 4.5 (0.46, 3.3)

T2: 6.0 (0.61, 4.4)

General Description

SUNROOF/T-TOP/CONVERTIBLE TOP (SUNROOF)

B: CAUTION

- Before disassembling or reassembling parts, always disconnect the battery ground cable from battery. When replacing the radio, control module, and other parts provided with memory functions, record the memory contents before disconnecting the battery ground cable. Otherwise, the memory is cleared.
- Reassemble the parts in the reverse order of disassembly unless otherwise indicated.
- Adjust parts to the given specifications.
- Connect the connectors securely when reassembling.
- After reassembly, make sure that the functional parts operate normally.

C: PREPARATION TOOL

1. GENERAL TOOL

TOOL NAME	REMARKS
Circuit tester	Used for measuring resistance and voltage.
Hexagon wrench	Used for forcedly driving the sunroof motor.